

Installation Instructions

GTx LED Pedestrian 16x18" Incandescent Look Signal Modules

Full Hand/Person Side-by-Side & Overlay/Countdown



BEFORE YOU BEGIN

Read these instructions completely and carefully.

Prepare Electrical Wiring



Electrical Requirements

- Do not use in wet locations
- Follow all National Electric Codes (NEC) and local codes.

⚠ WARNING / AVERTISSEMENT

Risk of Electric Shock. Disconnect Before Servicing or installing product. The LED module must be installed into a signal head with adequate ingress protection for the location (protection from the weather).

Risque de choc électrique. Couper l'alimentation avant le dépannage ou avant l'installation du produit.

Le module DEL doit être installé dans une tête de signal avec une protection adéquate d'entrée pour l'emplacement (protection contre les intempéries).

Installation Steps:

1. **Verify input voltage** is within specified range on the back of the LED signal module before installation. Failure to do so will cause lamp to fail.
2. Open front cover of (customer supplied) traffic signal housing.
3. Connect the wires to the appropriate terminal block within customer supplied signal housing. (Orange wire (+ for Hand), Blue Wire (+ for Person) and White wire for the neutral).
4. Close front cover of (customer supplied) traffic signal housing ensuring that the module gasket is tight within the housing.

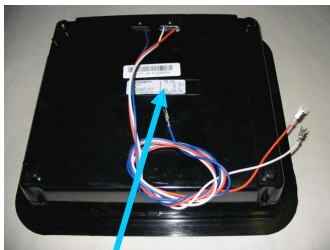
16 x 18 inch Overlay / Countdown



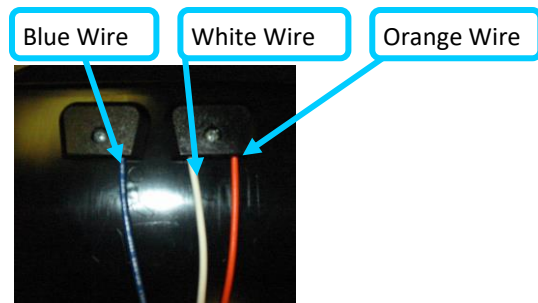
16 x 18 inch Full Hand / Full Person Side-by-Side



Back of 16 x 18 inch Pedestrian Module



Voltage Rating



This product is intended solely for the use of traffic signaling and is not intended for use in any other applications.

NOTE: If you prefer to have this Installation Instructions document in **other languages**, visit our official website at:

www.currentbyge.com/transportation

This device complies with part 15 of the FCC Rules. Operation is subject to the following two conditions: (1) This device may not cause harmful interference, and (2) this device must accept any interference received, including interference that may cause undesired operation. CAN ICES-005(A)/NMB-005(A)

NOTE: This equipment has been tested and found to comply with the limits for a Class A digital device, pursuant to part 15 of the FCC Rules. These limits are designed to provide reasonable protection against harmful interference when the equipment is operated in a commercial environment. This equipment generates, uses, and can radiate radio frequency energy and, if not installed and used in accordance with the instruction manual, may cause harmful interference to radio communications. Operation of this equipment in a residential area is likely to cause harmful interference in which case the user will be required to correct the interference at his own expense.

Current, powered by GE is a business of the General Electric Company. The GE and Current, powered by GE brands and logos are trademarks of the General Electric Company.
© 2016 General Electric Company. Information provided is subject to change without notice. All values are design or typical values when measured under laboratory conditions.

99003894 TRAF045-R200917 (DD/MM/YY)