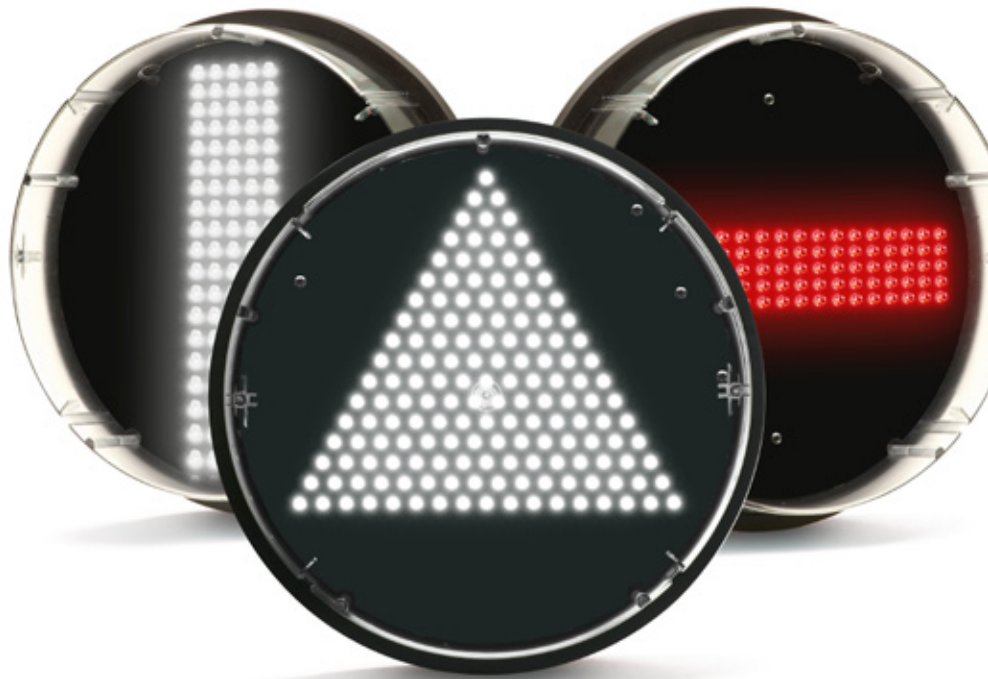


TR6 LED Transit Symbol Signal Modules

12 inch (300 mm)



Outstanding Reliability

- Self-contained design provides protection against moisture and dust
- Robust LED system design enables high luminous intensity over long product life

Excellent Appearance & Visibility

- Uniform illumination
- Photocell-activated dimming for night time viewing
- Bars may be installed horizontally or vertically, reducing products required

Meets Rigorous Testing Standards

- All lamps undergo comprehensive testing in the manufacturing plant

New or retrofit use
Night time dimming



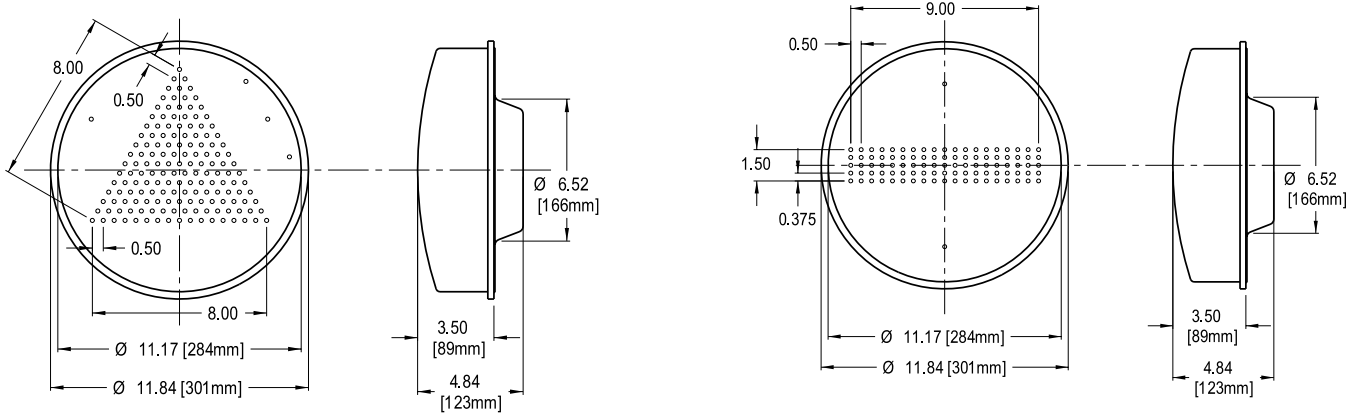
imagination at work

TR6 LED Transit Symbol Signal Modules

- 12 inch (300 mm)

Mechanical Outlines

Dimensions in inches. (mm) indicates metric equivalent



Operating Specifications

Parameter	Rating
Operating Temperature	-40 to +70°C (-40 to +158°F)
Operating Voltage	85 to 135 V AC
Voltage Turn-Off (VTO)	45 V AC
Dimming Level LED current	50%
Total Harmonic Distortion (THD)	<20%



Figure A



Figure B



Figure C

Product Information

Model Number	Figure	Description	Nominal Current (mA)	Nominal Power (W)	Minimum on-Axis Intensity ¹ (cd)
Mid-Range and Outdoor Applications					
TR6-WC5H-01A-51	A	120V White bar with dimming	44	5.2	400
TR6-RC5H-01A-51	B	120V Red bar with dimming	52	6.3	225
TR6-WCTS-01A-51	C	120V White triangle with dimming	76	9	550

Options:

¹ Measured out of factory at 25°C and stabilized at 100% duty cycle for 1 hour.

Distributed by:



GE Lighting Solutions • 1-888-MY-GE-LED • www.gelightingsolutions.com
1 - 8 8 8 - 6 9 - 4 3 - 5 3 3

GE Lighting Solutions, LLC is a subsidiary of the General Electric Company. The GE brand and logo are trademarks of the General Electric Company.
© 2011 GE Lighting Solutions, LLC. Information provided is subject to change without notice. All values are design or typical values when measured under laboratory conditions.

RAIL103-R090911