

GE  
Lighting Solutions

# Industrial Lighting

Versabeam™ Disconnect Nuvation (VS5)



imagination at work

## Product Features

GE Indoor Lighting luminaires are designed to produce optimum illumination from the lamp, optical system and ballast, while providing specific light patterns for specific applications. These reliable systems help to improve safety and energy savings, while enhancing productivity and efficiency, to put your industrial workplace in the best possible light.

### Applications

- For 15 to 35 ft. (5 to 11 meter) applications requiring high efficiency and the need for low glare with HID lighting
- Especially useful in difficult assembly and machine situations
- Can be used in place of either high bay or low bay conventional luminaires
- Very effective in sites that have obstructions




### Housing

- Symmetrical heavy duty die-cast aluminum ballast housing

### Finish

- Polyester powder gray or white paint finish

### Ratings

-  1598 Listed Suitable for Damp Locations
-  1598 Listed for metal halide lamps in polymeric lamp containment barriers
-  Listed to Canadian standards and codes

### Mounting

- Single casting integral hook/loop and mounting plate is available
- Threaded slide-in mounting adapter for easy mounting

### Reflectors

- ALGLAS® finish on faceted reflector

### Unique Features

- Enclosed and gasketed optics
- Unique optical sliding disconnect
- Charcoal filtered optics
- 55° C ambient standard
- UV stabilized injection molded prismatic refractor for low brightness
- Refractor with combination of reflecting and refracting prisms for high efficiency and good brightness control
- In-line EZ Connect™ plugin adapter port allows for:
  - hook/loop, cord & NEMA plug
  - plug-in modular wiring systems
  - plug-in fuse kits
- Mogul base socket - E39 standard
- Safety chain provisions
- Shipped as components: Ballast, Optical
- Magnapack available for ballast
- Pulse start system for metal halide available

# Ordering Number Logic

## Versabeam™ Disconnect Nuvation (VS5)



VS5

EA

VA

PROD. ID	COLOR	WATTAGE	LIGHT SOURCE	VOLTAGE	BALLAST TYPE	OPTICAL CODE	PHOTOMETRY CODE	MOUNTING CODE	OPTIONS
VS5 = Versabeam Disconnect Luminaire	G = Gray W = White	17 = 175 20 = 200 25 = 250 32 = 320 35 = 350 40 = 400	E = Energy Act Compliant Pulse MH (EPMH) S = HPS  For International Markets only M = MH P = Pulse Start MH  <b>Note:</b> Lamp is vertical base up. Lamp not included.	60Hz 0 = 120/208/240/277 MULTIVOLT 1 = 120 2 = 208 3 = 240 4 = 277 5 = 480 F = 120X347 T = 220  50Hz 6 = 220 R = 230 Y = 240 G = 380	See Ballast Selection Table A = Autoreg D = System 3 Bilevel Autoreg G = CANADIAN Mag-Reg (Grounded Socket Shell) H = HPF Reactor or Lag M = Mag-Reg	EA = Enclosed Acrylic	VA = Fixed	XX = Select Code Below 11 = Pendant mounting 13 = Provision for Slide-on Primary Electrical Disconnect. Order TWOBP Box (Thru Feed Capability Only) Separately. (Not available with D or W option) 14 = Provision for Slide-on Primary Electrical Disconnect. (Pendant and Thru Feed Capability) Order PED Box Separately (Not available with D and W option) 15 = Rewire with EZ Loop, Cord and Plug Part of "Power Hook". Order Receptacle/Hook Box Separately. (Not CSA/CUL) 31 = Rewire with EZ-Hook, 3-ft (0.9 meters) #16/3 Cord, and Nema Plug 33 = Rewire with EZ-Loop, 3-ft (0.9 Meters) #16/3 Cord, and Nema Plug (Order locking receptacle hook box separately.) 67 = Pendant, Nut and Hanger Hub Mounting. (For use with "D" or "W", Wet Locations Option, only)  <b>MODULAR PREWIRE</b> 41 = ACS with 3-ft (0.9 meter) cord & EZ-Hook 69 = ACS with 6-ft (1.8 meter) cord & EZ-Hook 43 = ACS with 3-ft (0.9 meter) cord & EZ-Loop 70 = ACS with 6-ft (1.8 meter) cord & EZ-Loop  <b>PLUG-N-GO</b> 51 = Plug-N-Go with 3 ft. (0.9 meter) Cord & Hook 71 = Plug-N-Go with 6 ft. (1.8meter) Cord & Hook 53 = Plug-N-Go with 3 ft. (0.9 meter) Cord & Loop 72 = Plug-N-Go with 6 ft. (1.8 meter) Cord & Loop <b>Note:</b> ACS = Flex 3+ <b>Plug-N-Go</b> = FSC Series	A = 65°C maximum ambient** B = Time Delay Automatically D = Severe Duty (meets Wet Location) (For use with Mounting Code 67 only) F = Fusing (Not available with D or W option)* G = Secondary Wiring Access. /8 in. dia. knockout (Not available with D or W option) Q = Non-Time Delay Automatically Switched Quartz R = Non-Switched Quartz T = E40 / European Socket W = Wet Location (For use with Mounting Code 15 and 67 only)

## Photometric Selection Table

EA, Optical - Enclosed Acrylic				
Wattage	Light Source	Photometric Curves	Optical Code	Photometry Curve
175	EPMH	178508	EA	VA
250	EPMH	178508	EA	VA
400	EPMH	178437	EA	VA
320 ED28*	EPMH	178508	EA	VA
350	EPMH	178437	EA	VA
400	EPMH	178437	EA	VA
200	HPS	178438	EA	VA
250	HPS	178438	EA	VA
400	HPS	178438	EA	VA

\* Multiply rated lumens from curve listed by "Lumen Multiplier" to provide accurate lumen value for corresponding lamp combination

## Ballast Selection Table

Wattage	Light Source	Ballast Type / Voltage								
		60HZ			50HZ					
		Multivolt	120, 208, 240, 277, 480	347	120 x 347	220	220	230	240	380
200	HPS	M	M	N/A	N/A	N/A	A	A	A	N/A
250	HPS	A,M	A,D,G,M	A,D,G	A	A,H	A,H,M	A,H	A,H	M
310	HPS	M	M	N/A	N/A	N/A	N/A	N/A	N/A	N/A
400	HPS	A,M	A,D,G,M	A,D,G	A	A,H	A,H,M	A,H,M	A,H,M	M
175	MH	A	A	A	A	N/A	N/A	N/A	N/A	N/A
250	MH	A	A,D	A,D	A	A	A	A	A	N/A
400	MH	A	A,D	A,D	A	A	A	A	A	N/A
PULSE START METAL HALIDE LIGHT SOURCE BALLAST SELECTION TABLE										
175	EPMH	N/A	A	A	N/A	N/A	N/A	N/A	N/A	N/A
250	EPMH	A	A	A	A	N/A	N/A	N/A	N/A	N/A
320	EPMH	A	A	A	N/A	N/A	N/A	N/A	N/A	N/A
350	EPMH	A	A	A	N/A	N/A	N/A	N/A	N/A	N/A
400	EPMH	A	A	A	N/A	N/A	N/A	N/A	N/A	N/A

**NOTE:** N/A = Not Available  
\* H is HPF-Linear Reactor available as 277 volt only. Cannot be used with Automatic Switch Quartz Option.

### CANADIAN NOTES:

- "A", Autoreg, and "D", Bilevel Autoreg available 120, 277 or 347 volts only
- 208, 240, and 480 volts require CWI ballast. Use "G" when available. Contact factory for all others.
- Multivolt not available
- 208, 240 and 480 volts with "G" ballast not available with switched quartz.

\*Not available with multivolt  
\*\*65°C available for 250 watt Ballast only.

## Product Dimensions

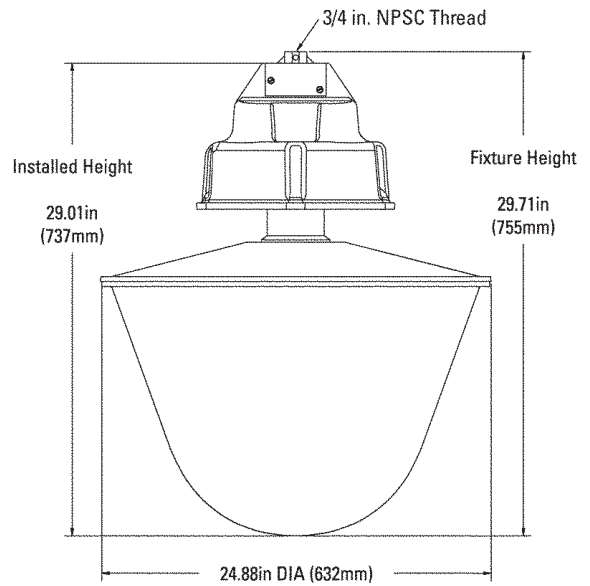
### DIMENSIONS

When optical assembly contains a quartz socket (switched or non-switched), an additional 1.125 inches (29mm) must be added to the overall height due to double stack disconnect.

For wet location dimensions 1.72 inches (44mm) must be added to overall height.

### NOTES

See explanation on "Optical Flexibility".



### DATA

- Approximate Net Weight: Ballast and Optical 32-42 lbs (15-19) kgs



GE Lighting Solutions • 1-888-MY-GE-LED • [www.gelightingsolutions.com](http://www.gelightingsolutions.com)

1-888-69-43-533

GE Lighting Solutions, LLC is a subsidiary of the General Electric Company. The GE brand and logo are trademarks of the General Electric Company.  
© 2012 GE Lighting Solutions, LLC. Information provided is subject to change without notice. All values are design or typical values when measured under laboratory conditions.