

GE
Lighting

Sports & Stadium Lighting

Powr-Spot™ (PSFA)



imagination at work

Product Features

GE Sports Flood Lighting is the premium lighting solution for professional arena applications. Combining state-of-the-art lamp, optical and ballast technology, packaged together for unmatched light output and efficiency, with excellent visibility for player, spectators and television broadcasting.

Applications

- Recreational and competition sports fields at all levels
- General floodlighting where revolving reflectors are needed

Housing

- Die-cast aluminum ballast housing with polyester powder gray paint finish inside and out

Finish

- Polyester powder gray paint finish

Ratings

- /c  1598 Listed Suitable For Wet Locations

Reflectors

- Enclosed, gasketed, filtered optical with ALGLAS™ finish on aluminum reflector and tempered glass closure

Unique Features

- Thermal separation of ballast from socket and lamp
- Removable cover for access to ballast and wiring compartment
- No-weep-hole condensate drain when aimed down
- Built-in cable and strain relief bushing
- Heavy gauge steel trunnion with aiming reset stop
- Mogul base socket – E39 standard with lamp stabilizer 1000 & 1500 watt
- Corrosion-resistant hardware
- Position oriented socket available for “minimum” tilt factor lamp – contact factory
- Field convertible glare reduction available. See Accessories.
- Remote ballasted system available – contact factory

Ordering Number Logic

Power-Spot™ (PSFA)



PSFA

PROD. ID	WATTAGE	LIGHT SOURCE	VOLTAGE	BALLAST TYPE	TRUNNION TYPE	NEMA TYPE BEAM SPREAD HORIZ X VERT	OPTICAL REFLECTOR	OPTIONS
PSFA = Standard Power-Spot Floodlight all opticals.	75 = 750 01 = 1000 51 = 1500	E = Energy Act Compliant Pulse MH (EPMH) S = HPS M = MH Standard Lamp not included.	60Hz 0 = 120/208/ 240/ 277 Multivolt 1 = 120 2 = 208 3 = 240 4 = 277 5 = 480 D = 347 T = 220 50Hz 6 = 220	See Ballast and Photometric Selection Table A = Autoreg	1 = Straight 2 = Angled 3 = Long (for SportsStar™) (13.750") 4 = Straight Trunnion w/CAA-001	Select NEMA Type from Ballast and Photometric Selection Table. Example: 3 = 3 x 3	See Dimensions HD0 = Heavy Duty 20-in. (508mm) Diameter GPO = General Purpose 20-in. (508mm) Diameter HD2 = Heavy Duty 22-in. (559mm) Diameter GP2 = General Purpose 22-in. (559mm) Diameter	F = Fusing (Not available with multivolt) P = Pre-wired with 6-ft (2M) #14/3

Ballast and Photometric Selection Table

All light sources are clear unless otherwise indicated. All Ballasts are Autoreg.

Product ID	Wattage	Ballast Type All Voltages***	Reflectors Listed by Diameter, Photometric Curve Number 35-xxxx, and Actual Beam Angle in degrees. NEMA Type Beam Spread (Horizontal X Vertical)					
			22-in. (559mm) Diameter			20-in. (508mm) Diameter		
			1 - 1x1	2 = 2x2	3 = 3x3	4 = 4x4	5 = 5x5	6 = 6x6
400	HPS	A	175663 (12X12)	175664 (20X20)	177613 (38X34)	179262 (51X47)	177463 (61X57)	N/A
750	HPS	A**,H	N/A	179186	N/A	178177 (67X64)	178178 (77X76)	178179 (110X107)
400	C/F	C/F	C/F	C/F	C/F	C/F	C/F	N/A
1000	MH	A	N/A	452777 (23X23)*	452778 (40X42)	452779 (55X57)	452782 (85X79)	452781 (109X111)
1500***	MH	A	N/A	452746 (23X22)*	452739 (44X44)	452740 (60X59)	452741 (70X68)	452744 (107X107)

NOTE: N/A = Not Available C/F = Contact factory

*Premium high performance 22-in. (559mm) NEMA Type 2 optical available - contact factory for photometric data.

**Multivolt not available

***347 volts not available in multivolt.

For facade and indirect lighting applications with 1500 watt or greater, GE recommends adding wire guard accessory WG-PSFO or WG-PSFHD2.

For facade or applications with aiming fixture above horizontal, contact factory.

Optical/Lamp Holder Selection Table

Does not include reflector

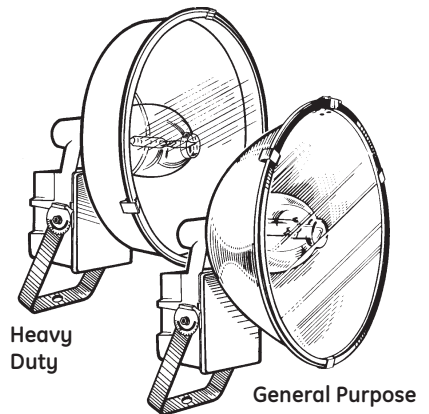
Wattage	Light Source	Ordering Number	Maximum Separation Optical and Ballast
400	HPS	PSFC40S	10 ft (3 M)
750	HPS	PSFC75S	10 ft (3 M)
400	MH	PSFC40M	NOTE*
1000/1500/	MH	PSFC95M	NOTE*

NOTE: *No limitation except voltage drop in the cable must not exceed five volts.

Optical Component Logic

Optical Component Logic	MH			HPS			Choose A, B, C, D, E, From Table Using Beam Spread And Lamp Type
	1500W 51	1000W 01	400W 40	1000W 01	400W 40	750W 75	
A	2	2	1	N/A	N/A	2	HD2 or GP2
B	3	3	3*	N/A	3	3	GPO or HD0
C	4	4	3	N/A	4	4	
D	5	5	5	N/A	5	5	
E	6	6	6	5	6	6	

NOTE: *Not standard. Better equivalent distributions exist. N/A = Not Available



Product Dimensions

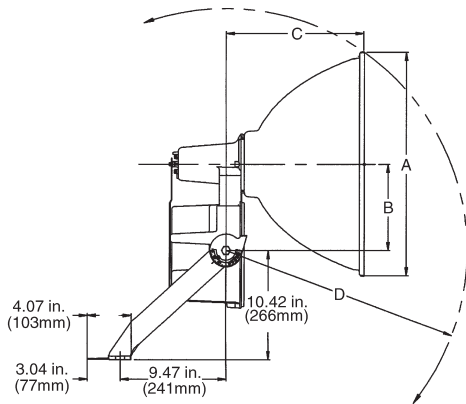
Power-Spot™ (PSFA)

Solid line – heavy duty optical
Dotted line – general purpose optical

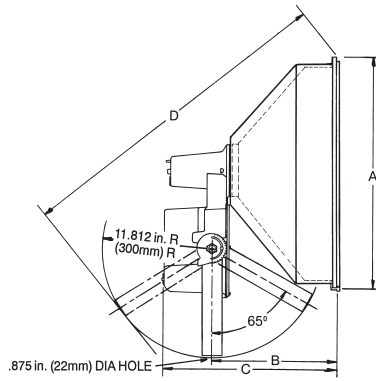
Optical	A DIA	B	C	D
22-in.	23.000	7.969	12.625	23.050
559 mm	584	203	321	586
20-in.	20.700	7.969	12.531	22.250
508 mm	526	203	318	565

Optical	A DIA	B	C	D
22-in.	23.000	12.438	17.875	34.312
559mm	584	316	454	872
20-in.	20.700	12.575	18.000	31.312
508mm	526	319	457	795

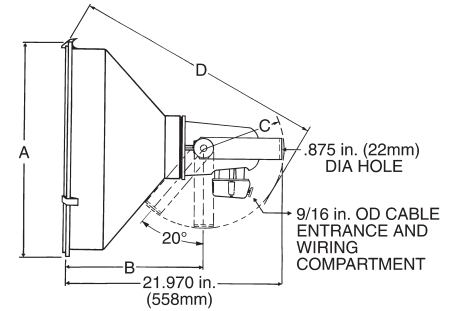
Optical	A DIA	B	C Radius	D Min.
22-in.	23.000	13.000	9.000	26.500
559mm	584	330	229	673
20-in.	21.000	13.000	9.000	26.000
508mm	533	330	229	660



Angled Trunnion



Straight Trunnion



Remote Socket Holder
 Order Reflector Separate

DATA	• Approximate Net Weight: 55-65 lbs (25-29 kgs)
	• Effective Projected Area: 2.7* sq ft max (.24* sq M max)
	3.0 sq ft max (.28 sq M max)
	*When aimed 30°/22-in. down



www.gelighting.com

GE and the GE Monogram are trademarks of the General Electric Company. All other trademarks are the property of their respective owners. Information provided is subject to change without notice. All values are design or typical values when measured under laboratory conditions. GE Lighting and GE Lighting Solutions, LLC are businesses of the General Electric Company. © 2015 GE.

OLP2981 (Rev 03/03/15)