

GE
Lighting Solutions

Sports & Stadium Lighting

Powr-Spot™ (PSGN & PSGV)



imagination at work

Product Features

GE Sports Flood Lighting is the premium lighting solution for professional arena applications. Combining state-of-the-art lamp, optical and ballast technology, packaged together for unmatched light output and efficiency, with excellent visibility for player, spectators and television broadcasting.

Applications

- Recreational and competition sports fields at all levels
- General floodlighting where long setbacks or high mountings require maximum optical performance
- Especially suitable at sites requiring glare reduction and light trespass limitation

Housing

- Die-cast aluminum ballast housing with polyester powder gray paint finish inside and out

Finish

- Polyester powder gray paint finish

Ratings

- /c/ 1598 Listed Suitable For Wet Locations

Reflectors

- Enclosed, gasketed, filtered optical with configured, ALGLAS™ finish on 20-inch (508mm) diameter aluminum reflector and tempered glass closure

Unique Features

- Thermal separation of ballast from socket and lamp
- Removable cover for access to ballast and wiring compartment
- No-weep-hole condensate drain when aimed down
- Built-in cable and strain relief bushing
- Heavy gauge steel trunnion with aiming reset stop
- Corrosion-resistant hardware
- Position oriented socket available for “minimum” tilt factor lamp-contact factory
- Remote ballasted system available – contact factory
- Mogul base socket – E39 standard

Ordering Number Logic

Power-Spot™ (PSGN & PSGV)



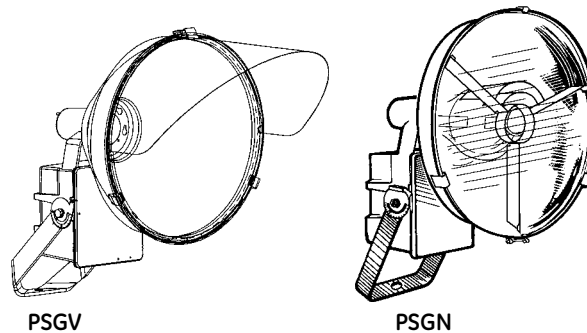
PROD. ID	WATTAGE	LIGHT SOURCE	VOLTAGE	BALLAST TYPE	TRUNNION TYPE	REFLECTOR ID	OPTICAL REFLECTOR	OPTIONS
PSGN = Power-Spot III Floodlight with 20-in. (508mm) diameter Reflector and with Internal Glare Reduction Louvers Mounted on Door	75 = 750 01 = 1000 51 = 1500	S = HPS M = MH Standard Lamp not included.	60Hz 0 = 120/208/ 240/277 Multivolt 1 = 120 2 = 208 3 = 240 4 = 277 5 = 480 D = 347 T = 220 50Hz 6 = 220 Y = 240	See Ballast and Photometric Selection Table A = Autoreg	1 = Straight 2 = Angled 3 = Long (for SportsStar) 4 = Straight w/CAA-001	Select ID. from Photometric Selection Table. B0 C0 D0 E0	See Dimensions H00 = Heavy Duty 20-in. (508mm) Diameter G00 = General Purpose 20-in. (508mm) Diameter	F = Fusing (Not available with multivolt nor with Instant Hot Restart) P = Pre-wired with 6-ft (2M) #14/3
PSGV = Power-Spot III Floodlight with 20-in. (508mm) diameter Reflector and with External Glare Reduction Visor Mounted on Door								

Ballast and Photometric Selection Table

All light sources are clear unless otherwise indicated. All Ballasts are Autoreg.
Designate 20-inch (508mm) Reflector by Reflector ID.
Photometric Curve Number 35-xxxxxx and Beam Angle in Degrees

Product ID	Wattage	Light Source	A2	B0	C0	D0	E0
PSGN	400	HPS	N/A	450593 (37X30)	450401 (50X39)	450575 (60X49)	450560 (76X64)
	750	HPS	N/A	N/A	N/A	450535 (73X53)	450538 (105X78)
	400	MH	N/A	450524 (31X27)	450337 (54X19)	450529 (99X74)	N/A
	1000	MH	452775 (23X22)	452788 (39X36)	452787 (55X50)	452790 (86X67)	452789 (107X91)
	1500	MH	452742 (23X22)	452754 (43X37)	452757 (60X49)	452756 (61X52)	452755 (104X91)
PSGV	400	HPS	N/A	450329 (37X34)	179263 (52X47)	450327 (61X57)	450328 (81X74)
	750	HPS	N/A	N/A	N/A	450533 (79X75)	450536 (105X96)
	400	C/F	N/A	C/F	C/F	C/F	C/F
	1000	MH	452774 (23X23)	452791 (40X41)	452792 (55X55)	452794 (84X75)	452793 (111X97)
	1500	MH	452747 (24X23)	452761 (41X40)	452760 (57X53)	452758 (62X59)	452759 (94X91)

NOTE: N/A = Not Available *347 volts not available in multivolt. C/F = Contact factory
For indoor indirect lighting applications with 1000 watt or greater, GE recommends replacing tempered front glass lens with wire guard accessory WG-PSFO.
For facade or applications with aiming fixture above horizontal, contact factory.

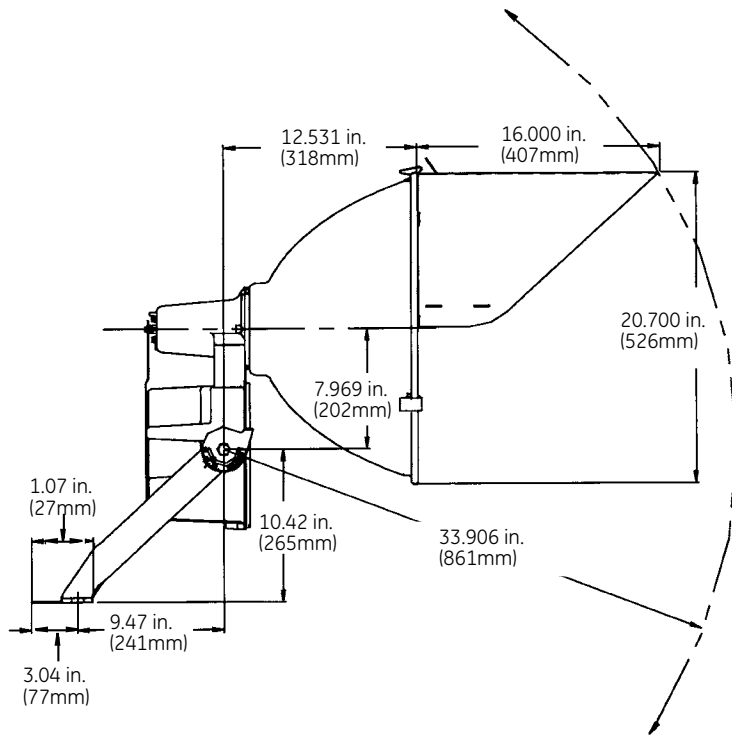


PSGV

PSGN

Product Dimensions

Power-Spot™ (PSGN & PSGV)



DATA	<ul style="list-style-type: none"> • Approximate Net Weight: 55-65 lbs (25-29 kgs)
	<ul style="list-style-type: none"> • Effective Projected Area: PSGN 2.7* sq ft max (.24* sq M max) PSGV, PSGC 3.25 sq ft max (.30 sq M max) *When aimed 30° down



GE Lighting Solutions • 1-888-MY-GE-LED • www.gelightingsolutions.com

1-888-69-43-533

GE Lighting Solutions, LLC is a subsidiary of the General Electric Company. The GE brand and logo are trademarks of the General Electric Company.
© 2012 GE Lighting Solutions, LLC. Information provided is subject to change without notice. All values are design or typical values when measured under laboratory conditions.