

GE
Lighting Solutions

Decorative Post Top Lighting

GE Legacy™ (LGCX & LGCF)



imagination at work

Product Features

GE offers a variety of decorative Post Top and Pendant Mount Lighting solutions that range from the nostalgic looks of yesterday to the sleek, modern designs of today, providing style and elegance to downtown areas, commercial developments, parks and residential communities.

Applications

- Residential roadways, walkways, shopping centers, malls and plazas
- Historic restorations and downtown business districts

Housing

- Ornamental heavy gauge cast aluminum base

Finish

- Powder coat paint available in 188 RAL colors

Rating

- Suitable for Wet Locations

Unique Features

- Low Profile unit to enhance aesthetics of decorative concrete poles
- Base designed to fit 7" tenon (typical offering with concrete poles)
- Button type photoelectric control available
- GE designed and built ballast with proven long life and reliability
- Crowns, ribs and finials available
- E39 Mogul base socket standard where lamp is available in mogul base (E26 Medium base socket otherwise)
- Luminaire shipped as components: Base, Optical
- Removable aluminum ballast canister with key slots and electrical disconnect which provides easy access to the ballast, capacitor and plug-in ignitor
- Accepts 9" globes

Ordering Number Logic

GE Legacy™ (LGCX & LGCF)



PROD. ID	WATTAGE	LIGHT SOURCE	VOLTAGE	BALLAST TYPE SELECTION	PE FUNCTION	GLOBE TYPE**	IES DISTRIBUTION TYPE	COLOR
LGCX = Legacy Luminaire	05 = 50 07 = 70 10 = 100 15 = 150 (55V)	S = HPS P = PMH Standard: Lamp not included.	60Hz 0 = 120/208/ 240/277 Multivolt 1 = 120 5 = 480 D = 347 F = 120X347	See Ballast and Photometric Selection Table A = Autoreg H = HPF Reactor or Lag N = NPF Reactor or Lag	1 = None 3 = Internal PE Button	1AC = Traditional Prismatic (Polycarbonate/Acrylic) 1CB = Traditional Standard (Polycarbonate) 1DA = Colony (Acrylic with spun top aluminum) 1HA = Classic (Acrylic) 1LD = 22" Impression (White polycarbonate) 1MA = Colony with crown and ribs installed (Acrylic with spun aluminum top)	See Ballast and Photometric Selection Tables A = Asymmetric S = Symmetric	ALUM = Aluminum BLCK = Black BRWN = Brown CHGR = Charcoal Gray DKBZ = Dark Bronze FGRN = Forest Green GRAY = Gray WHITE = White
LGCF = Legacy Luminaire Finial Ready*								
*Order Finial Separately								

Ballast Selection Table

All light sources are clear unless otherwise indicated.

Wattage	Light Source	Ballast Type/Voltage 60Hz			
		120	347, 120X347**	Multivolt	480
50	HPS	H, N	H, N	H, N	N/A
70	HPS	A, H, N	H, N	H, N	H, N
100	HPS	A, H, N	H, N	H, N	H, N
150(55V)	HPS	A, H, N	H, N	H, N	H, N
70	PMH	H, N	H, N	H, N	H, N
100	PMH	H, N	H, N	N	H, N
150	PMH	H	H	N/A	N/A

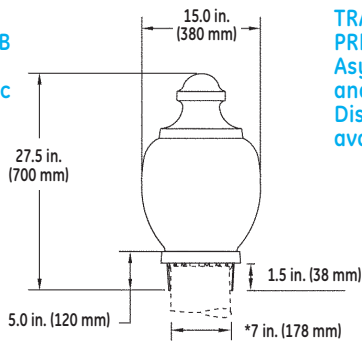
NOTE: N/A = Not Available

Photometric Selection Table

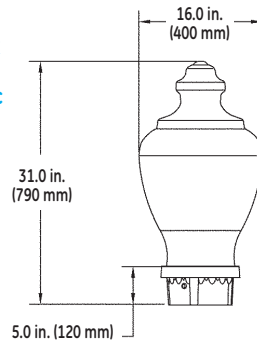
Wattage	Light Source	IES Distribution Type						
		LNA	MN2	MN3	MN4	MS2	XN5	XS5
50	HPS	452190 452375	-	452272 452312	-	-	452162 452358 452387	452256 452296
70	HPS	452191 452376	-	452273	-	452313	452163 452359 452388	452257 452297
100	HPS	452192 452377	-	452314	452274	-	452164 452360 452389	452258 452298
150	HPS	452193	452315	-	452275 452278	-	452165 452361 452390	452259 452299
50	PMH	452186 452268	-	-	-	-	452158	452252
70	PMH	452187 452269	-	-	-	-	452159	452253 452292
100	PMH	452188 452372	-	-	452270	452309	452160 452355	452254 452293

Product Dimensions

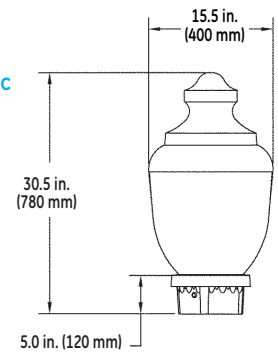
TRADITIONAL STANDARD 1CB
Asymmetrical and Symmetric Distribution available



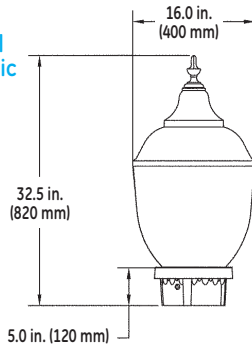
TRADITIONAL PRISMATIC 1AC
Asymmetrical and Symmetric Distribution available



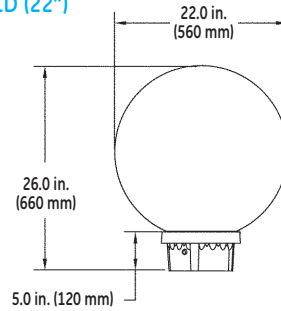
CLASSIC 1HA
Asymmetrical and Symmetric Distribution available



COLONY 1DA
Asymmetrical and Symmetric Distribution available



IMPRESSION 1LD (22")
Symmetric Distribution only



DATA

- Approximate Net Weight: 21-25 lbs (10-11 kgs)
- Suggested Mounting Height: 10-16 ft. (2-5 M)
- Effective Projected Area: 1.6 sq. ft. max. (0.15 sq. M max.)



GE Lighting Solutions • 1-888-MY-GE-LED • www.gelightingsolutions.com

1-888-69-43-533

GE Lighting Solutions, LLC is a subsidiary of the General Electric Company. The GE brand and logo are trademarks of the General Electric Company.
© 2012 GE Lighting Solutions, LLC. Information provided is subject to change without notice. All values are design or typical values when measured under laboratory conditions.