

GE  
Lighting Solutions

# Decorative Post Top Lighting

StreetDreams™ Traditional (T)



imagination at work

## Product Features

GE offers a variety of decorative Post Top and Pendant Mount Lighting solutions that range from the nostalgic looks of yesterday to the sleek, modern designs of today, providing style and elegance to downtown areas, commercial developments, parks and residential communities.

### Applications

- Residential roadway, walkways, historic urban settings, shopping centers, malls, plazas and parks

### Housing

- Ornamental cast bases available in four styles

### Finish

- Polyester powder painted with choice of 188 colors

### Ratings

-  /  1598 Listed Suitable for Wet Locations

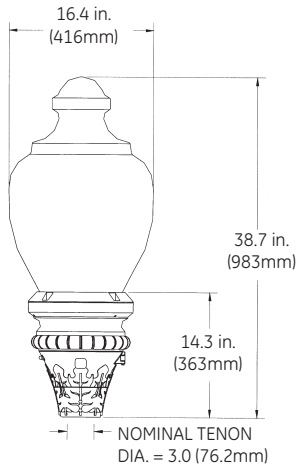
### Unique Features

- Crown and rib accessories available
- Multiple finial choices
- Push button tool-less door for access to ignitor and PE receptacle
- Twist-off globe for easy access to lamp and electricals
- Electricals mounted on "twist-and-lift" system for easy maintenance
- Medium and mogul base sockets available
- Full size PE available
- Terminal board available

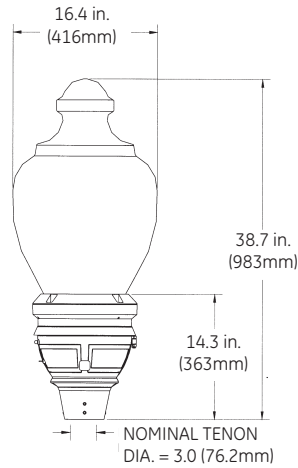


# Product Dimensions

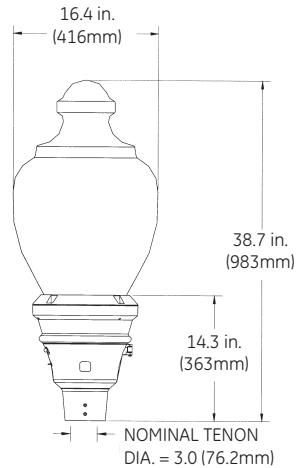
## TRADITIONAL



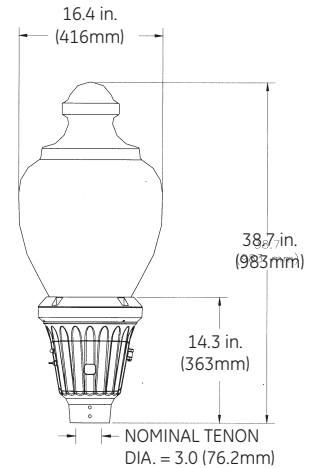
**TRADITIONAL SHOWN WITH POD A  
POD E (Push Button)**



**TRADITIONAL SHOWN WITH POD B  
POD F (Push Button)**



**TRADITIONAL SHOWN WITH POD C  
POD G (Push Button)**



**TRADITIONAL SHOWN WITH POD D  
POD H (Push Button)**



**ILS-SD-TS**



**ILS-SD-HS**



**ILS-SD-HTS**



**SD-LVR-ASYM**



**SD-LVR-SYM**



**SD-LVR-ASYM-HS  
SD-LVR-SYM-HS**



**MEDALLION CROWN & RIB  
SD-CR-M**



**SCROLL CROWN & RIB  
SD-CR-S**

### DATA

- Approximate Net Weight: 40 lbs (18 kgs)
- Suggested Mounting Height: 8-16 ft. (2.5 - 5 M)
- Effective Projected Area: 1.4 sq ft max (0.13 sq M max)



GE Lighting Solutions • 1-888-MY-GE-LED • [www.gelightingsolutions.com](http://www.gelightingsolutions.com)

1-888-69-43-533

GE Lighting Solutions, LLC is a subsidiary of the General Electric Company. The GE brand and logo are trademarks of the General Electric Company.  
© 2012 GE Lighting Solutions, LLC. Information provided is subject to change without notice. All values are design or typical values when measured under laboratory conditions.