

GE
Lighting Solutions

Decorative Post Top Lighting

StreetDreams™ Lantern (L)



imagination at work

Product Features

GE offers a variety of decorative Post Top and Pendant Mount Lighting solutions that range from the nostalgic looks of yesterday to the sleek, modern designs of today, providing style and elegance to downtown areas, commercial developments, parks and residential communities.

Applications

- Residential roadway, walkways, historic urban settings, shopping centers, malls, plazas and parks



Housing

- Ornamental cast bases available in four styles

Finish

- Powder painted with choice of 188 colors

Ratings

- /c  1598 Listed Suitable for Wet Locations

Unique Features

- Multiple finial choices
- Push button tool-less door access to ignitor and PE receptacle
- Twist-off globe
- "Flip" top for quick, tool-less access to lamp
- Electricals mounted on "twist-andlift" system for easy maintenance
- Medium and mogul base sockets available
- Full size PE available
- Terminal board available

Ordering Number Logic

StreetDreams™ Lantern (L)



L - - - - -

FAMILY	GLOBE	GLOBE MATERIAL	POD	WATTAGE	LIGHT SOURCE	VOLTAGE	BALLAST	PE	FINIAL	INTERNAL REFLECTOR	COLOR	OPTIONS
L = Lantern	6 = Hexagonal 8 = Octagonal 9 = Octagonal with Spikes	1 = Clear Acrylic 3 = Frosted Acrylic	A B C D E F G H	05 = 50 07 = 70 10 = 100 15 = 150 17 = 175 25 = 250	E = Energy Act Compliant Pulse MH (EPMH) S = HPS P = PMH	0 = Multi 1 = 120 2 = 280 3 = 240 4 = 277 5 = 480 D = 347 F = 120X347	A = Autoreg N = NPF H = HPF	1 = None 2 = PE receptacle 4 = With shorting cap 5 = with PE control	H = Steeple X = no finial	5 = Chimney & Sym top reflector cutoff * 6 = Chimney & Asym top reflector cutoff * 7 = Chimney & Sym top reflector semi-cutoff 8 = Chimney & Asym top reflector semi-cutoff	BL = Black FG = Forest Green DB = Dark Bronze XX = Special order	F = Fusing T = Terminal board

* = Previously IESNA Full Cutoff Optics

Ballast Selection Table

Wattage	Light Source	Ballast Type/ Voltage 60 Hz				
		120X208X 240X277	120	480	120 x 347	347
50	HPS	H,N	H,N	N/A	H,N	N/A
70	HPS	A,H,N	A,H,N	H,N	H,N	H,N
100	HPS	A,H,N	A,H,N	H,N	H,N	H,N
150 (55v)	HPS	A,H,N	A,H,N	H,N	H,N	H,N
70	PMH	H,N	H,N	H,N	N/A	H,N
100	PMH	H,N	H,N	H,N	H,N	H,N
150	PMH	H*	H	N/A	H	H
250	EPMH	A	A	A	N/A	N/A

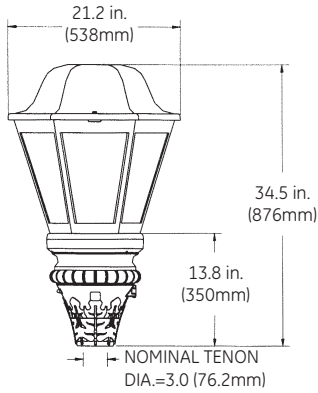
*MV not available for 150W PMH

Photometric Selection Table

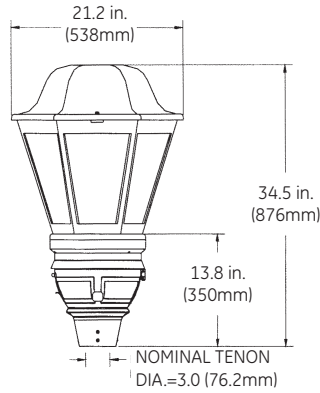
All light sources are clear unless otherwise indicated.							
Hexagonal (5)	Curve # Clear Sym/CO*	Hexagonal (6)	Curve # Clear Asym/CO*	Hexagonal (7)	Curve # Clear Sym/SCO**	Hexagonal (8)	Curve # Clear Asym/SCO**
HPS 70	453161	HPS 70	453153	HPS 70	453168	HPS 70	453160
100	453162	100	453154	100	453167	100	453159
150	453163	150	453155	150	453166	150	453158
250	453164	250	453156	250	453165	250	453157
PMH 70	453169	PMH 70	453177	PMH 70	453176	PMH 70	453184
100	453170	100	453178	100	453175	100	453183
250	453172	250	453180	250	453173	250	453181
All light sources are clear unless otherwise indicated.							
Octagonal (5)	Curve # Clear Sym/CO*	Octagonal (6)	Curve # Clear Asym/CO*	Octagonal (7)	Curve # Clear Sym/SCO**	Octagonal (8)	Curve # Clear Asym/SCO**
HPS 70	453210	HPS 70	453186	HPS 70	453217	HPS 70	453192
100	453211	100	453187	100	453216	100	453193
150	453212	150	453188	150	453215	150	453191
250	453213	250	453189	250	453214	250	453190
PMH 70	453229	PMH 70	453185	PMH 70	453225	PMH 70	453224
100	453230	100	453218	100	453226	100	453223
250	453232	250	453220	250	453228	250	453221

* = CO - Cutoff
** = SCO -Semi-Cutoff

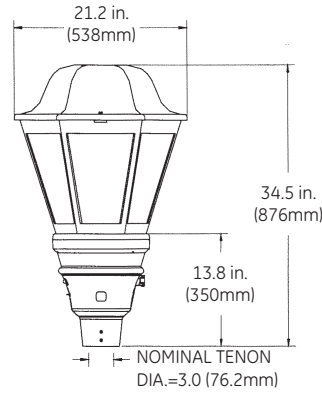
Product Dimensions



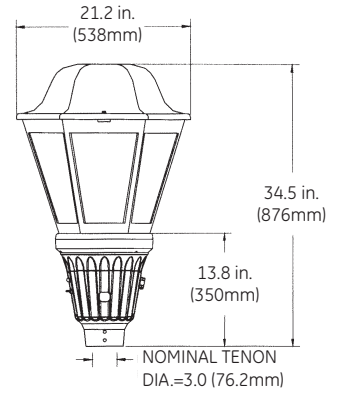
**6 SIDED LANTERN SHOWN WITH POD A
POD E (Push Button)**



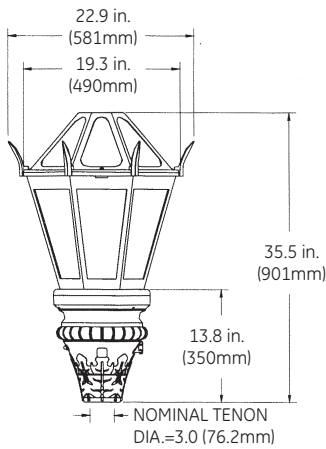
**6 SIDED LANTERN SHOWN WITH POD B
POD F (Push Button)**



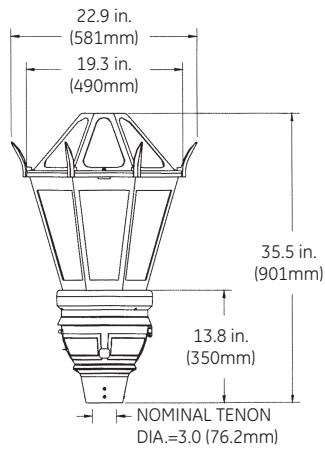
**6 SIDED LANTERN SHOWN WITH POD C
POD G (Push Button)**



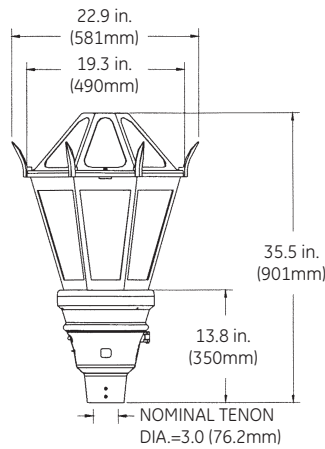
**6 SIDED LANTERN SHOWN WITH POD D
POD H (Push Button)**



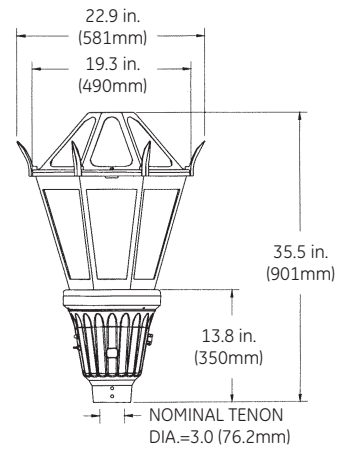
**8 SIDED LANTERN SHOWN WITH POD A
POD E (Push Button)**



**8 SIDED LANTERN SHOWN WITH POD B
POD F (Push Button)**



**8 SIDED LANTERN SHOWN WITH POD C
POD G (Push Button)**



**8 SIDED LANTERN SHOWN WITH POD D
POD H (Push Button)**

DATA

- Approximate Net Weight: 47-50 lbs (21-23 kgs)
- Suggested Mounting Height: 10-16 ft. (2-5 M)
- Effective Projected Area: 2.55 sq ft max (0.24 sq M max)



GE Lighting Solutions • 1-888-MY-GE-LED • www.gelightingsolutions.com

1-888-6-9-43-533

GE Lighting Solutions, LLC is a subsidiary of the General Electric Company. The GE brand and logo are trademarks of the General Electric Company.
© 2012 GE Lighting Solutions, LLC. Information provided is subject to change without notice. All values are design or typical values when measured under laboratory conditions.