

GE
Lighting Solutions

Area Lighting

Decasphere™ (DCF & DCD)



imagination at work

Product Features

Designed for superior photometric performance and architectural appeal, GE Outdoor Area Sighlighters provide broad application flexibility. From parking lots to downtown areas, hospitals to shopping malls, business complexes to residential neighborhoods, these fixtures will satisfy your large area lighting needs, while complementing your aesthetic desires.

Applications

- Greater than 20 ft (6 meters) site lighting including parking areas, driveways, malls and shopping centers
- Commercial and industrial complexes, automobile lots, residential areas and street lighting

Housing

- Spun aluminum housing and die- cast door

Finish

- Polyester powder paint finish standard in dark bronze, black, white and aluminum

Rating

- /c  1598 Listed Suitable for Wet Locations

Mounting

- Choice of 6-inch (152mm) arm or tenon top mounting

Reflectors

- All reflectors are field rotatable

Unique Features

- Heat and impact resistant tempered flat glass and SAG glass lenses
- Vertical lamp square distribution reflector with SAG glass only
- Enclosed, sealed and gasketed optical
- Terminal Board (Standard)
- Mogul base socket – E39 socket
- Magnapack packaging available
- Ballast tray standard

Ordering Number Logic

Decasphere™ (DCF & DCD)



PROD. ID	WATTAGE	LIGHT SOURCE	VOLTAGE	BALLAST TYPE SELECTION	PE FUNCTION	LENS TYPE	IES DISTRIBUTION TYPE	COLOR	MOUNTING	OPTIONS
DCF = Decasphere Luminaire Flat Top	07 = 70 10 = 100 NOTE: HPS only	E = Energy Act Compliant Pulse MH (EPMH) S = HPS P = Pulse MH Standard: Mogul base lamp not included.	60Hz 0 = 120/208/240/277 Multivolt 1 = 120 2 = 208 3 = 240 4 = 277 5 = 480 D = 347 F = 120X347 NOTE: 120 X 347 connected for 120V	See Ballast and Photometric Selection Table A = Autoreg G = Mag-Reg with Grounded Socket Shell H = HPF Reactor or Lag M = Mag-Reg P = CWI with Grounded Socket Shell	1 = None 2 = PE Receptacle 4 = PE Receptacle and Shorting Cap NOTE: Receptacle connected same voltage as unit.	G = Flat Glass S = SAG Glass	See Ballast and Photometric Selection Table MC2 = Medium Cutoff Type II (flat or SAG glass) MC3 = Medium Cutoff Type III (flat or SAG glass) FWT = Forward Throw (flat or SAG glass) HTV = Horizontal Type V (flat or SAG glass)	AL = Aluminum BL = Black CG = Charcoal Gray DB = Dark Bronze (Standard) WH = White AB = Aluminum (Black Reveal) BW = Black (White Reveal) DW = Dark Bronze (White Reveal) DK = Dark Bronze (Black Reveal) WB = White (Black Reveal) For other colors contact factory	1 = 6-in. (152mm) arm E = 2-3/8" External Slipfitter (DCF only) R = No Arm (For use with Top Tennon Accessory)	C = Charcoal Filter (except on FWT) F = Fusing (Not available with multivolt or 120X347V) J = Line Surge Protector, Expulsion Type (UL not available) N = Suitable for high vibration applications, such as bridges and over-passes (tested to 3g vibration) (DCF only)

Ballast and Photometric Selection Table

All light sources are clear unless otherwise indicated.

Wattage	Light Source	Ballast Type/Voltage 60Hz							IES Distribution Type Photometric Curve Number 35- Horizontal Lamp (Flat or Sagged Glass)			
		Multivolt	120	208	240	277	347 120X347	480	MC2	MC3	FWT	HTV
70, 100, 150 (55V)	HPS	H	H, M	M	M	M	M	M	179523	179530	179520	179534
250, 400	HPS	A, M	A, G, M	A, H, M	A, H, M	A, M	A, G, M	A, M	179519	179529	179518	179533
175	EPMH	A	A	A	A	A	A	A	179525	179532	179522	179536
250, 320	EPMH	A	A	A	A	A	N/A	A*	179325	179532	179522	179536
350, 400	EPMH	A	A	A	A	A	N/A	A*	179524	179531	179521	179535

*320 & 350 PMH N/A with 480V

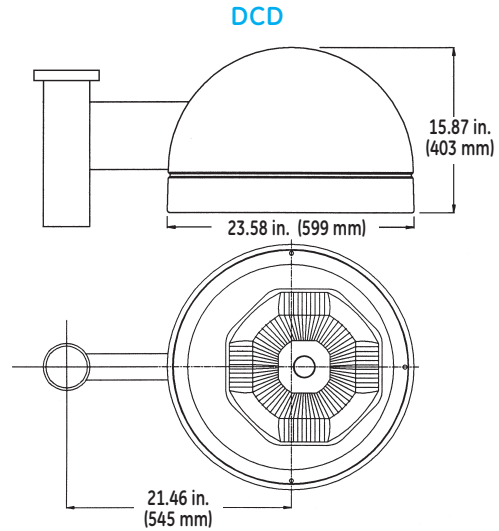
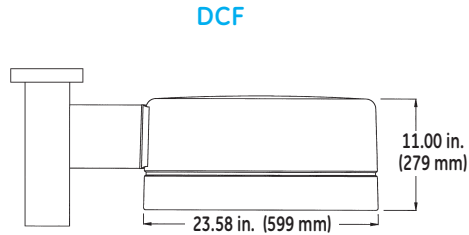
TOP TENNON ACCESSORY (Order fixture with "R" Mounting)

- D4TA**-R-SGL** = Single
- D4TA**-R-D90** = Double at 90°
- D4TA**-R-D180** = Double at 180°
- D4TA**-R-T90** = Triple at 90°
- D4TA**-R-Q90** = Quad at 90°

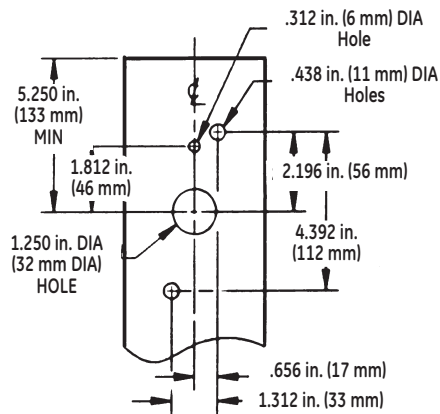
** Use same color code as fixture

NOTE: Ordering Numbers are for dome top luminaires; add "F" to Ordering Number for flat top luminaires.

Product Dimensions

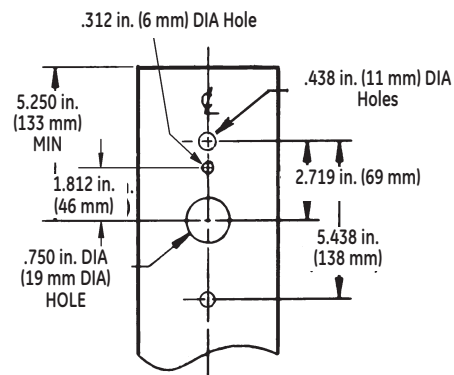


DRILLING TEMPLATE FOR SQUARE POLE MOUNTING: STANDARD



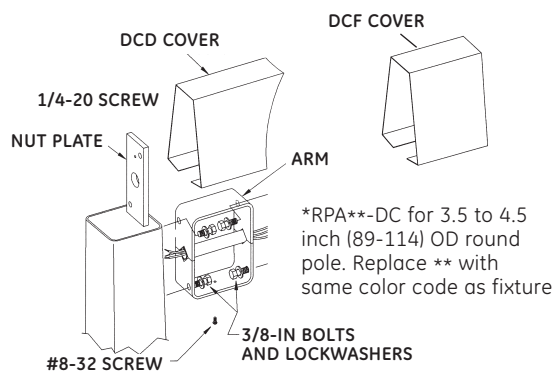
DRILLING TEMPLATE

DRILLING TEMPLATE FOR ROUND POLE MOUNTING: MUST ORDER ROUND POLE ADAPTER ACCESSORY SEPARATELY*



DRILLING TEMPLATE

POLE MOUNTING DETAIL



DATA

- Approximate Net Weight: 40-48 lbs (18-22 kgs)
- Suggested Mounting Height: 20-40 ft. (6-12 M)
- Effective Projected Area:

Flat Top	1.9 sq. ft. max. (0.18 sq. M max.)
Dome Top	1.8 sq. ft. max. (0.17 sq. M max.)



GE Lighting Solutions • 1-888-MY-GE-LED • www.gelightingsolutions.com

1-888-69-43-533

GE Lighting Solutions, LLC is a subsidiary of the General Electric Company. The GE brand and logo are trademarks of the General Electric Company.
© 2012 GE Lighting Solutions, LLC. Information provided is subject to change without notice. All values are design or typical values when measured under laboratory conditions.