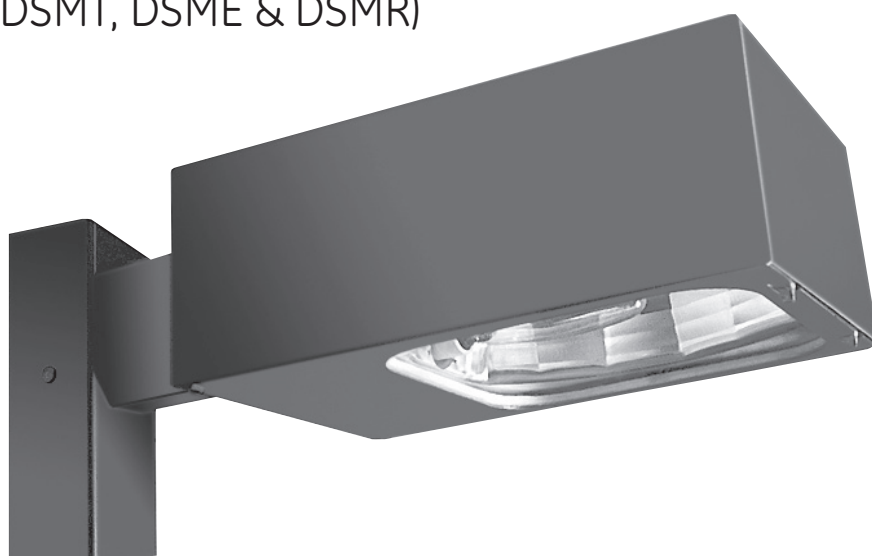


GE  
Lighting Solutions

## Area Lighting

Decashield™ 400 (DSMT, DSME & DSMR)



imagination at work

## Product Features

Designed for superior photometric performance and architectural appeal, GE Outdoor Area Sighlighters provide broad application flexibility. From parking lots to downtown areas, hospitals to shopping malls, business complexes to residential neighborhoods, these fixtures will satisfy your large area lighting needs, while complementing your aesthetic desires.

### Applications

- Walkways, driveways, tennis courts, malls, shopping centers, commercial and industrial complexes
- Residential areas and parkway lighting

### Housing

- Heavy-duty die-cast aluminum housing and door

### Finish

- Polyester powder paint finish in dark bronze, black, gray, white or aluminum

### Rating

-  /  1598 Listed Suitable for Wet Locations

### Mounting

- Decorative Mounting Arm standard for flat or curved (for 3.5 to 4.5) OD pole (drilling templates are the same as those for the Decashield 1000™ and Dimension™ luminaires)

### Reflectors

- ALGLAS™ finish on Type II, Type III and Type V reflectors, anodized finish on Forward Throw reflector

### Unique Features

- No-tool access stainless steel latch design
- Heat and impact resistant tempered flat glass lens
- Type II, Type III metal halide, and all Forward Throw reflectors are field rotatable
- Enclosed and gasketed optical
- Mogul base socket – E39 standard, except 150W Pulse MH and below supplied with Medium Base Plug-in ignitor
- Unit shipped complete in one carton (Ballast secured to housing)
- Removable ballast tray
- Magnapack packaging available

# Ordering Number Logic

## Decashield™ 400 (DSMT, DSME & DSMR)



G

PROD. ID	WATTAGE	LIGHT SOURCE	VOLTAGE	BALLAST TYPE SELECTION	PE FUNCTION	LENS TYPE	IES DISTRIBUTION TYPE	COLOR	OPTIONS
<b>DSMT</b> = Decashield 400 Luminaire with Ballast Tray Flat Surface & Mounting Arm  <b>DSME</b> = Decashield 400 Luminaire with 2" External Slipfitter Installed  <b>DSMR</b> = Decashield 400 Luminaire with Ballast Tray & Direct Mounting Arm to Round Pole	<b>15</b> = 150 (55V) <b>17</b> = 175 <b>20</b> = 200 <b>24</b> = 250/400* <b>25</b> = 250 <b>32</b> = 320 <b>35</b> = 350 <b>40</b> = 400  *250/400 connected 250W for HPS only	<b>E</b> = Energy Act Compliant Pulse MH (EPMH) <b>S</b> = HPS <b>P</b> = Pulse MH  <b>Standard:</b> Magul base lamp not included.	<b>60Hz</b> <b>0</b> = 120/208/240/277 Multivolt  <b>1</b> = 120 <b>2</b> = 208 <b>3</b> = 240 <b>4</b> = 277 <b>5</b> = 480 <b>D</b> = 347 <b>F</b> = 120X347 <b>T</b> = 220  <b>50Hz</b> <b>Y</b> = 240  <b>NOTE:</b> 120 X 347 connected for 120V	See Ballast and Photometric Selection Table  <b>A</b> = Autoreg <b>D</b> = Bi-Level <b>G</b> = Mag-Reg with Grounded Socket Shell <b>H</b> = HPF Reactor or Lag <b>K</b> = Hot Restrike (Must also order "P" option at right. (Non-UL) Contact Factory) <b>M</b> = Mag-Reg <b>P</b> = CWI with Grounded Socket Shell	<b>1</b> = None <b>2</b> = PE Receptacle <b>4</b> = PE Receptacle and Shorting Cap  <b>NOTE:</b> Receptacle connected same voltage as unit.	<b>G</b> = Flat Glass	See Ballast and Photometric Selection Table  <b>MC2</b> = Medium Cutoff Type II *  <b>MC3</b> = Medium Cutoff Type III *  <b>FWC</b> = FWT w/ILS* <b>FWT</b> = Forward Throw*  <b>HTV</b> = Horizontal Type V *  * = Previously IESNA Full Cutoff Optics	<b>AL</b> = Aluminum <b>BL</b> = Black <b>DB</b> = Dark Bronze (Standard) <b>CG</b> = Charcoal Gray <b>WH</b> = White  <b>NOTE:</b> Contact Manufacturer for other colors.	<b>C</b> = Charcoal Filter (Not available with FWT) <b>F</b> = Fusing (Not available with multivolt or 120X347V) <b>J</b> = Line Surge Protector, Expulsion Type (UL not available) <b>P</b> = Prewire with 6' of 14/3 cable. <b>R</b> = No Mounting Arm or Slipfitter

## Ballast and Photometric Selection Table

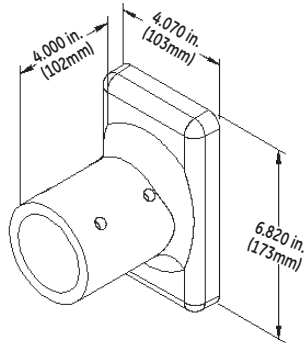
All light sources are clear unless otherwise indicated.

Wattage	Ballast Type/Voltage						IES Distribution Type					
	Light Source	Multivolt	120	208,240 277,480	347, 120X347	220	50Hz	MC2	MC3	FWT	HTV	FWC
150(55V)	HPS	H,K,A	G,H,M,A	G,M,A	H	N/A	N/A	178591	178596	178604	178599	452557
250, 400	HPS	A, K	A, P	A	A	A,H	A	178592	177315	178605	178600	452555
**150	PMH	N/A	A,H	H*	H	N/A	N/A	454163	454165	454164	454182	C/F
175, 320	EPMH	A	A	A*	N/A	N/A	N/A	178594	178597	178607	178602	452559
250	EPMH	A	A	A	N/A	N/A	N/A	178594	178597	178607	178602	452559
350, 400	EPMH	A	A	A*	N/A	N/A	N/A	178595	178598	178608	178603	452554

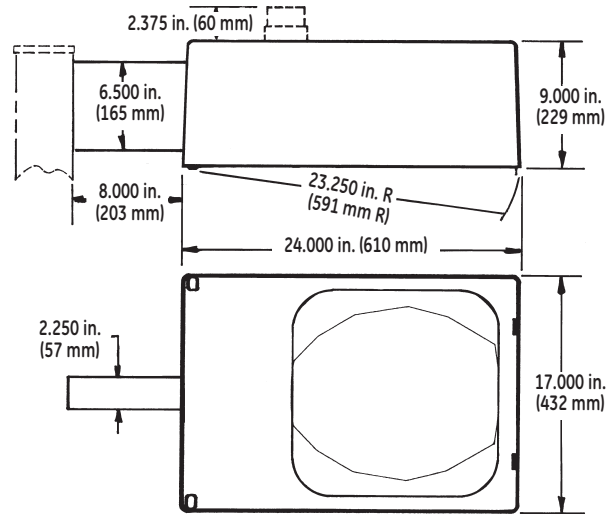
**NOTE:** N/A = Not available. C/F = Contact Manufacturer \*150, 320 and 350W PMH N/A 480V \*\*Medium Base Socket

# Product Dimensions

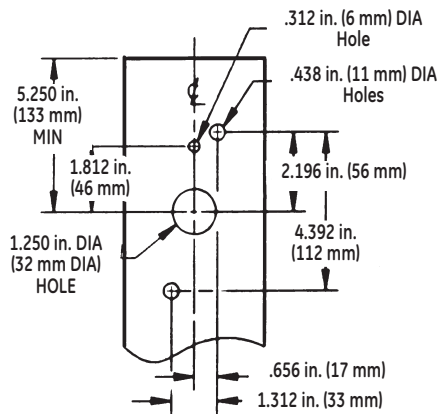
**DSME MOUNTING**



**DSMT**

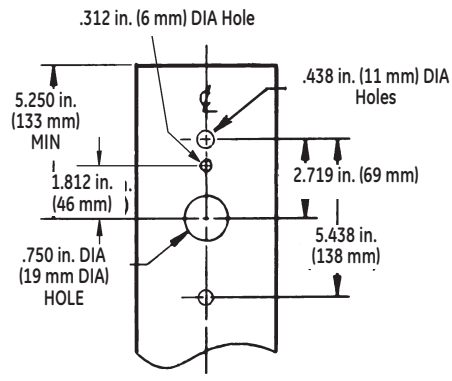


**DSMT SQUARE POLE MOUNTING: STANDARD**



**DRILLING TEMPLATE**

**DSMR ROUND POLE MOUNTING  
3.5 to 4.5-inch (89 to 114mm) OD round pole**



**DRILLING TEMPLATE**

**DATA**

- Approximate Net Weight: 35-45 lbs (16-18 kgs)
- Suggested Mounting Height: 20-40 ft. (6-12 M)
- Effective Projected Area:
 

No Mounting Arm	1.4 sq. ft. max. (0.13 sq. M max.)
Single with 8 in. (203mm) Mounting Arm	1.8 sq. ft. max. (0.17 sq. M max.)
Double with 8 in. (203mm) Mounting Arm at 180°	3.6 sq. ft. max. (0.33 sq. M max.)
Triple with 8 in. (203mm) Mounting Arm at 90°	4.3 sq. ft. max. (0.40 sq. M max.)
Quad with 8 in. (203mm) Mounting Arm at 90°	4.9 sq. ft. max. (0.46 sq. M max.)
Double with 8 in. (203mm) Mounting Arm at 90°	2.5 sq. ft. max. (0.23 sq. M max.)

**NOTE:** The wind loading of Decashield Luminaires, when mounted to poles in multiples radially about the axis of the pole, do not necessarily have the EPA of a single luminaire multiplied by the number of luminaires.



GE Lighting Solutions • 1-888-MY-GE-LED • [www.gelightingsolutions.com](http://www.gelightingsolutions.com)

1-888-69-43-533

GE Lighting Solutions, LLC is a subsidiary of the General Electric Company. The GE brand and logo are trademarks of the General Electric Company.  
© 2012 GE Lighting Solutions, LLC. Information provided is subject to change without notice. All values are design or typical values when measured under laboratory conditions.