

GE
Lighting Solutions

Industrial Lighting

C1S Conserva™ 150 (C1S)



imagination at work

Product Features

GE Indoor Lighting luminaires are designed to produce optimum illumination from the lamp, optical system and ballast, while providing specific light patterns for specific applications. These reliable systems help to improve safety and energy savings, while enhancing productivity and efficiency, to put your industrial workplace in the best possible light.

Applications

- Low mounting height 8-20 ft. (2-6 meter) applications, assembly lines, manufacturing areas, food processing plants, warehouses and parking garages, other industrial applications





Housing

- Die-cast aluminum ballast housing

Finish

- Polyester powder gray paint finish

Ratings

-  /  Listed Suitable for Wet or Damp locations depending on mounting receptacle used
-  /  Listed for metal halide lamps in polymeric lamp containment barriers
- cUL Listed to Canadian standards & codes

Mounting

- Primary quick disconnect for easy mounting

Reflector

- Aluminum reflector with Alzak finish

Unique Features

- Standard construction is IP52
- Maximum seal reliability for clean optical component
- UV stabilized injection molded prismatic refractor for low brightness
- Mogul base socket - E39 standard
- Safety chain provisions
- Shipped as components: Ballast, Optical, Mounting Receptacle
- Magnapack available for ballast
- Pulse start system for metal halide available

Ordering Number Logic

C1S Conserva™ 150 (C1S)



C1S

TA

PROD. ID	WATTAGE	LIGHT SOURCE	VOLTAGE	BALLAST TYPE	AMBIENT °C	OPTICAL	MOUNTING RECEPTICAL	OPTIONS
C1S = Conserva 150 Luminaire	07 = 70 10 = 100 15 = 150 (55V) 17 = 175 25 = 250	E = Energy Act Compliant Pulse MH (EPMH) S = HPS K = Ceramic MH P = Pulse Start MH Note: Lamp is vertical base up. Lamp not included.	60Hz 0 = 120/208/240/277 MULTIVOLT 1 = 120 2 = 208 3 = 240 4 = 277 5 = 480 D = 347 F = 120X347 T = 220 50Hz 6 = 220 Y = 240 G = 380	See Ballast Selection Table A = Autoreg G = Mag-Reg with Grounded Socket Shell H = HPF Reactor or Lag K = Hot Restart M = Mag-Reg	See Ballast and Photometric Selection Tables 4 = 40 5 = 55	TA = Enclosed Acrylic	1 = Ceiling (MPM-C) 2 = 3/4-in. Pendant, Rigid (MPM-3PR)* 3 = 3/4-in. Pendant, Rigid, Wet Locations (MPM-3PRW)* 4 = 3/4-in. Pendant, Rigid, with Thru Feed, Wet Locations (MPM-3PRTFW)* 5 = 3/4-in. Pendant, Flexible (MPM-3PF) 6 = Outlet Box Cover (MPM-OBC)	B = Time Delay Automatically Switch Quartz F = Fusing Q = Non-Time Delay Automatically Switch Quartz Note: Wet location determined by mounting receptacle

***NOTE:** Flexible pendant mounting receptacle must be used if unit is not rigidly mounted or fixture will not hang straight

Photometric Selection Table

C1S

Wattage	Light Source	Maximum Ambient	Spacing Criteria	Photometric Curve
70*	PMH	40C	1.6	452584
100*	PMH	40C	1.7	452583
175	EPMH	40C	1.7	175836
175(COATED)	EPMH	40C	1.9	175924
250	EPMH	40C	1.7	175836
250(COATED)	EPMH	40C	1.9	175924
70*	Ceramic MH	40C	1.6	452585
100*	Ceramic MH	40C	1.7	452586
150*	PMH	40C	1.6	452582
70,100	HPS	55C	1.8	175835
150(55V)	HPS	55C	1.8	175835
250	HPS	40C	1.8	175842

* Medium base socket. (Lamp not included)

Note: C/F = Call Factory

Ballast Selection Table

Ballast Type / Voltage										
60HZ		120, 208, 240, 277			120 x 347			50HZ		
Wattage	Light Source	Multivolt	480	347	347	220	220	230	240	380
70	HPS	H,K	G,H**,K,M	G,H,K	H,K	N/A	N/A	M	N/A	N/A
100	HPS	H,K	G,H**,K,M	G,H,K	H,K	N/A	H,M	H,M	H	N/A
150(55V)	HPS	H,K	G,H**,K,M	G,H,K	H,K	A,M	H	H	H	N/A
250	HPS	A	A	A	A	N/A	H	H,A	H,A	N/A
70*	Cer, MH	H	H	H	N/A	N/A	N/A	N/A	N/A	N/A
100*	Cer, MH	H	H	H	N/A	N/A	N/A	N/A	N/A	N/A
70*	MH	H	H	H	N/A	N/A	N/A	N/A	N/A	N/A
100*	MH	H	H	H	N/A	N/A	N/A	N/A	N/A	N/A

PULSE START METAL HALIDE LIGHT SOURCE BALLAST SELECTION TABLE

150*	P (MH)	N/A	H**	H	N/A	N/A	N/A	N/A	N/A	N/A
175	EPMH	N/A	A	A	A	N/A	N/A	N/A	N/A	N/A
250	EPMH	A	A	A	A	N/A	N/A	N/A	N/A	N/A

NOTE: N/A = Not Available

* Medium base socket (Lamp not included)

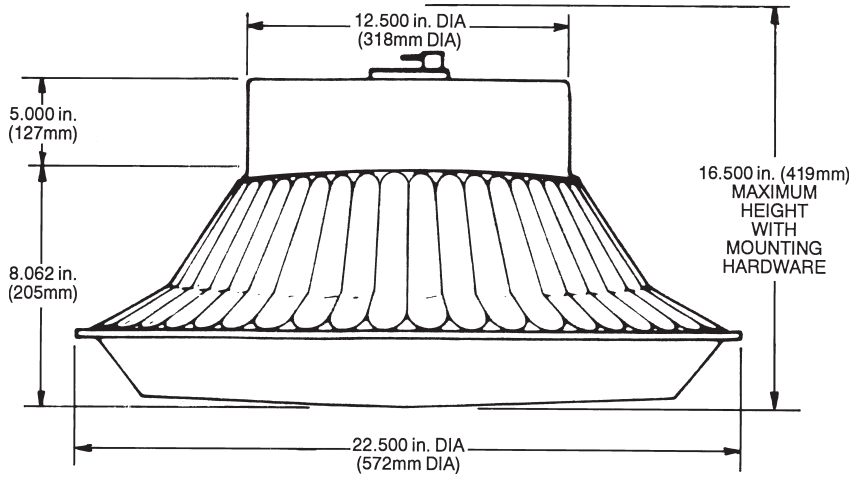
** 480 Volt not available

CANADIAN NOTES:

- "A", Autoreg, and "H", HPF available 120, 277 or 347 volts only
- 208, 240, and 480 volts require CWI ballast. Use "G" when available. Contact factory for all others.
- Multivolt not available.
- "K" Hot Restart not available.
- 208, 240 and 480 volts with "G" ballast not available with switched quartz.

Product Dimensions

C1S Conserva™ 150 (C1S)



DATA

- Approximate Net Weight:
Ballast and Optical: 21-32 lbs (10-15 kgs)



GE Lighting Solutions • 1-888-MY-GE-LED • www.gelightingsolutions.com

1-888-69-43-533

GE Lighting Solutions, LLC is a subsidiary of the General Electric Company. The GE brand and logo are trademarks of the General Electric Company.
© 2011 GE Lighting Solutions, LLC. Information provided is subject to change without notice. All values are design or typical values when measured under laboratory conditions.