



GUIDE FORM SPECIFICATIONS HIGH MAST LUMINAIRE

GENERAL DESCRIPTION

The complete weather-resistant luminaire designated _____ (identify) shall be a GE HIGH MAST luminaire, ordering number _____ (specify HMAA, plus ordering number logic from catalog) or approved equal, for operation of one _____ (specify [400, 750 or 1000] watt high pressure sodium [HPS], or [400 or 1000] watt metal halide) lamp from a nominal _____ (specify 120, 208, 220, 240, 277, 347 or 480) volt, 60 Hz or (220, 230 or 240) volt, 50 Hz power source and shall be capable of starting and operating the specified lamp within the limits specified by the lamp manufacturer. The luminaire shall contain a completely prewired integral ballast and optical assembly that shall provide an IES Distribution Type _____ (specify according to photometric selection table). Labeling shall be in accordance with ANSI standards. The luminaire shall be UL/cUL Listed SUITABLE FOR WET LOCATIONS. Standard construction is IP65 for enclosed luminaires and IP 23 for open luminaires.

MECHANICAL CONSTRUCTION

The luminaire shall include a cast aluminum ballast and slipfitter-mount and formed aluminum ballast cover with electrocoat gray paint finish and an aluminum reflector. The slipfitter will be suitable for 2-inch (60 mm) horizontal pipe tenon mounting and will be adjustable $\pm 3^\circ$ for leveling. A thread rolling set screw will be included to prevent twisting of the luminaire on the bracket. The ballast cover shall be held in place by a stainless steel screw for easy access. All hardware shall be non-corrosive.

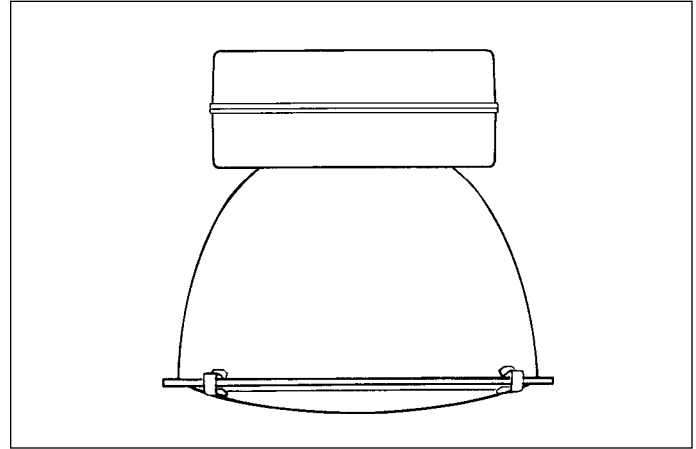
BALLAST OPERATION

All ballast components will be accessible from the top with the luminaire mounted and aimed. The ballast shall be prewired to the ignitor (for HPS lamps), lamp socket and terminal board, requiring connection of power supply leads to the terminal board only.

The luminaire shall contain a standard _____ (specify) type ballast* in full compliance with lamp-ballast specifications available to the fixture manufacturer from the lamp manufacturers at the time of fixture manufacture.

The ballast shall reliably start and operate the lamp in ambient temperatures down to -20°F for metal halide or -40°F for HPS.

The luminaire and ballast shall be from the same manufacturer.



OPTICAL ASSEMBLY

OPEN AND VENTILATED

The optical assembly shall include a formed aluminum reflector, faceted to redirect reflected light away from the lamp arc tube. The reflector shall have a chemically-bonded lightweight non-breakable ALGLAS® finish on all surfaces.

The optical assembly shall contain an E39 mogul base socket with superior lamp gripping. The socket shall have added insulation, giving it the ability to handle the higher pulse ratings of newer HID systems.

ENCLOSED AND FILTERED

The enclosed and filtered optical assembly shall include a hinged lens ring and heat/impact-resistant tempered glass lens held in place by six spring clamps, and a sintered metal filter to permit passage of air and therefore allow for breathing of the luminaire during normal off-on heating and cooling cycles.

The enclosed and filtered optical assembly shall contain a reflector with ALGLAS finish capable of producing a _____ (specify symmetrical distribution pattern or asymmetrical distribution pattern). (1000 watt HPS lamp must be used with enclosed and filtered luminaire only.)

* REFER TO PRODUCT PAGE FOR BALLAST SELECTIONS. FOR MORE DEFINITIVE INFORMATION, REFER TO BALLAST SPECIFICATIONS IN TECHNICAL DATA SECTION.



GE Lighting Solutions • 1-888-MY-GE-LED • www.gelightsolutions.com
1-888-69-43-533

GE Lighting Solutions is a subsidiary of the General Electric Company. Evolve and other trademarks belong to GE Lighting Solutions. The GE brand and logo are trademarks of the General Electric Company. © 2011 GE Lighting Solutions. Information provided is subject to change without notice. All values are design or typical values when measured under laboratory conditions.