


# GE TORCH™ II LUMINAIRE

## APPLICATIONS

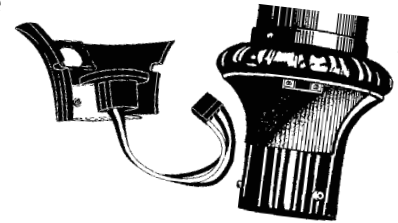
- Residential roadways, walkways, shopping centers, malls and plazas
- Historic restorations and downtown business districts

## SPECIFICATION FEATURES

### Suitable For Wet Locations

- Ornamental borosilicate glass globe:
  - aesthetically pleasing refractor for daytime and nighttime appeal
  - adds historic look
- Terminal Board standard for simplified wiring
- Twist Lock photoelectric receptacle
- Powder coat paint available in 188 RAL colors
- Crowns, ribs and finials available
  - see decorative post top accessories page A-55
- Built to /UL standards

- Ornamental heavy gage cast aluminum base
- Optional 120v Simplex receptacle available
- E39 Mogul base socket standard where lamp is available in mogul base (E26 Medium base socket otherwise)
- Luminaire shipped as components: Base, Optical
- Tool-less removable door for access to terminal board and PE receptacle
- Cast ring on globe for robust glass mounting
- Ballast mounted on plate for easy maintenance



## ORDERING NUMBER LOGIC

T2HX	10	S	1	N	1	2G	G	S	BLCK	XXX
PRODUCT IDENT	WATTAGE	LIGHT SOURCE	VOLTAGE	BALLAST TYPE	PE FUNCTION	GLOBE TYPE**	GLOBE MATERIAL	IES DISTRIBUTION TYPE	COLOR	OPTIONS
XXX	XX	X	X	X	X	X	X	X	XXXX	XXX
T2HX = Torch 2	05 = 50 07 = 70 10 = 100 15 = 150 (55V) 25 = 250	E = Energy Act Compliant Pulse MH (EPMH) S = HPS P = PMH	60Hz 0 = Multivolt 1 = 120 2 = 208 3 = 240 4 = 277 5 = 480 D = 347 F = 120X347	A = Autoreg H = HPF Reactor or Lag N = NPF Reactor or Lag	1 = None 2 = PE Receptacle	2G = Torch 2 Globe	G = Glass	A = Asymmetric S = Symmetric	ALUM = Aluminum BLCK = Black CHGR = Charcoal Gray DKBZ = Dark Bronze GRAY = Gray XXXX = RAL number	R = 120V Outlet* U = UL

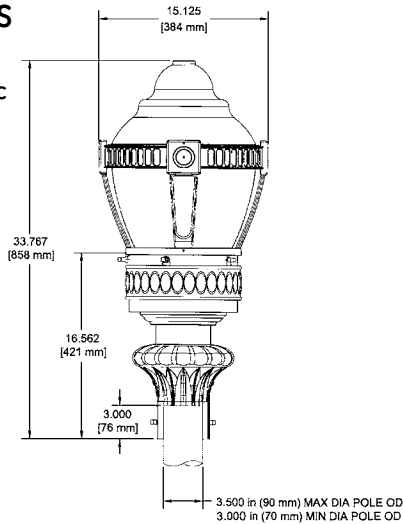
\*\*"R" option for 120V unit only.

\*\*See Photometric Selection Tables starting on Page A-70.

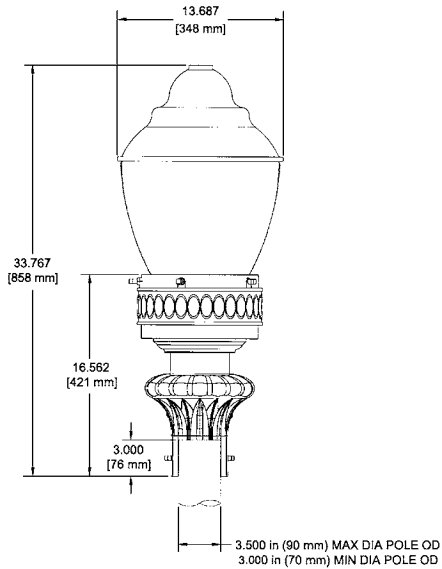
# GE TORCH™ II LUMINAIRE

## FIXTURE DIMENSIONS

2GG  
Asymmetrical and Symmetric  
Distribution available



**TORCH II WITH  
CROWN AND RIB SET**



**TORCH II**

**TORCH II  
CROWN AND RIB SET**

**A**  
AREA LIGHTING



## DATA

Approximate Net Weight	40-45 lbs	18-20 kgs
Suggested Mounting Height	8-16 ft.	2-4 M
Effective Projected Area:	1.48 sq ft max	0.137 sq M max

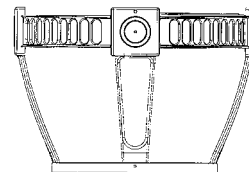
## BALLAST SELECTION TABLE

All light sources are clear unless otherwise indicated.

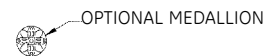
Wattage	Light Source	Ballast Type/ Voltage 60 Hz			
		120	347 120 x 347	Multivolt	120x240
50	HPS	H,N	H,N	H,N	N/A
70	HPS	H,N	H,N	H,N	N/A
100	HPS	H,N	H,N	H,N	N/A
150 (55v)	HPS	H,N	H,N	H,N	N/A
250	HPS	A	A	A	N/A
*70, 100	PMH	H,N	H,N	H,N	N/A
*150	PMH	H,A	H	N/A	A
250	EPMH	A	N/A	A	N/A

**NOTE:** See Photometric Selection Table starting on Page A-50

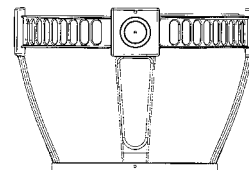
\*Medium Base Socket



**CRNBBL-2G  
SHEETMETAL**



OPTIONAL MEDALLION



**CRNBBL-T2H  
DIECAST ALUMINUM**

## REFERENCES

See Page A-64 for start of Accessories.

See Page A-68 for Explanation of Options and Other Terms Used.

See Pole and Bracket Section Page P-2 for pole selection.