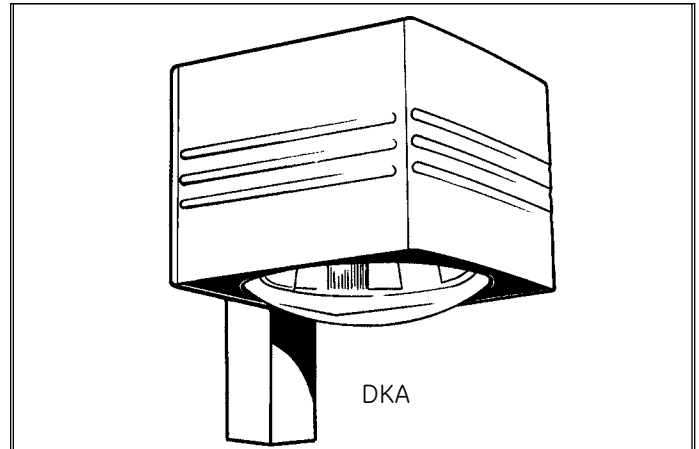




## GUIDE FORM SPECIFICATIONS DIMENSION™ 1000 LUMINAIRE

### GENERAL DESCRIPTION

The luminaire designated \_\_\_\_\_ (identify) shall be a GE DIMENSION™ 1000 luminaire ordering number DKA, plus ordering number logic from catalog or approved equal, to operate one \_\_\_\_\_ specify [250, 350, 400, 750 or 1000] watt high pressure sodium [HPS] or [250, 400 or 1000] watt metal halide) lamp from a nominal \_\_\_\_\_ (specify 120, 208, 220, 240, 277, 347 or 480 volt, 60 Hz or 220, 230 or 240 volt, 50 Hz) power source and shall be capable of starting and operating the specified lamp within the limits specified by the lamp manufacturer. The luminaire shall contain a completely prewired integral ballast and an optical assembly that shall provide a Distribution Type \_\_\_\_\_ (specify according to photometric selection table in the catalog). The luminaire shall be UL/cUL Listed SUITABLE FOR WET LOCATIONS and UL Listed to Canadian National Standards and Codes. Standard construction is IP55. Ballast, housing, optical and luminaire assembly shall all be from the same manufacturer.



### OPTICAL ASSEMBLY

The cutoff optical assembly shall have a \_\_\_\_\_ (specify one-piece hydroformed aluminum reflector with a chemically bonded lightweight non-breakable ALGLAS® finish on all surfaces and a SAG glass lens. The optical assembly shall contain a mogul base E39 socket with superior lamp gripping. The socket shall have added insulation, giving it the ability to handle the higher pulse ratings of newer HID systems. The optical shall be enclosed, sealed and gasketed with an activated charcoal filtering system to keep hydrocarbon materials from entering and permanently bonding to the optical reflecting surfaces. The optical seals shall consist of standard EPDM rubber gaskets.

\*REFER TO PRODUCT PAGE FOR BALLAST SELECTIONS. FOR MORE DEFINITIVE INFORMATION, REFER TO BALLAST SPECIFICATIONS IN TECHNICAL DATA SECTION.

### MECHANICAL CONSTRUCTION

The luminaire shall have a precision engineered, sealed and gasketed, all-aluminum housing and one-piece die-cast aluminum door. The door shall be hinged with two stainless steel butt type hinges, and shall be held shut with two stainless steel thumb latches for no-tool access to the optical compartment.

There shall be a decorative mounting arm of \_\_\_\_\_ (specify 4, 8 or 12) inches. All exposed aluminum surfaces shall have a \_\_\_\_\_ (specify dark bronze, black, white, charcoal gray or aluminum) polyester powder paint finish. There shall be a prewired photoelectric control receptacle available or a photoelectric control receptacle with shorting cap.

### BALLAST OPERATION

The luminaire shall have a \_\_\_\_\_ (specify) type ballast\* with an electrical quick disconnect. The plug-in type ignitor (for HPS only) and ballast shall be prewired to the lamp socket requiring connection of power supply leads only. The ballast shall be in full compliance with lamp-ballast specifications available to the fixture manufacturer from the lamp manufacturers at the time of fixture manufacture.

The ballast shall reliably start and operate the lamp in ambient temperatures down to -20°F for metal halide and -40°F for HPS.



GE Lighting Solutions • 1-888-MY-GE-LED • [www.gelightsolutions.com](http://www.gelightsolutions.com)  
1-888-69-43-533

GE Lighting Solutions is a subsidiary of the General Electric Company. Evolve and other trademarks belong to GE Lighting Solutions. The GE brand and logo are trademarks of the General Electric Company. © 2011 GE Lighting Solutions. Information provided is subject to change without notice. All values are design or typical values when measured under laboratory conditions.