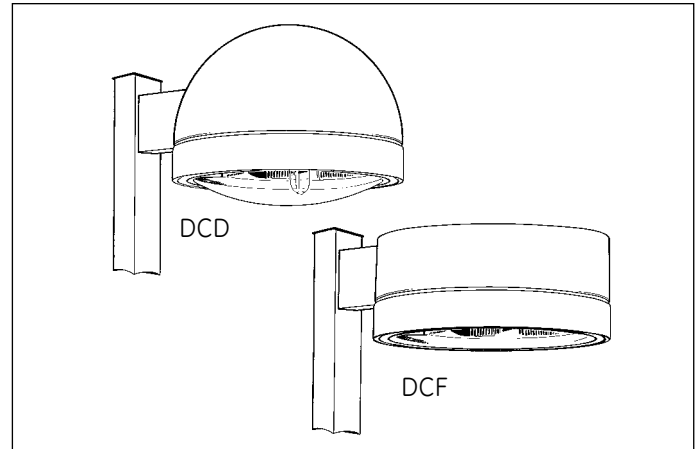




GUIDE FORM SPECIFICATIONS DECASPHERE™ LUMINAIRE

GENERAL DESCRIPTION

The luminaire designated _____ (identify) shall be a GE DE-CASPHERE™ luminaire ordering number _____ (specify DCD or DCF, plus ordering number logic from catalog) or approved equal, to operate one _____ specify [70, 100, 150 (55V), 250, or 400] watt high pressure sodium [HPS] or [175, 250, or 400] watt metal halide) lamp from a nominal _____ (specify 120, 208, 240, 277, 347 or 480) volt, 60 Hertz power source and shall be capable of starting and operating the specified lamp within the limits specified by the lamp manufacturer. The luminaire shall contain a completely prewired integral ballast and an optical assembly that shall provide a Distribution Type _____ (specify MC2, MC3, HTV, SQA or FWT according to photometric selection table in the catalog). The luminaire shall be UL/cUL Listed SUITABLE FOR WET LOCATIONS. Standard construction is IP54. Ballast, housing, optical and luminaire assembly shall all be from the same manufacturer.



MECHANICAL CONSTRUCTION

The luminaire shall have a precision engineered, sealed and gasketed, spun aluminum housing and one-piece die-cast aluminum door. The door shall be hinged internally and shall be held shut with 1-1/4-inch (32mm) latch screws.

All exposed aluminum surfaces shall have a _____ (specify dark bronze, black, white, charcoal gray or aluminum) polyester powder paint finish _____ (specify without reveal or with [black reveal (aluminum, dark bronze, or white) or white reveal (black or dark bronze)]). There shall be a choice of 6-inch (152mm) arm or tenon top mounting. There shall be a prewired photoelectric control receptacle available or a photoelectric control receptacle with shorting cap.

BALLAST OPERATION

The luminaire shall have a _____ (specify) type ballast* with an electrical quick disconnect. The plug-in type ignitor (for HPS only) and ballast shall be prewired to the lamp socket requiring connection of power supply leads only. A terminal board shall be standard. The ballast shall be in full compliance with lamp-ballast specifications available to the fixture manufacturer from the lamp manufacturers at the time of fixture manufacture.

The ballast shall reliably start and operate the lamp in ambient temperatures down to -20°F for metal halide and -40°F for HPS.

OPTICAL ASSEMBLY

The optical assembly shall have a _____ (specify one-piece formed aluminum reflector with a chemically bonded light-weight non-breakable ALGLAS® finish on all surfaces or forward throw reflector with an anodized finish, rotatable 90° in either direction and heat/impact resistant tempered flat glass lens or SAG glass. All reflectors shall be field rotatable. The optical assembly shall contain a mogul base socket with superior lamp gripping. The socket shall have added insulation, giving it the ability to handle the higher pulse ratings of newer HID systems. The optical shall be sealed by a standard EPDM rubber gasket. (There shall be an optional charcoal filtered optical available except with FWT reflector.)

*REFER TO PRODUCT PAGE FOR BALLAST SELECTIONS. FOR MORE DEFINITIVE INFORMATION, REFER TO BALLAST SPECIFICATIONS IN TECHNICAL DATA SECTION.



GE Lighting Solutions • 1-888-MY-GE-LED • www.gelightsolutions.com
1-888-69-43-533

GE Lighting Solutions is a subsidiary of the General Electric Company. Evolve and other trademarks belong to GE Lighting Solutions. The GE brand and logo are trademarks of the General Electric Company. © 2011 GE Lighting Solutions. Information provided is subject to change without notice. All values are design or typical values when measured under laboratory conditions.