

DECAFLOOD™ 400

HID GENERAL PURPOSE FLOODLIGHTING

HID Lamp Included



APPLICATIONS

- Parking lots, building/area security, facade lighting, industrial yards, recreational areas, and any other general purpose area lighting application.

SPECIFICATIONS

- 1598 Listed
Suitable For Wet Locations
- Housing - Low copper content, die cast aluminum
- Reflector - Corrosion resistance anodized coating
- Dark Bronze powder coated polyester paint
- Ballast - Multivolt (120, 208, 240, & 277V) reconnectable autoregulator, connected 277V
- Mounting Variations - Units are available with:
 - Trunnion - pre-wired with 6' of #14/3 SEOW cord
 - 2 3/8" maximum OD pipe slipfitter.

FEATURES

- Units are supplied with the lamp in the same package.
- Unit incorporates an easy access stainless steel "bail" type latch and comes with provisions for tamper resistant screw closure - hardware is included.
- Wide variety of accessories available for spill and skyglow control.
- Units are available with standard twist-lock photoelectric control receptacle (PE suffix).
- Small compact size and aesthetically pleasing appearance.
- Wide beam optics for maximum area light coverage.

F

FLOOD LIGHTING



The Energy Independence and Security Act of 2007 (EISA) affects Metal Halide (MH) and Pulse Metal Halide (PMH) wattages from 175W to 450W and for domestic usage, the new digit is "E = EISA-compliant PMH" which has a minimum efficiency of 88%. In many cases, the lumen value and lamp life of a lesser wattage meets or exceeds the former MH ballast/lamp system. For 175W applications, where 175W E-PMH is not available, 150W PMH may be an acceptable substitute. 150W PMH is medium base socket unless otherwise listed or requested.

ORDERING NUMBER LOGIC

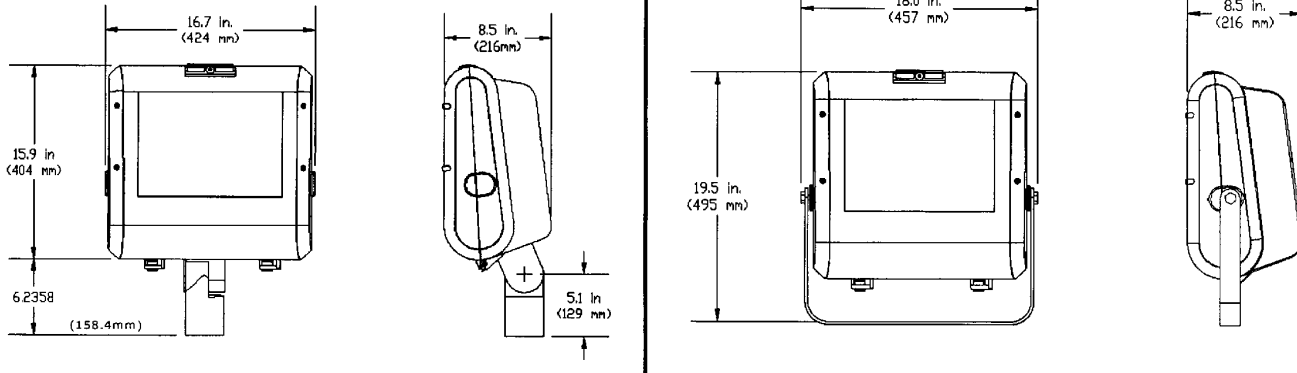
DFS	40	M	PE
PRODUCT IDENT	WATTAGE	LIGHT SOURCE	PE FUNCTION
XXX	XX	X	XX
DFT = TRUNNION DFS = SLIPFITTER	25 = 250 40 = 400	S = HPS C/F	PE = PE RECEPTACLE (if required)

C/F = Contact Factory

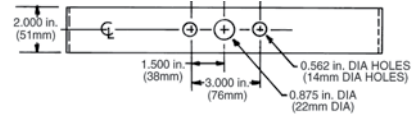
® Registered Trademark of General Electric Company
™ Trademark of General Electric Company

DECAFLOOD™ 400 HID GENERAL PURPOSE FLOODLIGHTING

FIXTURE DIMENSIONS



TRUNNION UNIT SUPPLIED WITH 6 FEET OF #14/3 SEOW CABLE



DATA

Approximate Net Weight	34 lbs	15.4 kgs
Effective Projected Area	2.2 sq ft max	.2 sq M max
Suggested Mounting Height	20-60 ft	6-18 M

PHOTOMETRIC SELECTION TABLE

Wattage	Light Source	Photometric Curve Number
400	MH	35-452936
250	MH	35-452937
400	HPS	35-452938
250	HPS	35-452939

ACCESSORIES

Top and side visor	TSVADKBZ-CFSX
Full visor	FVADKBZ-CFSX
Wire Guard	WG-CFSX
Barndoors	BDADKBZ-CFSX

Lexan vandal shield	LVS-CFSX
Cross arm mounting adapter	CAA-001

