

GE LEGACY™ LUMINAIRE

ORDERING INFORMATION FOR GE LIGHTING SOLUTIONS RENEWAL PARTS

REF. NO.	DESCRIPTION	CATALOG NUMBER
1	Globes listed on back page	
2	Socket with leads Mogul	35-964640-51
2	Socket with leads Medium	35-219755R01
3	Ballast replacement kits: See the table on the accompanying page. . .	
4	Capacitor: Secure the old part number from the existing part or the microfarad and voltage value and use to cross reference chart in the renewal parts catalog.	
5	Ignitor	35-967410-51
6	PE Control Receptacle Kit	PEK-120, or 240, or 277
7	Terminal Board	35-420420R01
8	Internal Glass Refractor Kit Type II/III	35-963700-09
8	Internal Glass Refractor Kit Type V	35-963700-10

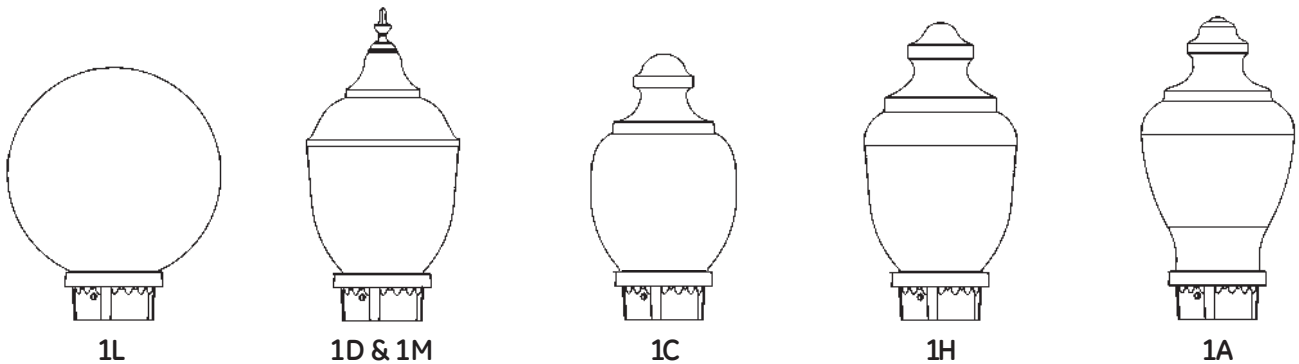
Continued on back page

BALLAST REPLACEMENT PARTS

Includes ballast mounting plate core and coil, capacitor, igniter, when required.

WATTAGE	VOLTAGE	BALLAST TYPE	CATALOG NUMBER
HIGH PRESSURE SODIUM			
50	120/208/240/277	HPF-LAG	35-963700-11
70	120/208/240/277	HPF-LAG	35-963700-12
100	120/208/240/277	HPF-LAG	35-963700-03
150	120/208/240/277	HPF-LAG	35-963700-13
METAL HALIDE or MERCURY			
175	120/208/240/277	AUTO-REG	35-963700-14
METAL HALIDE			
50	120/208/240/277	LAG	35-963700-05
70	120/208/240/277	HPF-LAG	35-963700-06
100	120/208/240/277	HPF-LAG	35-963700-07

LGCX, LGCF
RENEWAL PARTS
GE LEGACY™ LUMINAIRE



LEGACY™ GLOBE REPLACEMENT

OPT	1A	8	S	B	S	XXX	BLCK
PRODUCT IDENT	GLOBE SHAPE (FIRST ALWAYS NUMBER SECOND ALPHA)	NECK SIZE	FINIAL READY	GLOBE MATERIAL	GLOBE TYPE	OPTIONS	COLOR
		9 = 9"	F = Finial S = Standard	A = Acrylic B = Polycarbonate C = Polycarb/Acrylic D = White Polycarb E = White Acrylic G = Glass H = 2% White Acrylic	S = Symmetric A = Asymmetric		(used only on globes shipped with metal parts)
	1A = Traditional Prismatic 1C = Traditional Standard 1D = Colony 1H = Classic Prismatic 1L = Impression (22") 1M = Colony W/Crown and Ribs	9 9 9 9 9	F or S F or S F or S F or S S only F or S	B or C B B or A A D B or A	S or A S S or A S or A S S or A		(used only on globes shipped with metal parts) ALUM = Aluminum BLCK = Black BRWN = Brown CHGR = Charcoal Gray FGRN = Forest Green GRAY = Gray WHTE = White

9 IN. NECK	Globe Shape	Finial Ready	Material	Globe Type
OPT-1A9FBA	1A	YES	POLYCARB	ASYM
OPT-1A9FCA	1A	YES	COMPOSITE	ASYM
OPT-1A9FCS	1A	YES	COMPOSITE	SYMM
OPT-1A9SBA	1A		POLYCARB	ASYM
OPT-1A9SCA	1A		COMPOSITE	ASYM
OPT-1A9SCS	1A		COMPOSITE	SYMM
OPT-1C9FBS	1C	YES	POLYCARB	SYMM
OPT-1C9SBA	1C		POLYCARB	ASYM
OPT-1C9SBS	1C		POLYCARB	SYMM

9 IN. NECK	Globe Shape	Finial Ready	Material	Globe Type
OPT-1C9SDS	1C		POLY/WHITE	SYMM
OPT-1D9SAS	1D		ACRYLIC	SYMM
OPT-1H9FAA	1H	YES	ACRYLIC	ASYM
OPT-1H9FAS	1H	YES	ACRYLIC	SYMM
OPT-1H9SAS	1H		ACRYLIC	SYMM
OPT-1L9SDS	1L		POLY/WHITE	SYMM
OPT-1M9FASXXX-BLCK	1M	YES	ACRYLIC	SYMM
OPT-1M9SASXXX-BLCK	1M		ACRYLIC	SYMM
OPT-1N9FAA	1N	YES	ACRYLIC	ASYM



GE Lighting Solutions • 1-888-MY-GE-LED • www.gelightingsolutions.com
1-888-69-43-533

GE Lighting Solutions is a subsidiary of the General Electric Company. Evolve and other trademarks belong to GE Lighting Solutions. The GE brand and logo are trademarks of the General Electric Company. © 2011 GE Lighting Solutions. Information provided is subject to change without notice. All values are design or typical values when measured under laboratory conditions.