



VBC VERSABEAM™ COMPACT FLUORESCENT LUMINAIRE

High Bay or Low Bay, Enclosed – Surface Mount Optical Series

With
EZ Connect™

APPLICATIONS

- Commercial / Retail applications where color rendering and instant-on characteristics are desired. For use in multipurpose, gymnasium, auditorium environments where multiple light levels and high quality of lighting are critical. For light industrial, assembly and general purpose applications where lighting control and consistent light output is required.

SPECIFICATION FEATURES

- UL 1598 Listed
- Suitable For Damp Locations**
- UL Listed to Canadian standards and codes
- Enclosed and gasketed optics
- 40 deg. C. ambient rating standard
- UV stabilized injection molded refractor for low brightness.
- Refractor with combination of reflecting and refracting prisms for high efficiency and good brightness control
- In line EZ Connect™ plug-in adapter port allows for:
 - Quick, easy fixture installation and removal
 - Hook, Loop, cord and plug options
 - Plug-in modular wiring systems
 - Adaptable to EZ Connect™ accessories
- Symmetrical, hexagonal heavy duty die-cast aluminum ballast housing with white polyester paint standard
- ALGLAS finish on faceted reflector
- Standard threaded slide-in mounting adapter for easy installation
- Supplied with lamps (not installed)
- Shipped as components: Ballast, Optical and CFL Socket adapter reflector pan

INDOOR LIGHTING

ORDERING NUMBER LOGIC

VBC	W	48	F	0	F	EA	VA	11	
PRODUCT IDENT	COLOR	WATTAGE	LIGHT SOURCE	VOLTAGE	BALLAST TYPE	OPTICAL	PHOTOMETRY	MOUNTING STYLE	OPTIONS
XXX	X	XX	X	X	X	XX	XX	XX = Select Code Below	XXX
VBC = Versabeam Compact Fluorescent Luminaire	W = Polyester Powder White	See Table Below	F = Fluorescent 4100K Color Temp 4-Pin Bi-ax Lamps Included	60Hz 0 = 120/208/240/277 Multivolt 1 = 120 2 = 208 3 = 240 4 = 277 *Single voltage selection for 120, 208, 240, 277 available only when ordering installed cord sets, (31, 33 and Modular Prewire), or Fusing. Otherwise order "0" for Multivolt 120/208/240/277 50Hz 6 = 220 R = 230 Y = 240	F = Standard Electronic	EA = Enclosed Acrylic Refractor	VA = Fixed	11 = Pendant Mounting / EZ Connect 13 = Provision for Slide-on Primary Electrical Disconnect. Order TWOBP Box (Thru Feed Capability) separately 14 = Provision for Slide-on Primary Electrical Disconnect. (Pendant and Thru Feed Capability) Order PED Box separately 15 = Prewire with EZ Loop, Cord and Plug Part or "Power Hook" (Order Receptacle/Hook Box Separately) (Not CSA/CUL) 31 = Prewire with EZ-Hook, 3-ft (0.9 Meters) #16/3 Cord, and Nema Plug 33 = Prewire with EZ-Loop, 3-ft (0.9 Meters) #16/3 Cord, and Nema Plug (Order locking receptacle hook box separately.) 92 = Individual ballast leads provided for switched light levels / individual ballast circuiting MODULAR PREWIRE 41 = ACS with 3-ft (0.9 meter) cord & EZ-Hook 69 = ACS with 6-ft (1.8 meter) cord & EZ-Hook 43 = ACS with 3-ft (0.9 meter) cord & EZ-Loop 70 = ACS with 6-ft (1.8 meter) cord & EZ-Loop PLUG-N-GO 51 = Plug-N-Go with 3 ft. (0.9 meter) Cord & Hook 71 = Plug-N-Go with 6 ft. (1.8meter) Cord & Hook 53 = Plug-N-Go with 3 ft. (0.9 meter) Cord & Loop 72 = Plug-N-Go with 6 ft. (1.8 meter) Cord & Loop Note: ACS = Flex 3+ Plug-N-Go = FSC Series	F = Fusing (Fuse Option not available with Multivolt) (Dual Fusing, 208-240 volt, not available with CUL Listing) G = Secondary Wiring Access 7/8 in. diameter knockout R = "Pre-wired for emergency battery back-up (supplied by others) with 7/8" OD customer access (120 or 277 volt only)

FLUORESCENT WATTAGE ORDER INFORMATION

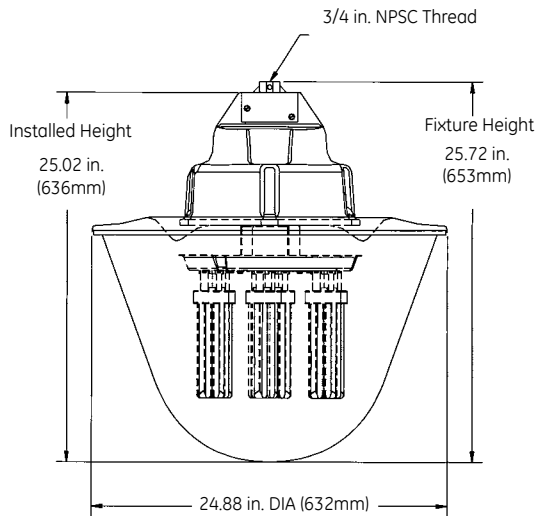
EA, Optical - Enclosed Acrylic					
Wattage Order Code	Wattage	Number of Lamps	SC	Photo Curve	*Lumen Multiplier
36	32	6	1.7	452892	.52
38	32	8	1.7	452892	.69
43	42	3	1.7	452892	.38
44	42	4	1.7	452892	.50
48	42	8	1.7	452892	1.00
73	70	3	1.8	452893	.61
74	70	4	1.8	452893	.81
76	70	6	1.8	452893	1.22

* Multiply rated lumens from curve listed by "Lumen Multiplier" to provide accurate lumen value for corresponding lamp combination

VBC VERSABEAM™ COMPACT FLUORESCENT LUMINAIRE

High Bay or Low Bay, Enclosed – Surface Mount Optical Series

FIXTURE DIMENSIONS



DATA

Approximate Net Weight Total Fixture	lbs 31 - 34	kgs 14 - 15
---	----------------	----------------

BALLAST SELECTION TABLE

Single Lamp Wattage	Light Source	Ballast Type and Voltage							
		60 hz					50 hz		
		Multi	120	208	240	277	220	230	240
32	CFL	Yes	Yes	Yes	Yes	Yes	Yes	Yes	Yes
42	CFL	Yes	Yes	Yes	Yes	Yes	Yes	Yes	Yes
70	CFL	Yes	Yes	Yes	Yes	Yes	Yes	Yes	Yes

CFL = Compact Fluorescent

Compact Fluorescent provided with electronic ballast. 4-pin biax lamp included.

COMPACT FLUORESCENT BENEFITS:

- **Instant on** - Compact fluorescent lamps produce light instantly. This allows for the system to be turned off and on as required for optimized energy savings
- **Instant restrike** - Compact fluorescent lamps come on as soon as they are energized with no delayed restrike time. The need for emergency switched quartz restrike feature is eliminated.
- **Color Rendering** - White light with a color rendering index (CRI) of 82 provides for constant, uniform color over the life of the lamp. High CRI allows for brighter, clearer, more vibrant color recognition
- **Elimination of UV** - Compact fluorescent lamps eliminate the concerns of ultraviolet radiation.
- **Improved lumen maintenance** - Compact fluorescent lamps have less lumen depreciation at mean life than typical metal halide lamp types. This results in more consistent light output over the life of the lamp.
- **Low noise** - Compact fluorescent electronic ballasts used do not produce perceptible noise. Sound Rating A.
- **Switchable Light Levels** - Multiple ballasts provide the opportunity to independently switch lamp pairs for multiple, stepped light levels. Optional wiring for circuited versions is available.
- **Emergency battery back-up** - Battery back-up allows for emergency lighting without the need for an auxiliary power back-up system
- **Multiple lamp back-up** - The use of multiple lamps insures that with the independent failure of a single lamp, the fixture continues to provide light until relamping occurs.
- **Safe Operation** - Compact fluorescent light sources do not require specific operation guidelines for safe operation.

