



L1M LOWMOUNT® 150 LUMINAIRE

Low Bay, Enclosed

APPLICATIONS

- Low mounting height 8-20 ft. (2-6 meters) applications in factories, foundries, canneries and textile, metal, chemical, rubber, food, cement, and other industrial applications

SPECIFICATION FEATURES

- 1598 Listed **Suitable For Damp Locations**
- 1598 Listed for metal halide lamps in polymeric lamp containment barriers
- Listed to Canadian Standards
- Enclosed and gasketed optics
- Charcoal filtered optics
- Alzak[†] finish on reflector
- Die-cast aluminum ballast housing with polyester powder gray paint finish
- UV stabilized injection molded prismatic refractor for low brightness
- Safety chain provisions
- Mogul base socket -E39 standard
- Shipped as components: Ballast, Optical
- Magnapack available for ballast.

INDOOR LIGHTING



ORDERING NUMBER LOGIC

L1M	25	S	0	A	4	17	TA	D
PRODUCT IDENT	WATTAGE	LIGHT SOURCE	VOLTAGE	BALLAST TYPE	AMBIENT DEG. C	SPACING CRITERIA	OPTICAL CODE	OPTIONS
XXX	XX	X	X	X	X	XX	XX	X
L1M = Lowmount 150 Luminaire	07 = 70 10 = 100 15 = 150 (55V) 25 = 250	E = Energy Act Compliant Pulse MH (EPMH) S = HPS NOTE: Lamp is tilted base up 20° above horizontal except 175 watt metal halide is vertical base up. Lamp not included.	60Hz 0 = 120/208/240/277 MULTIVOLT 1 = 120 2 = 208 3 = 240 4 = 277 5 = 480 D = 347 F = 120X347 50Hz 6 = 220 R = 230 Y = 240	See Ballast Selection Table A = Autoreg G = Mag-Reg with Grounded Socket Shell H = HPF Reactor or Lag K = Hot Restart M = Mag-Reg	4 = 40 5 = 55 NOTE: Limit 40°C for 250 watt and all severe duty	15 = 1.5 17 = 1.7	TA = Enclosed Acrylic	B = Time Delay Automatically Switch Quartz D = Severe Duty (Meets Wet location) E = Provision for slide on Primary Electrical Disconnect. Order TWOBP Box (Thru feed capability only) separately. (Not available with D or W option). F = Fusing J = Rewire with Loop, cord, and plug part of Power Hook. Order Receptacle/Hook Box separately. (Not CSA/CUL) M = Rewire with Loop, 3-ft (0.9 meters) #16-3 Cord, and Nema Plug. (Order Locking Receptacle Hook Box Separately) N = Provision for slide on primary Electrical Disconnect. Order PED Box (Pendant and thru feed capability) separately. (Not available with D or W option) P = Rewire with Hook, 3-ft (0.9 meters) #16/3 Cord and Nema Plug Q = Non-Time Delay Automatically Switch Quartz W = Wet Location

PHOTOMETRIC SELECTION TABLE

Lowmount 150				
Wattage	Light Source	Maximum Ambient	Spacing Criteria or IES Distribution Type	Photometric Curve
70, 100, 150	HPS	55C	1.7	175762
250	HPS	40C	1.7	175851
250	EPMH	40C	1.5	177180
250	EPMH(Coated)	40C	1.5	175839

Note: See page T-34 for Alternative lens material explanation

Note: See page I-104 for Accessory Index and Descriptions.
Note: See page I-129 for explanation of Options.

L1M LOWMOUNT® 150 LUMINAIRE

Low Bay, Enclosed

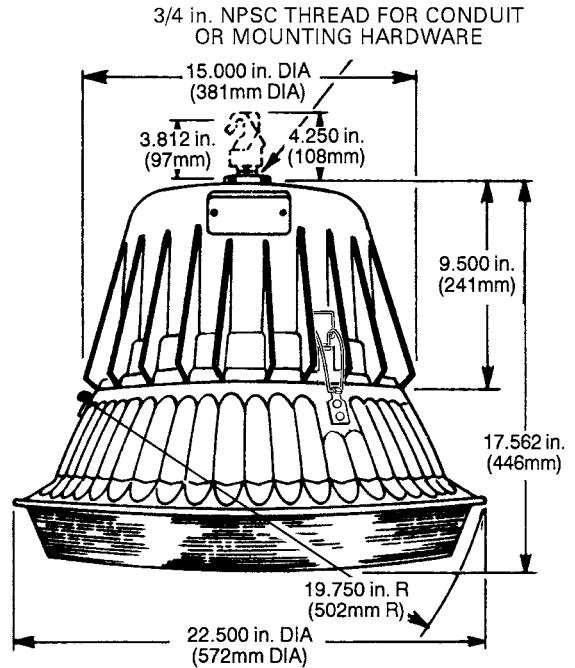
REFERENCES

See Page I-104 for start of Accessories.

See Page I-117 for Component Ordering Logic.

See Page I-129 for Explanation of Options and Other Terms Used.

FIXTURE DIMENSIONS



DATA

Approximate Net Weight	lbs	kgs
Ballast and Optical	25-33	11-15

BALLAST SELECTION TABLE

Wattage	Light Source	Ballast Type / Voltage									
		60HZ					50HZ				
		Multivolt	120, 208 240, 277 480	347	120 x 347	220	220	230	240	380	
70	HPS	A,H,K	G,K,M	H,G	H	N/A	N/A	N/A	N/A	N/A	
100	HPS	A,H,K	G,K,M	H,G	H	N/A	N/A	N/A	N/A	N/A	
150(55V)	HPS	A,H,K	G,K,M	H,G	H	N/A	N/A	N/A	N/A	N/A	
250	HPS	M	M,G	A,G	A	N/A	A,H	A,H	A,H	M	
250	EPMH	A	A	A	A	N/A	A	A	A	N/A	

NOTE: N/A = Not Available
* 480 volt not available

CANADIAN NOTES:

- "A", Autoreg, 120, 277 or 347 volts only
- 208, 240, and 480 volts require CWI ballast. Use "G" when available. Contact factory for all others.
- Multivolt not available.
- "K" Hot Restart not available.
- 208, 240 and 480 volts with "G" ballast not available with switched quartz.