



L4MD LOWMOUNT® 400 LUMINAIRE

Low Bay, Enclosed

APPLICATIONS

- For 10-25 ft. (3-8 meter) applications in factories, foundries, canneries and textile, metal, chemical, rubber, food, cement, and other industrial applications

SPECIFICATION FEATURES

- 1598 Listed **Suitable For Damp Locations**
- 1598 Listed for metal halide lamps in polymeric lamp containment barriers
- Listed to Canadian Standards
- Standard construction is IP52 Wet location option meets IP54
- Enclosed and gasketed optics
- Efficient Vertical "Base Up" Socket on "L4MU"
- Low Glare Vertical "Base Down" Socket on "L4MD"
- Charcoal filtered optics
- Alzak[†] finish on reflector
- Threaded hub for easy mounting
- Die-cast aluminum ballast housing with polyester powder gray paint finish
- UV stabilized injection molded prismatic refractor for low brightness
- Safety chain provisions
- Mogul base socket -E39 standard
- Shipped as components: Ballast, Optical
- Magnapack available for ballast
- *Pulse start system for metal halide available. See Page I-131*

INDOOR LIGHTING

ORDERING NUMBER LOGIC

L4MD	40	S	0	A	5	17	AD	B
PRODUCT IDENT	WATTAGE	LIGHT SOURCE	VOLTAGE	BALLAST TYPE	AMBIENT DEG. C	SPACING CRITERIA	OPTICAL CODE	OPTIONS
XXXX	XX	X	X	X	X	XX	XX	X
L4MU = Lowmount 400 Luminaire (Lamp Base Up)	25 = 250 40 = 400	E = Energy Act Compliant Pulse MH (EPMH) S = HPS For International Markets only M = MH P = Pulse Start MH	60Hz 0 = 120/208/240/277 MULTIVOLT 1 = 120 2 = 208 3 = 240 4 = 277 5 = 480 D = 347 F = 120X347 T = 220	See Ballast Selection Table A = Autoreg G = Mag-Reg with Grounded Socket Shell H = HPF Reactor or Lag L = Super Low Loss Autoreg M = Mag-Reg P = CWI with Grounded Socket Shell	4 = 40 5 = 55	15 = 1.5 17 = 1.7 19 = 1.9	See Lens Material Table and Optical Selection Table	B = Time Delay Automatically Switch Quartz D = Severe Duty (Meets Wet location) E = Provision for slide on Primary Electrical Disconnect. Order TWOBP Box (Thru feed capability only) separately. (Not available with D or W option). F = Fusing J = Rewire with Loop, cord, and plug part of Power Hook. Order Receptacle/Hook Box separately. (Not CSA/CUL) M = Rewire with Loop, 3-ft (0.9 meters) #16-3 Cord, and Nema Plug. (Order Locking Receptacle Hook Box Separately) N = Provision for slide on primary Electrical Disconnect. Order PED Box (Pendant and thru feed capability) separately. (Not available with D or W option) P = Rewire with Hook, 3-ft (0.9 meters) #16/3 Cord and Nema Plug Q = Non-Time Delay Automatically Switch Quartz W = Wet Location
L4MD = Lowmount 400 Luminaire (Lamp Base Down) with Optical Disconnect			50Hz 6 = 220 R = 230 Y = 240 G = 380				See Optical Code table on next page.	Note: See page I-104 for Accessory Index and Descriptions. Note: See page I-129 for explanation of Options.

PHOTOMETRIC SELECTION TABLE

Lowmount 400					
Wattage	Light Source	Maximum Ambient	Spacing Criteria or IES Distribution Type	Photometric Curve Base-Up	Photometric Curve Base-Down
250	HPS	55C	1.9	175935	175089
400	HPS	55C	1.9	175935	175089
250	EPMH	55C	1.7	177700	N/A
400	EPMH	55C	1.7	177891	175087
400	EPMH(Coated)	55C	1.5	177892	175557
400	EPMH	55C	1.7	177891	175087
400	EPMH(Coated)	55C	1.5	177892	175557

L4MD LOWMOUNT® 400 LUMINAIRE

Low Bay, Enclosed

REFERENCES

See Page I-104 for start of Accessories.

See Page I-117 for Component Ordering Logic.

See Page I-129 for Explanation of Options and Other Terms Used.

DATA

Approximate Net Weight	lbs	kgs
Ballast and Optical	42-53	19-24

BALLAST SELECTION TABLE

Wattage	Light Source	Ballast Type / Voltage								
		Multivolt	60HZ			50HZ				
			120, 208 240, 277 480	347	120 x 347	220	220	230	240	380
250	HPS	A,M	A,G,L,M	A,G,L	A	A	A	A	A	M
400	HPS	A,M	A,G,L,M	A,G,L	A	N/A	A	A	A	M
250	MH	A	A,L	A	A	A	A	A	A	N/A
400	MH	A	A,L	A,L	A	A	A	A	A	N/A
PULSE START METAL HALIDE LIGHT SOURCE BALLAST SELECTION TABLE										
250	EPMH	A	A	A	A	N/A	N/A	N/A	N/A	N/A
400	EPMH	A	A	A	N/A	N/A	N/A	N/A	N/A	N/A

NOTE: N/A = Not Available

CANADIAN NOTES:

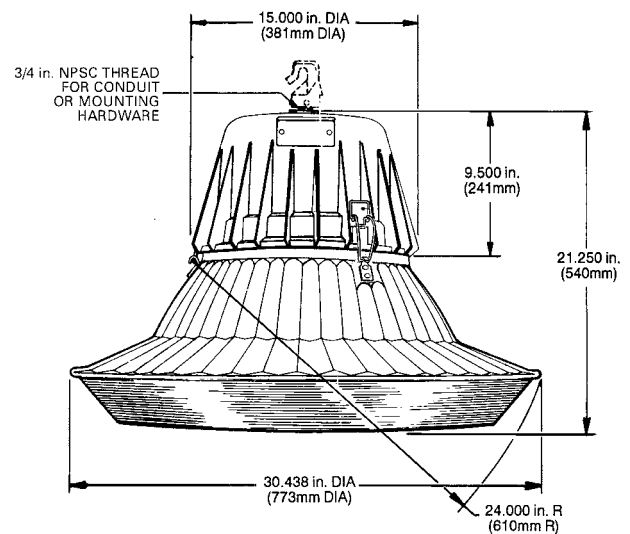
1. "A", Autoreg available 120, 277 or 347 volts only
2. 208, 240, and 480 volts require CWI ballast. Use "G" when available. Contact factory for all others.
3. Multivolt not available.
4. 208, 240 and 480 volts with "G" ballast not available with switched quartz.

LENS SELECTION TABLE

ACRYLIC

Optical Code	Material	Optical Configuration
AN	Standard Acrylic	Base-Up Lamp
AC	Standard Acrylic	Base-Up Lamp w/Optical Disconnect
AT	Standard Acrylic	Base-Up Lamp w/Relamp Door
AD	Standard Acrylic	Base-Down Lamp

FIXTURE DIMENSIONS



OPTICAL SELECTION TABLE

LOWMOUNT 400

Wattage	Light Source	Base-Up Lamp				Base-Down Lamp
		AN	AC	AT	AD	
250	HPS	AN	AC	AT	AD	
400	HPS	AN	AC	AT	AD	
250	EPMH	AN	AC	-----	-----	
400	EPMH	AN	AC	AT	AD	