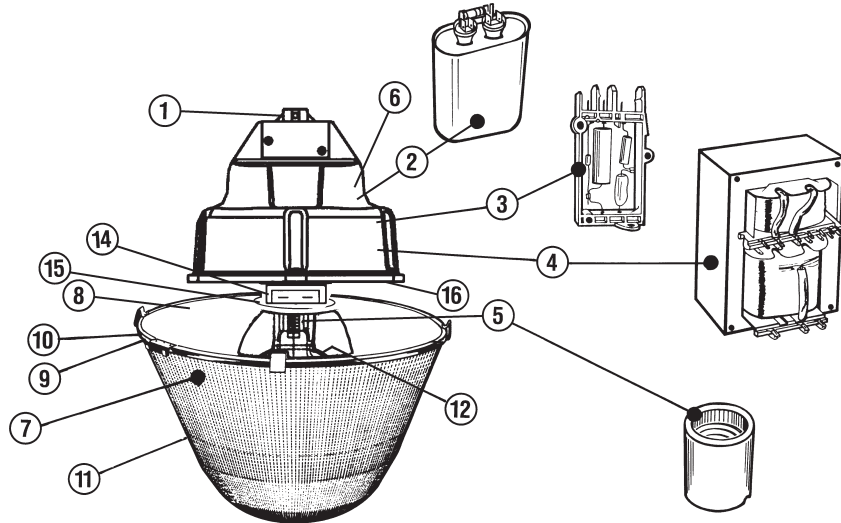




ILLUSTRATIONS SHOWN ARE TYPICAL REPRESENTATIONS



VERSABEAM™ LUMINAIRE, DISCONNECT (Gen 5)

ORDERING INFORMATION FOR GE LIGHTING SOLUTIONS RENEWAL PARTS		
REF. NO.	DESCRIPTION	CATALOG NUMBER
1	Sliding Hanger and Hub Assembly	35-966550-04
1a	EZ Connect plug assembly / Line Power side only (120, 277 or 347 volts)	35-966550-05
1b	EZ Connect plug assembly / Line Power side only (208, 240 or 480 volts)	35-966550-06
1c	EZ Connect plug assembly / Line Power side only (Multivolt 120/208/240/277 volts)	35-966550-07
2	Capacitor(s): Secure old catalog number from existing part. Use cross reference for new catalog number.	
3	Ignitor – HPS	35-967410-51
4	Ballast Replacement Kits	See back page
5	Socket, mogul base w/gasket & leads	35-964640-51
6	Automatic Switched Quartz Sensing Board: Secure old catalog number from existing part, see ignitor section of this catalog for new ordering catalog number.	
7	Quartz Socket (not shown)	35-212686R03
8	Reflector & Gaskets	35-965240-05
9	Clampband Assembly	35-965240-02
10	Reflector to Lens Gasket	35-217051R05
11	Refractor, Acrylic	35-232850R01
12	Reflector and Support Bracket	35-440857R01
14	Plug (female - on ballast assembly)	35-966130-96
15	Plug (male - on optical assembly)	35-966130-95
16	Bottom Plate with Disconnect (Gray)	35-966550-08

Continued on back page

# RENEWAL PARTS VERSABEAM™ LUMINAIRE, DISCONNECT (Gen 5)

## BALLAST REPLACEMENT PARTS

Consist of core & coil, capacitor, Igniter, leads & brackets when necessary. EZ Plug assembly, customer side and ballast side included. These kits can be used for units with or without Switch Quartz or fuses, no sensing board or fuses included. Use old parts or order separately.

WATT	VOLTAGE	BALLAST TYPE	CATALOG NUMBER
<b>HIGH PRESSURE SODIUM (HPS)</b>			
250	120/208/240/277	Mag-Reg	35-966550-18
250	120/208/240/277	Auto-Reg	35-966550-19
250	347	Mag-Reg	35-966550-20
250	120/347	Auto-Reg	35-966550-21
250	480	Mag-Reg	35-966550-22
250	480	Auto-Reg	35-966550-23
400	120/208/240/277	Mag-Reg	35-966550-24
400	120/208/240/277	Auto-Reg	35-966550-25
400	347	Mag-Reg	35-966550-26
400	120/347	Auto-Reg	35-966550-27
400	480	Mag-Reg	35-966550-28
400	480	Auto-Reg	35-966550-29
<b>METAL HALIDE (M)</b>			
175	120/208/240/277	Auto-Reg	35-966550-30
175	120/347	Auto-Reg	35-966550-31
175	480	Auto-Reg	35-966550-32
250	120/208/240/277	Auto-Reg	35-966550-33
250	120/347	Auto-Reg	35-966550-34
250	480	Auto-Reg	35-966550-35
400	120/208/240/277	Auto-Reg	35-966550-36
400	120/347	Auto-Reg	35-966550-37
400	480	Auto-Reg	35-966550-38
<b>PULSE METAL HALIDE (P)</b>			
175	120/208/240/277	Auto-Reg	Contact Factory
175	120/347	Auto-Reg	35-966550-40
175	480	Auto-Reg	35-966550-41
250	120/208/240/277	Auto-Reg	35-966550-42
250	120/347	Auto-Reg	35-966550-43
250	480	Auto-Reg	35-966550-44
320	120/208/240/277	Auto-Reg	35-966550-45
350	120/208/240/277	Auto-Reg	35-966550-48
400	120/208/240/277	Auto-Reg	35-966550-51
400	120/347	Auto-Reg	35-966550-52
400	480	Auto-Reg	35-966550-53
400	120	Mag-Reg	35-966550-114
400	208	Mag-Reg	35-966550-115
400	240	Mag-Reg	35-966550-116
400	277	Mag-Reg	35-966550-117
400	347	Mag-Reg	35-966550-118
400	480	Mag-Reg	35-966550-119



GE Lighting Solutions • 1-888-MY-GE-LED • [www.gelightingsolutions.com](http://www.gelightingsolutions.com)

1-888-69-43-533

GE Lighting Solutions is a subsidiary of the General Electric Company. Evolve and other trademarks belong to GE Lighting Solutions. The GE brand and logo are trademarks of the General Electric Company. © 2011 GE Lighting Solutions. Information provided is subject to change without notice. All values are design or typical values when measured under laboratory conditions.