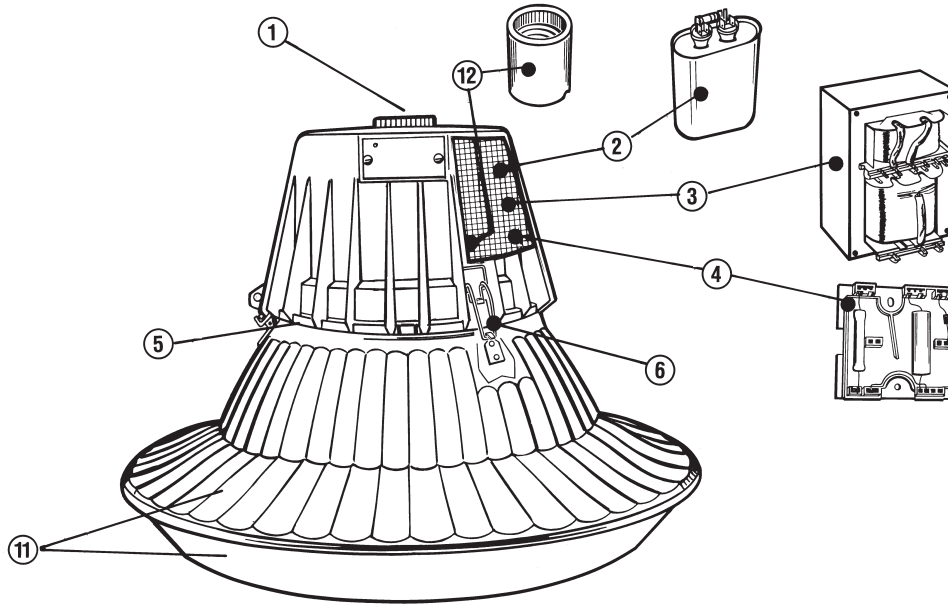




LOWMOUNT® 400 LUMINAIRE

ILLUSTRATIONS SHOWN ARE TYPICAL REPRESENTATIONS



LOWMOUNT® 400 LUMINAIRE

ORDERING INFORMATION FOR GE LIGHTING SOLUTIONS RENEWAL PARTS

REF. NO.	DESCRIPTION	CATALOG NUMBER
1	Hanger Hub Assembly	35-966360-10
2	Capacitor(s): Secure old catalog # from existing part. Use cross reference for new catalog #.	
3	Ballast Replacement Kits	See Back Page
4	Ignitor	35-967410-51
5	Auxiliary Reflector	35-231062R01
6	Latch, wire formed.	35-310393R06
7	Automatic Switched Quartz Sensing Board: Secure old catalog # from existing part. Use Ignitor cross reference for new catalog # (not shown).	
8	Plug (female) attached to ballast.	35-966130-96
9	Plug (male) attached to optical.	35-966130-95
10	Quartz Socket for units with quartz safety light (not shown).	35-212686R01
11	Neither reflector nor refractor can be supplied separately. Must order complete optical assembly from Product Catalog.	
12	Socket w/leads and gasket	35-964640-51

Continued on back page

L4MD, L4MU
RENEWAL PARTS
LOWMOUNT® 400 LUMINAIRE

LOWMOUNT® 400 LUMINAIRE

BALLAST REPLACEMENT PARTS

Consists of core & coil, capacitor, ignitor for HPS, leads & brackets when necessary. Can be used for units with or without switched quartz or fuses; however, no sensing board or fuses included. Use old parts or order separately.

WATTAGE	VOLTAGE	BALLAST TYPE	CATALOG NUMBER
HIGH PRESSURE SODIUM (HPS)			
250	120/208/240/277	Mag. Regulator	35-969920-01
250	480	Mag. Regulator	35-969920-02
400	120/208/240/277	Mag. Regulator	35-969920-03
400	480	Mag. Regulator	35-969920-04
METAL HALIDE AND MERCURY			
250	120/208/240/277	Auto-Regulator	35-969920-07
250	480	Auto-Regulator	35-969920-08
400	120/208/240/277	Auto-Regulator	35-969920-06
400	480	Auto-Regulator	35-969920-05



GE Lighting Solutions • 1-888-MY-GE-LED • www.gelightingsolutions.com
1-888-69-43-533

GE Lighting Solutions is a subsidiary of the General Electric Company. Evolve and other trademarks belong to GE Lighting Solutions. The GE brand and logo are trademarks of the General Electric Company. © 2011 GE Lighting Solutions. Information provided is subject to change without notice. All values are design or typical values when measured under laboratory conditions.