



## GUIDE FORM SPECIFICATIONS

### NUVATION™ INDUSTRIAL LUMINAIRE

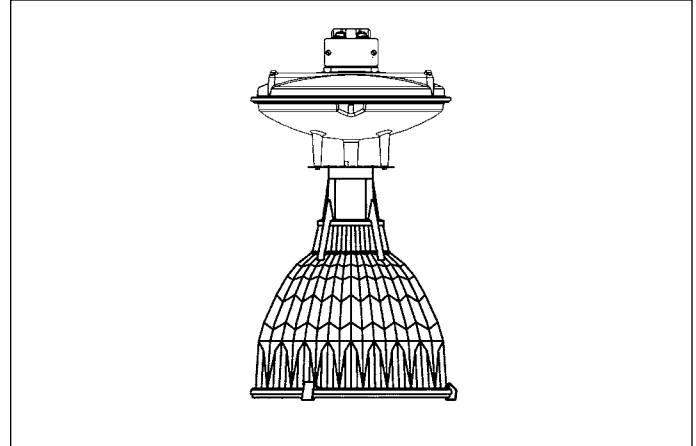
#### FILTERGLOW®

#### GENERAL DESCRIPTION

The complete luminaire designated \_\_\_\_\_ (identify) shall be a GE - "FGE" FILTERGLOW® luminaire, ordering number \_\_\_\_\_ (specify FGE, plus ordering number logic from catalog) or approved equal, to operate one \_\_\_\_\_ (specify [250, 320, 350 or 400] watt pulse start metal halide or [250, 320, 350 or 400] ceramic metal halide lamp from a line voltage range between 208 and 277 volts with a +/- 10% line voltage tolerance, 50/60 Hz and will automatically sense voltage within specified range.

The luminaire shall include a completely prewired integral electronic ballast and an optical assembly with \_\_\_\_\_ (specify 0.7, 1.0, 1.1, 1.2, 1.3, 1.5, 1.6 or 1.9 according to photometric selection table) IES Spacing Criterion (SC).

The luminaire shall be suitable for continuous service indoors in a maximum ambient temperature of 55°C. The luminaire shall be UL Listed SUITABLE FOR DAMP LOCATIONS. Standard construction is IP52. Units with W (Wet Location) option are IP54.



The socket shall be capable of field adjustment for varying Spacing Criterion (SC) without parts modification or replacement and with no more than a screwdriver for a tool. The optical assembly shall be enclosed with a continuous gasket and shall include an activated charcoal filter capable of filtering gaseous and particulate matter. The filter shall be constructed to permit free passage of air, allowing the luminaire to breathe during normal off-on heating and cooling cycles and therefore eliminating unnecessary stress on the gasketing. The filter assembly shall be factory installed, and shall be located to prevent accidental dislodgment when luminaire is installed.

Heat resistant borosilicate glass shall be used to enclose up-light apertures. Bottom door glass is impact-resistant tempered glass. The door glass assembly shall be hinged and latched for lamp access and shall be removable from the optical assembly without tools. The captive stainless spring steel door latches shall be over-center, vibration-resistant type, providing a spring-like clamping action to the gasket.

The reflector material shall be formed aluminum, faceted and with a chemically bonded lightweight non-breakable glass ALGLAS® finish on both inside and outside surfaces providing corrosion resistance, durability and easy cleaning.

FOR MORE DEFINITIVE ELECTRICAL INFORMATION, REFER TO BALLAST SPECIFICATIONS IN TECHNICAL DATA SECTION OR NUVATION BROCHURE OLP-2762.

#### MECHANICAL CONSTRUCTION

For ease of installation and to facilitate maintenance and replacement, the luminaire shall be supplied as components - ballast and optical.

The ballast housing shall be provided with easy-to-read moisture-resistant nameplates, which can be seen without disturbing the installed luminaire. All ballast and optical assemblies shall include provisions for optional field mounting safety chains.

The ballast housing shall be made out of die-cast aluminum. The ballast housing and adapter box shall have a white polyester paint finish.

To facilitate mounting, the luminaire shall have separate lightweight, slide-on adapter box that can be easily removed from the ballast housing and assembled to the structural or mounting hardware prior to mounting of the remainder of the luminaire. The slide-on mounting adapter box shall have provision for 3/4 inch pendant mounting with through feed capability and include easy access wiring box cover plates.

#### BALLAST OPERATION

See Nuvation Electronic Ballast Spec for specific specs.

#### OPTICAL ASSEMBLY

Mounting of the optical assembly to the ballast assembly must be secured by positive, vibration-resistant means. The optical and ballast assemblies must include a positive aligning electrical sliding disconnect allowing the socket to be shipped factory assembled as part of the optical assembly. The disconnect must have no exposed live metal parts.

The optical assembly shall contain an E39 mogul base socket with superior lamp gripping. The socket shall have ability to handle the higher pulse ratings of newer HID systems.



GE Lighting Solutions • 1-888-MY-GE-LED • [www.gelightsolutions.com](http://www.gelightsolutions.com)  
1-888-69-43-533

GE Lighting Solutions is a subsidiary of the General Electric Company. Evolve and other trademarks belong to GE Lighting Solutions. The GE brand and logo are trademarks of the General Electric Company.  
© 2011 GE Lighting Solutions. Information provided is subject to change without notice. All values are design or typical values when measured under laboratory conditions.