



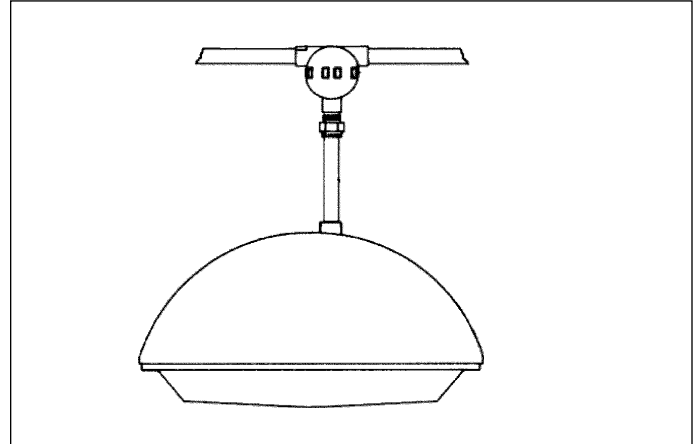
## GUIDE FORM SPECIFICATIONS

### FOOD-PRO™ II LUMINAIRE

#### Low Bay - Enclosed

##### GENERAL DESCRIPTION

The complete luminaire designated \_\_\_\_\_ (identify) shall be a GE FOOD PRO II™ luminaire with, ordering number \_\_\_\_\_ (specify XXX, plus ordering number logic from catalog) or approved equal, to operate one \_\_\_\_\_ (specify [250 or 400] watt high pressure sodium [HPS], [175, 250 or 400] watt metal halide or [250, 320, 350 or 400] watt pulse start metal halide) lamp from a nominal \_\_\_\_\_ (specify 120, 208, 220, 240, 277, 347 or 480) volt 60 Hz or (220, 230 or 240) volt 50 Hz power source. The luminaire shall include a completely prewired integral ballast and optical assembly. The luminaire shall be suitable for continuous service indoors in a maximum ambient temperature of 40°C. The luminaire shall be UL Listed SUITABLE FOR WET LOCATIONS, UL Listed for use in Hazardous Locations, Class II, Groups F & G, Division 2. The luminaire shall be NEMA 4 Wash-Down approved. The luminaire shall be tested and approved for hose-down conditions up to 1200 PSI. The luminaire shall be certified by the National Sanitation Foundation (NSF).



##### MECHANICAL CONSTRUCTION

For ease of installation and to facilitate maintenance and replacement, the luminaire shall be supplied as complete assembly.

A heavy duty mogul base socket with superior lamp gripping shall be mounted to the ballast housing. The socket shall have the ability to handle the higher pulse ratings of newer HID systems.

The luminaire assembly shall be provided with easy-to-read moisture-resistant nameplate. The ballast housing, and the lens frame, shall be made of cast aluminum. All external hardware shall be stainless steel. The ballast housing and lens frame shall have an electrocoat white paint finish as standard. Anodized finish can be provided as an option. The aluminum alloy housing shall be corrosion resistant and contain less than 1/2 of 1% of copper content.

##### BALLAST OPERATION

The luminaire shall contain a standard CWA type ballast\* in full compliance with lamp-ballast specifications available to the fixture manufacturer from the lamp manufacturers at the time of fixture manufacture.

The ballast shall reliably start and operate the lamp in ambient temperatures down to -20F for metal halide or -40F for HPS.

##### OPTICAL ASSEMBLY

The enclosed and gasketed optical assembly shall have an acrylic refractor with reflecting and refracting prisms. The optical assembly shall be made captive by means of stainless steel wire tether. The cast aluminum lens frame shall incorporate a one-piece, high temperature silicone gasket. The clear acrylic refractor shall be UV resistant and meet UL requirements for metal halide lamp containment.

\* REFER TO PRODUCT PAGE FOR BALLAST SELECTIONS. FOR MORE DEFINITIVE INFORMATION, REFER TO BALLAST SPECIFICATIONS IN TECHNICAL DATA SECTION.



GE Lighting Solutions • 1-888-MY-GE-LED • [www.gelightsolutions.com](http://www.gelightsolutions.com)  
1-888-69-43-533

GE Lighting Solutions is a subsidiary of the General Electric Company. Evolve and other trademarks belong to GE Lighting Solutions. The GE brand and logo are trademarks of the General Electric Company. © 2011 GE Lighting Solutions. Information provided is subject to change without notice. All values are design or typical values when measured under laboratory conditions.