



READ THOROUGHLY BEFORE INSTALLING

! WARNING

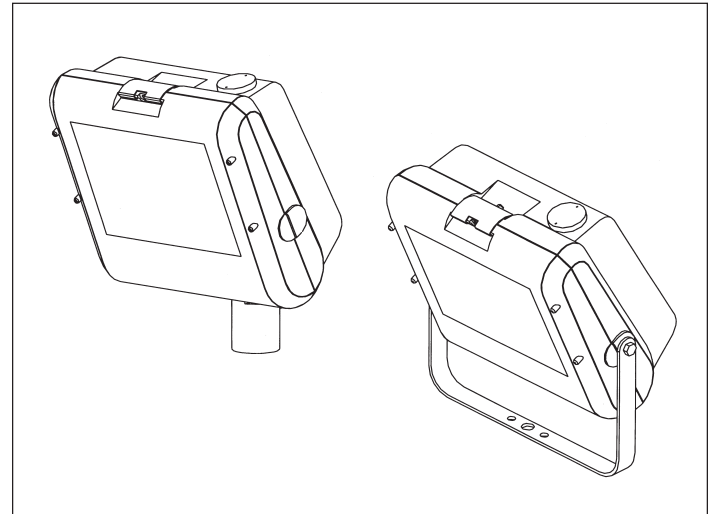
Risk of fire

- Keep combustible materials away from lens – see instructions
- Use lamps specified on nameplate

! WARNING

Risk of electric shock

- Turn power off before servicing – see instructions



The trunnion bracket has a clearance hole for a 3/4-inch bolt used for attachment to such mountings. The 3/8-inch holes on either side permit additional anchoring, where required. Tighten side trunnion bolts to 50 -55 foot pounds.

2. TENON MOUNTED UNITS — The slipfitter can be mounted on 1-7/8-inch O.D. through 2-3/8-inch O.D. Three set screws are used to clamp the floodlight securely to the pipe. Tighten set screws to 18 -22 foot pounds.

WIRING

Make all electrical connections in accordance with the National Electrical Code and any applicable local code requirements.

Verify that supply voltage is correct by comparing it to nameplate.

Luminaires are supplied with multi-volt (120/208/240/277 volts) ballasts. If another voltage is designed, remove wire crimp from ballast and input voltage leads and reconnect input voltage lead to ballast lead marked with desired voltage. Be sure to insulate the previously used ballast lead with wire nut or other appropriate means.

Connect ground lead to the green lead, green ground screw on housing or terminal block provided.

Do not remove insulated connectors from wires not needed for required voltage connection.

GENERAL

This luminaire is designed for outdoor lighting applications, and should not be used in areas of limited ventilation, or in high ambient temperature enclosures. Best results will be obtained if installed and maintained according to the following recommendations.

UNPACKING

This luminaire has been properly packed so that no parts should have been damaged during transit. Inspect to confirm.

MOUNTING

! CAUTION

Unit will fall if not installed properly

- Follow installation instructions

This floodlight is provided with either trunnion mounting, or tenon mounting. Luminaires are supplied with a tamper resistant screw that should be used to secure the door for low or ground mounted applications.

NOTE: The unit may be mounted to point from straight up to straight down but in no case may the ballast be located above the optical.

1. TRUNNION MOUNTED UNITS — Mounted directly on a flat surface. Mounting adapters are available for installation on poles, cross-arms, pipes, etc.

TRUNNION UNITS

1. Open the glass door.

NOTE: Door may be removed by opening approximately 190°, lifting up slightly and sliding to the right.

2. Remove protective insulation shield.

3. Make electrical connections to cord or leads in slip fitter wiring box.

4. Reposition protective insulation shield.

5. Close and secure door.

TENON PIPE UNITS — Open wiring compartment cover located on the mounting bracket. Make electrical connections and close wiring compartment cover.

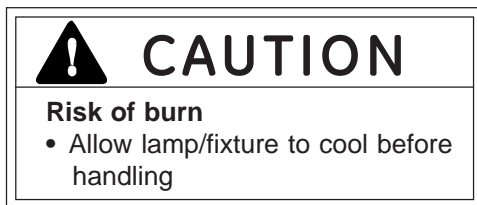
LAMPS

Use only lamps specified on nameplate. Observe lamp manufacturer's recommendations and restrictions on lamp operation, particularly ballast type, burning position, etc. Replace blackened lamps immediately.

Lamp Tightness – Mogul Base Lamp: The lamp should be securely inserted to the NEMA-EEI specified torque of 35 inch-pounds, which is best achieved by very firmly tightening to insure application of sufficient torque. Tightening must be sufficient to fully depress and load the center contact of the socket.

Note: Use of lubricants on lamp base or socket can cause rapid lamp failure and voids fixture warranty.

MAINTENANCE



Periodic cleaning on the outside of the door glass will ensure operation at maximum optical efficiency. The glass and reflector (if needed) should be cleaned with non-abrasive soap, cleaner, or detergent solutions, rinsed with cold water and wiped dry.

The light output is also dependent on the age of the lamp. In applications where the light level is critical, it may be desirable to replace lamps before they burn out. The lamp manufacturer can provide data showing how the lamp light output decreases with use.



GE Lighting Solutions • 1-888-MY-GE-LED • www.gelightingsolutions.com
1-888-69-43-533

GE Lighting Solutions is a subsidiary of the General Electric Company. Evolve and other trademarks belong to GE Lighting Solutions. The GE brand and logo are trademarks of the General Electric Company. © 2011 GE Lighting Solutions. Information provided is subject to change without notice. All values are design or typical values when measured under laboratory conditions.