



Dimension™ 1000 Luminaire

READ THOROUGHLY BEFORE INSTALLING

⚠ WARNING

Risk of electric shock

- Turn power off before servicing
- see instructions

GENERAL

This luminaire is designed for outdoor lighting applications, and should not be used in areas of limited ventilation, or in high ambient temperature enclosures; it should be installed and maintained according to following recommendations.

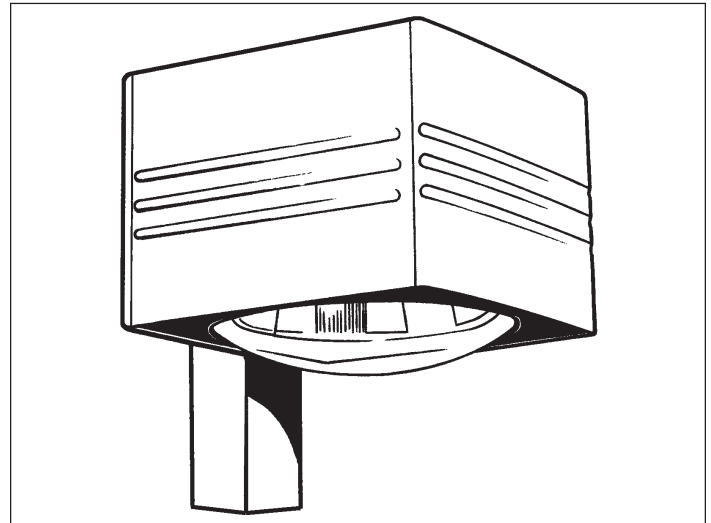
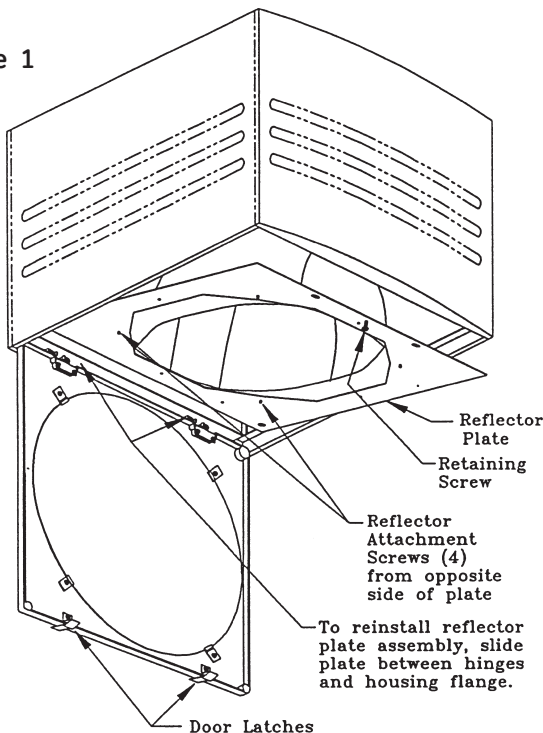
UNPACKING

This luminaire has been properly packed so that no parts should have been damaged during transit. Inspect to confirm.

INSTALLATION

To install, it is necessary to open the luminaire. A flat blade screw driver, socket wrenches for 1/4, 5/16, 3/8, and 9/16 hex-head bolts are required.

Figure 1



Make reflector aiming and wiring adjustments prior to mounting the luminaire on the pole. Power leads should be pulled as mounting parts are assembled.

REFLECTOR AIMING ADJUSTMENT

Reflectors can be rotated to any of four beam aiming positions by removing the screws holding the reflector to the reflector plate, rotating the reflector into the desired position, and replacing the screws. Take care in replacing the reflector plate so that the lamp socket leads are not pinched between the plate and the housing. (See Figure 1)

WIRING AND WIRING ADJUSTMENTS

Make all electrical connections in accordance with the National Electrical Code and any applicable local code requirements.

Verify that supply voltage is correct by comparing it to nameplate.

If unit is designated as multivolt or multiwatt, follow specific instruction.

Do not remove insulated connectors from wires not needed for required voltage connection.

Terminal Board will accept power leads from AWG No. 14 through No. 6 wire size.

IF SINGLE VOLTAGE:

All single voltage ballasts are pre-wired such that user need only connect the supply conductors.

IF MULTIVOLT: (120/208/240/277 volts)

Connect the ballast lead with the insulated terminal to the desired voltage terminal as indicated on the ballast terminal nameplate.

IF MULTIWATT:

Multiwatt ballasts are available in various combinations of wattage. See wiring instructions on wiring tag inside the luminaire.

Predrill pole as directed in Figure 2. Install the two (2) studs into the nut plate (or nuts in the round pole adapter) until the threads are fully engaged.

CAUTION: Ensure that nuts fully engage the two studs. Correct tightening of stud nuts is important to ensure proper function of mounting system. Torque to 18-22 foot pounds.

LAMP INSTALLATION

CAUTION

Risk of burn

- Allow lamp/fixture to cool before handling

Use only lamps specified on nameplate. Observe lamp manufacturer's recommendations and restrictions on lamp operation, particularly ballast type, burning position, etc.

Observe lamp manufacturer's handling instructions. Lamps should be installed to NEMA-EEI specified tightness of 35-inch lbs torque.

PHOTOELECTRIC CONTROL

If present, the receptacle should be oriented to true North before the control is installed. Loosen the two (2) screws holding the receptacle, rotate it until the arrow points North, and retighten the two (2) screws.

MAINTENANCE AND CLEANING

The exterior of the door glass should be cleaned when dirty with a warm solution of mild non-abrasive detergent and water. Rinse with water and wipe dry. If required the inside of the optical assembly may be cleaned in a similar manner.

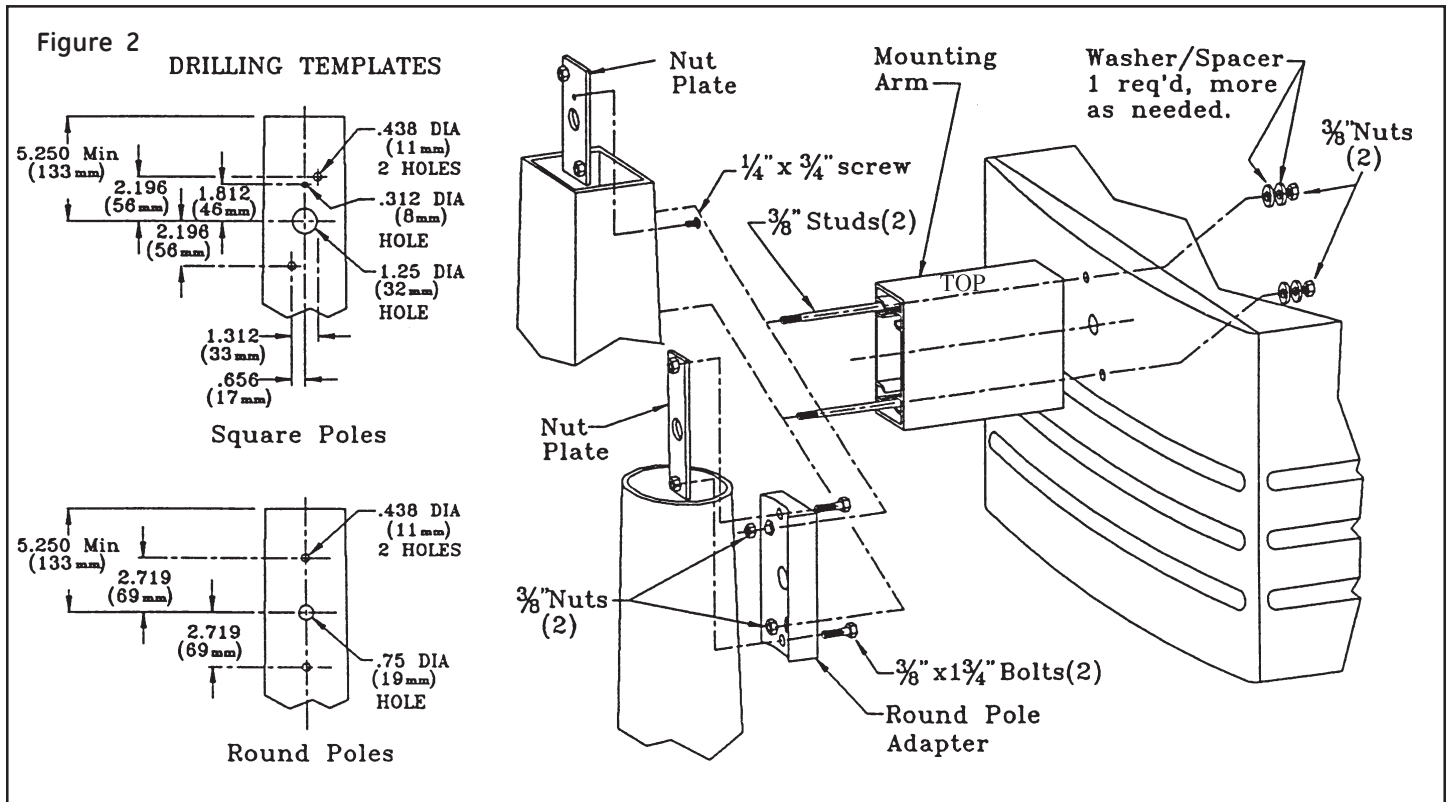
Aging lamps should be replaced based upon the Lamp Manufacturer's recommendations and the lighting requirements for the installation.

MOUNTING

CAUTION

Unit will fall if not installed properly

- Follow installation instructions



GE Lighting Solutions • 1-888-MY-GE-LED • www.gelightingsolutions.com
1-888-69-43-533

GE Lighting Solutions is a subsidiary of the General Electric Company. Evolve and other trademarks belong to GE Lighting Solutions. The GE brand and logo are trademarks of the General Electric Company. © 2011 GE Lighting Solutions. Information provided is subject to change without notice. All values are design or typical values when measured under laboratory conditions.