



Optical/Lamp Holder for Remote Ballast

READ THOROUGHLY BEFORE INSTALLING

WARNING

Risk of electric shock

- Turn power off before servicing
- see instructions

GENERAL

This lamp holder is designed for indoor and outdoor lighting applications. It is for use with either a General Purpose or Heavy Duty Powr•Spot® floodlight optical which is shipped in a separate carton. Check to see that you have received the correct material.

UNPACKING

This lamp holder has been properly packed so that no parts should have been damaged during transit. Inspect to confirm.

INSTALLATION

CAUTION

Unit will fall if not installed properly

- Follow installation instructions

NOTE: Optical assembly is keyed for proper orientation.

1. Align keyhole slots in optical with mounting screws in lamp holder.
2. Rotate optical clockwise (approximately 5°).
3. Tighten mounting screws.

A trunnion bracket is provided for installation on flat surfaces with a 3/4-inch bolt. Special mounting adaptors are available for other applications. The degree scale permits setting the lamp holder to predetermined vertical angle.

NOTE: Install unit so that the wiring compartment is located on underside of unit. (Figure 1)

Tighten Trunnion side bolts to 80 - 90 foot pounds.

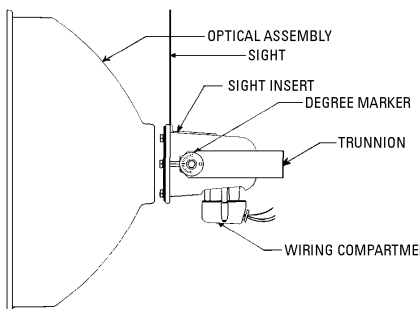


FIGURE 1

WIRING

Make all electrical connections in accordance with the National Electrical Code and any applicable local code requirements.

NOTE: Cable strain relief and sealing are provided by the compression plate and rubber bushing supplied for 9/16-inch O.D. cable. Three-conductor, AWG No. 14 cable is recommended.

1. Open wiring compartment cover.
2. Insert cable through compression plate and rubber bushing and secure by tightening screws.
3. Make electrical connections and replace wiring compartment cover.

AIMING

NOTE: TWO (2) REFLECTOR DIAMETERS ARE ACCOMMODATED. THE HIGH U-SHAPED CUTOUT OF THE SIGHT BAR IS USED WITH 22" DIAMETER REFLECTORS. THE LOW POSITION IS USED WITH 20" DIAMETER REFLECTORS.

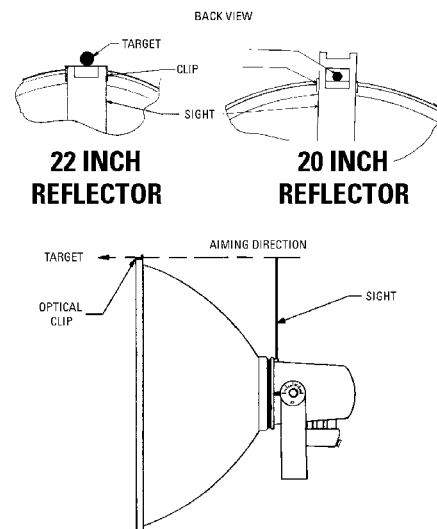
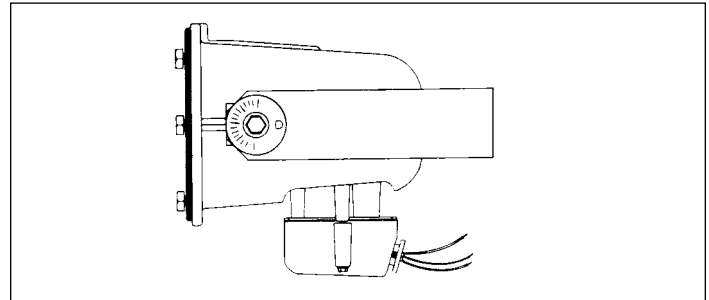


FIGURE 2

1. Insert aiming sight into spot on top of lamp holder.
2. Loosen trunnion clamping bolts and align U-shaped cutout in sight bar with center of top door glass clip.
3. Tighten trunnion clamping bolts to 80 - 90 foot pounds and remove sight.

MAINTENANCE

CAUTION

Risk of burn

- Allow lamp/fixture to cool before handling

Periodic cleaning on the outside of the door glass will ensure operation at maximum optical efficiency.

The glass and reflector (if needed) should be cleaned with non-abrasive soap, cleaner, or detergent solutions; rinsed with cold water and wiped dry.

The light output is also dependent on the age of the lamp. In applications where the light level is critical it may be desirable to replace lamps before they burn out. The lamp manufacturer can provide data showing how the lamp light output decreases with use.

Relamping:

Use only lamps specified on nameplate. Observe lamp manufacturer's recommendations and restrictions on lamp operation, particularly ballast type, burning position, etc.

Lamp Tightness – Mogul Base Lamp: The lamp should be securely inserted to the NEMA-EEL specified torque of 35 inch-pounds, which is best achieved by very firmly tightening to insure application of sufficient torque. Tightening must be sufficient to fully depress and load the center contact of the socket.

1. Open glass door. (Unlatch top clip last.)
2. Relamp and close glass door. (Latch top clip first, checking gasket for proper seating, then latch other clips.)



GE Lighting Solutions • 1-888-MY-GE-LED • www.gelightingsolutions.com
1-888-69-43-533

GE Lighting Solutions, LLC is a subsidiary of the General Electric Company. Evolve and the GE brand and logo are trademarks of the General Electric Company.
© 2011 GE Lighting Solutions, LLC. Information provided is subject to change without notice. All values are design or typical values when measured under laboratory conditions.

35-201578-C9 (Rev. 04/13/11)