

Installation Instructions

GTx™ LED Arrow Signals

12 inch ("Omnidirectional" Arrow)



BEFORE YOU BEGIN

Read these instructions completely and carefully.

Prepare Electrical Wiring



Electrical Requirements

- Do not use in wet locations
- Follow all National Electric Codes (NEC) and local codes.

⚠ WARNING / AVERTISSEMENT

Risk of Electric Shock. Disconnect Before Servicing or installing product. The LED module must be installed into a signal head with adequate ingress protection for the location (protection from the weather).

Risque de choc électrique. Couper l'alimentation avant le dépannage ou avant l'installation du produit.

Le module DEL doit être installé dans une tête de signal avec une protection adéquate d'entrée pour l'emplacement (protection contre les intempéries).

Installation Steps:

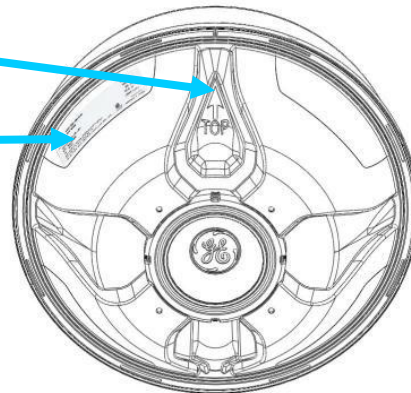
1. **Verify input voltage** is within specified range on the back of the LED signal module before installation. Failure to do so will cause lamp to fail.
Open front cover of (customer supplied) traffic signal housing.
2. Remove outer lens and incandescent bulb from traffic signal housing OR existing LED signal module. Retain all hardware as removed as it may be needed in subsequent steps.
NOTE: *Installer is responsible for ensuring the disposal of removed components complies with all applicable regulatory requirements.*
3. Ensure that a gasket is present around the perimeter of the new LED signal module.
4. Insert the LED signal module into the available cavity from previous LED module or incandescent bulb.
NOTE: *Ensure that the arrow "↑" on the back cover of the LED signal module is oriented in the desired position.*
5. Install mounting hardware to ensure that the LED signal module is securely fastened to traffic signal housing.
6. Connect the white wire to the neutral terminal block and the colored wire to the positive, supply voltage terminal block.
NOTE: *Ensure that the correct wire is securely connected to correct terminal block for proper operation.*
7. After installation of all modules is complete, ensure all traffic signal housings are closed and secured properly.
8. Apply power and ensure proper operation of traffic signal modules per intersection requirements as specified by customer.

Arrow (↑)
"Suitable for mounting in any orientation"

Voltage rating

⚠ CAUTION

Risk of Electric Shock
Install unit in enclosure tested to be suitable for wet locations only.



This product is intended solely for the use of traffic signaling and is not intended for use in any other applications.

NOTE: If you prefer to have this Installation Instructions document in **other languages**, visit our official website at:

www.currentbyge.com/transportation

This device complies with part 15 of the FCC Rules. Operation is subject to the following two conditions: (1) This device may not cause harmful interference, and (2) this device must accept any interference received, including interference that may cause undesired operation. CAN ICES-005(A)/NMB-005(A)

NOTE: This equipment has been tested and found to comply with the limits for a Class A digital device, pursuant to part 15 of the FCC Rules. These limits are designed to provide reasonable protection against harmful interference when the equipment is operated in a commercial environment. This equipment generates, uses, and can radiate radio frequency energy and, if not installed and used in accordance with the instruction manual, may cause harmful interference to radio communications. Operation of this equipment in a residential area is likely to cause harmful interference in which case the user will be required to correct the interference at his own expense.

Current, powered by GE is a business of the General Electric Company. The GE and Current, powered by GE brands and logos are trademarks of the General Electric Company.
© 2016 General Electric Company. Information provided is subject to change without notice. All values are design or typical values when measured under laboratory conditions.

99003901 TRAF324-R200917 (DD/MM/YY)