

GTX™ Flex LED Heated Shell Signal Modules

12 inch

GE's 14th generation of LED signal,
building on 15 years of experience
& over 6,000,000 units sold worldwide



Outstanding Performance

- Intelligent lamp measures ambient conditions and will automatically adjust to help prevent ice formation on lamp.
- Over-molded electrical connectors prevent water wicking through wires.

Maximum Flexibility

- New micro-controlled power supply is packed with advanced functionality that can be unlocked and customized to fit your specific needs.
- Low profile module permits efficient installation into existing traffic housings.
- Power consumption levels allow compatibility with most controllers.
- Offers multiple dimming configurations for ultimate customization.*
- Mask compatible to fit your unique signaling needs.**

*Customer controller and load switch compatibility testing may be required.
Please contact you GE representative for details.

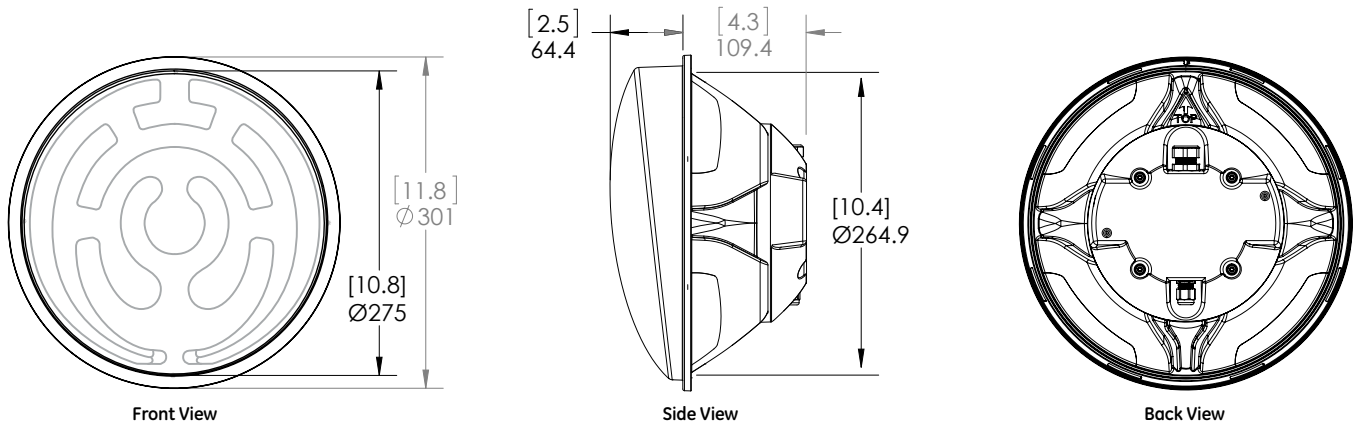
**Sold separately. Refer to masks datasheet TRAF208.



GTX™ Flex LED Heated Shell Signal Modules

12 inch

Mechanical Outline Dimensions in mm [inches]



Design Compliance

Test type	Compliance
Luminous Intensity	ITE VTCSH-LED Circular Signal Supplement -June 2005
Chromaticity	ITE VTCSH-LED Circular -June 2005
Moisture Resistance	Blown Wind Rain MIL-STD-810F method 506.4
Mechanical Vibration	MIL-STD-883 Method 2007
Electronic Noise	FCC Title 47 Sub. B Sec 15 ¹
Transient Voltage Protection	Sec. 2.1.6 NEMA TS2-2003, 300V, 2500W Sec. 2.1.6 NEMA TS2-2003, 600V, 10µF Sec. 2.1.8 NEMA TS2-2003, 1kV, 2Ω
Controller Compatibility	ITE VTCSH-LED Circular Signal Supplement -June 2005
Wiring	NFPA 70, National Electric Code
Transient Suppression	Sec. 8.2 IEC 61000-4-5 & Sec. 6.1.2 ANSI/IEEE C62.41.2 - 2002, 3KV, 2 Ω Sec. 8.0 IEC 61000-4-12 & Sec. 6.1.1 ANSI/IEEE C62.41.2 - 2002, 6KV, 30 Ω

Operating Specifications

Parameter	Rating
Operating Temperature Range*	-40 to +74°C (-40 to +165°F)
Operating Voltage Range	80 to 135 V (60Hz AC)
Power Factor (PF)	> 90%
Total Harmonic Distortion (THD)	< 20%
Minimum Voltage Turn-Off (VTO)	35 V
Turn-On / Turn-Off Time	< 50 ms
Lens & Shell Material	UV Stabilized Polycarbonate
Wiring	40 in, 18 AWG, Color Coded with Strain Relief
Dimming Option ²	As per Section 5.8 of ITE VTCSH - LED Circular Signal Supplement -June 2005
Heated Shell System is Powered Separately at a Nominal Input Voltage of:	120V - 60Hz
Nominal Power of Heated Shell System:	30W

* Operating Temperature Range per ITE 2005, Section 3.3.2

Product Information

Model Number	Front Shell	Size (in)	Nominal AC Voltage	Nominal Power ³ Lamp (W)	Nominal Power Heated Shell System (W)	Nominal Wavelength (nm)	Minimum Maintained Intensity (Cd)
DR6-RTFB-77A-039	Tinted	12	120V - 60Hz	8.0	30	625	365
DR6-YTFB-77A-039	Tinted	12	120V - 60Hz	10.5	30	589	910
DR6-GTFB-77A-039	Tinted	12	120V - 60Hz	9.1	30	502	475

¹ Class A

² Customer controller and load switch compatibility testing may be required. Please contact your GE representative for details.

³ Measured at vertical angle of -2.5° and at horizontal angle of 0°.

Distributed by:



www.currentbyge.com

All trademarks are the property of their respective owners. Information provided is subject to change without notice. All values are design or typical values when measured under laboratory conditions. Current, powered by GE is a business of the General Electric Company.
© 2016 GE.

TRAF303 (Rev 10/25/16)