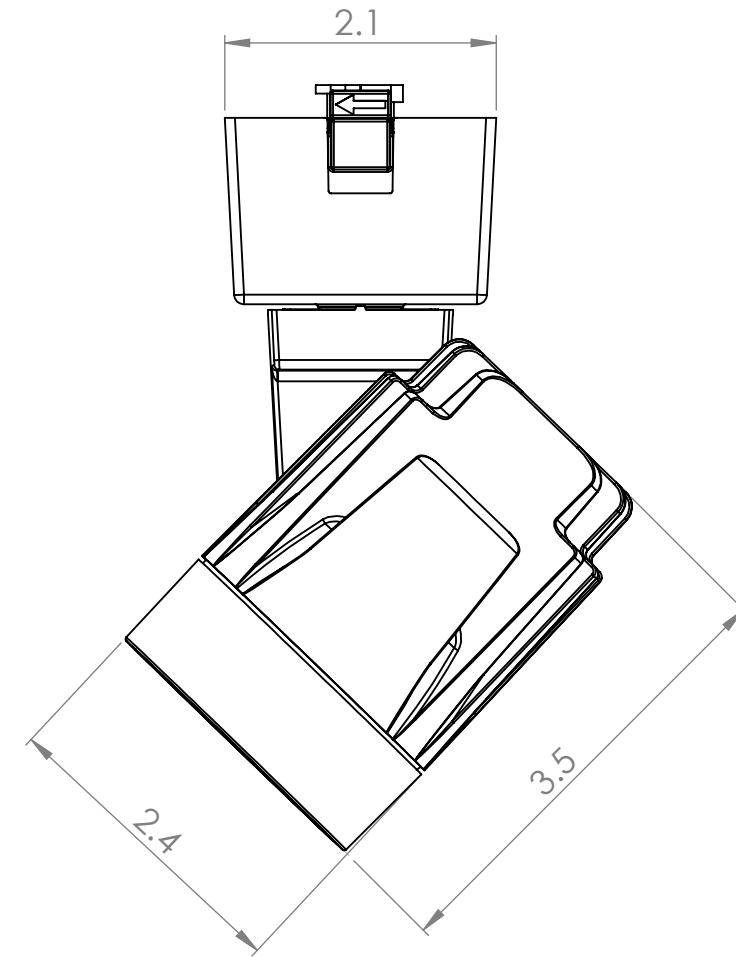
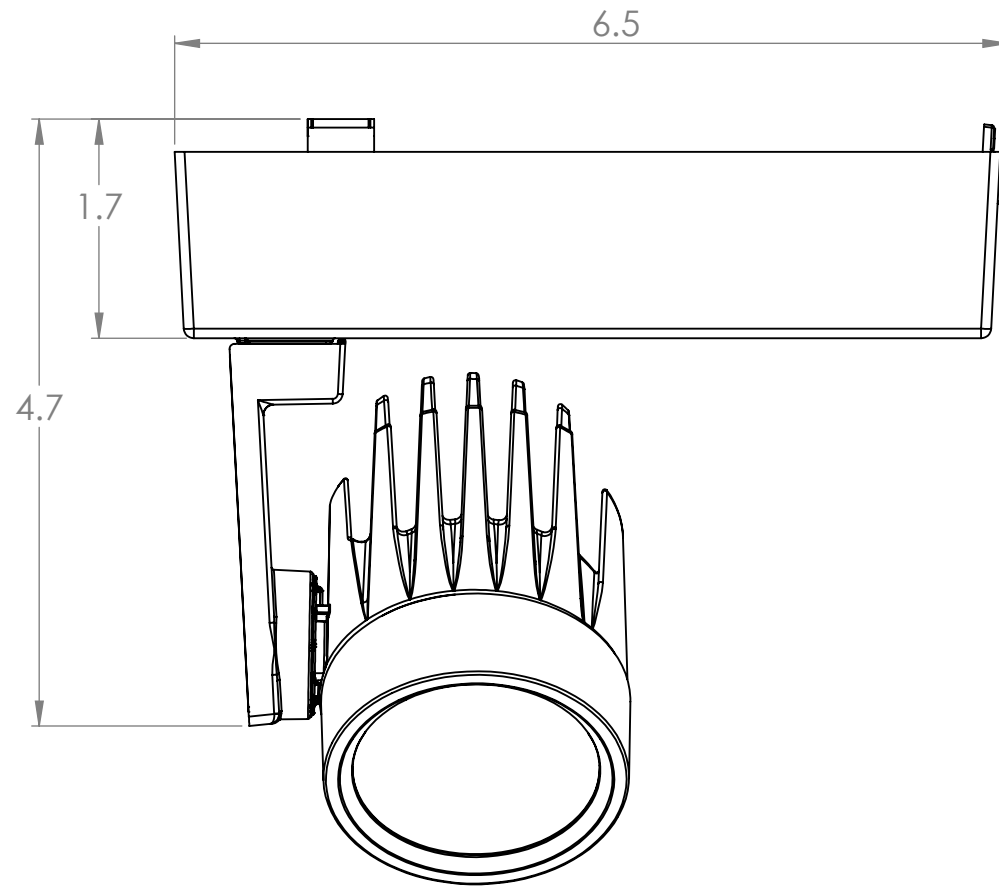


REVISIONS								
ZONE	REV.	DESCRIPTION	DATE	DESIGN	CHECK	ENG	MFG	QA
	A	INITIAL RELEASE	1/27/2016	M.KHAN				



**UNLESS OTHERWISE SPECIFIED**  
 DIMENSIONS ARE IN INCH  
 TOLERANCES ON:  
 X. DECIMALS 0.5  
 .X DECIMALS 0.25  
 .XX DECIMALS 0.15  
 ANGLES 2  
 INSPECTION DIM  
 PPA DIM

**DO NOT SCALE DRAWING**  
 INTERPRET DRAWING PER ASME 14.5M 1994  
**PROPRIETARY AND CONFIDENTIAL**  
 THE INFORMATION CONTAINED IN THIS DRAWING IS THE SOLE PROPERTY OF GE LIGHTING SOLUTIONS, LLC. ANY REPRODUCTION IN PART OR AS A WHOLE WITHOUT THE WRITTEN PERMISSION OF GE LIGHTING SOLUTIONS, LLC IS PROHIBITED.

**Lighting Solutions**  
 1940 ONÉSIME GAGNON  
 LACHINE, QUÉBEC,  
 CANADA, H8T 3M6  
 WWW.LED.COM

DRAWN BY: **M.KHAN**  
 DATE: **27/01/2016**

THIS DOCUMENT IS ELECTRONICALLY SIGNED AND CONTROLLED IN A DATA MANAGEMENT SYSTEM

DRAWING DESCRIPTION  
 LUMINATION™ HORIZONTAL PSU - GLOBAL MARKETING DRAWING

DRAWING NUMBER  
**Horizontal Enclosure Assembly**

LIFE CYCLE STATUS  
**DESIGN**

SCALE: **1:2**  
 SIZE: **B**

UNITS OF MEASURE  
**mm**

REVISION  
**A**

SHEET  
**1 / 1**