

1

2

3

4

5

E

E

D

D

C

C

B

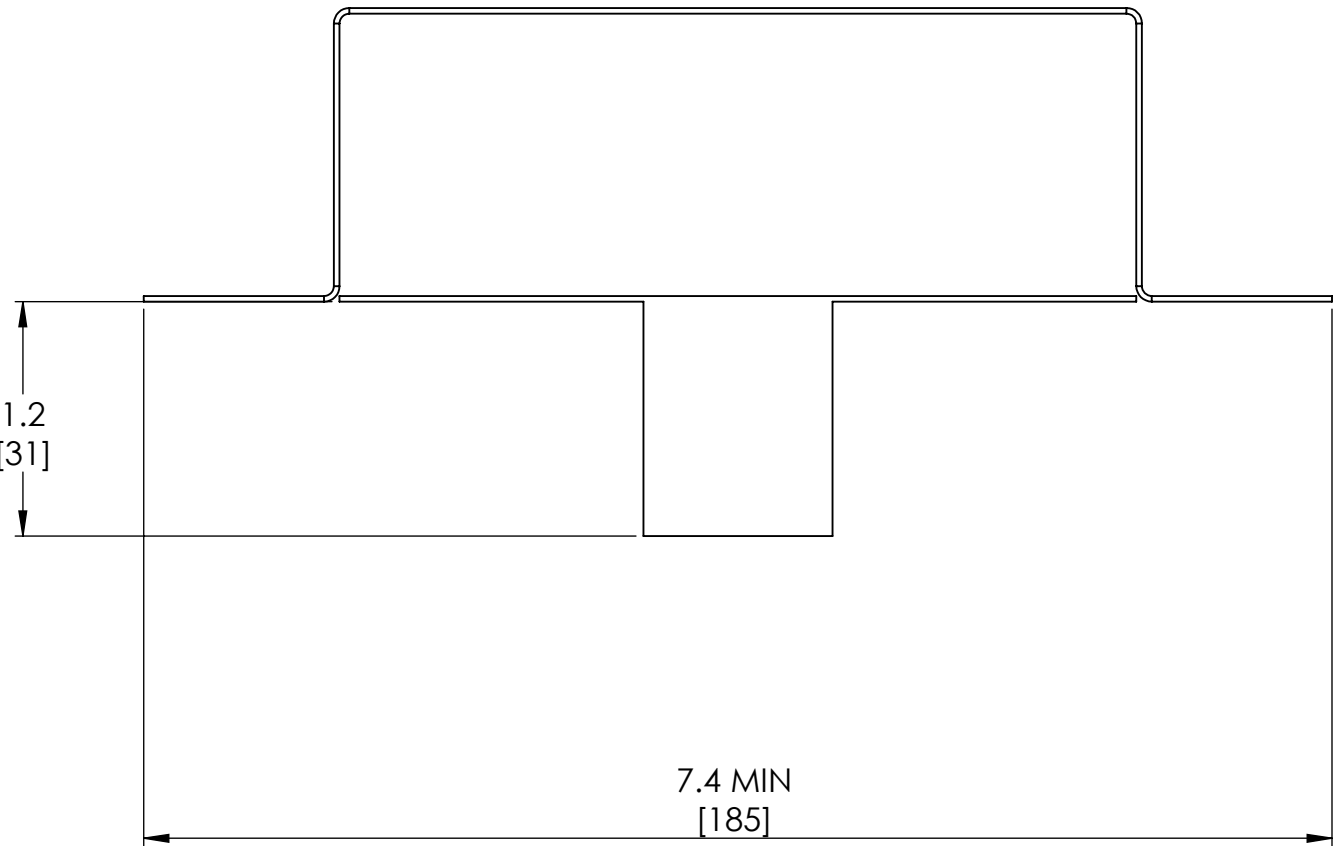
B

A

A

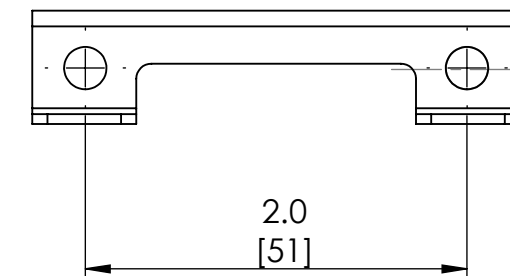
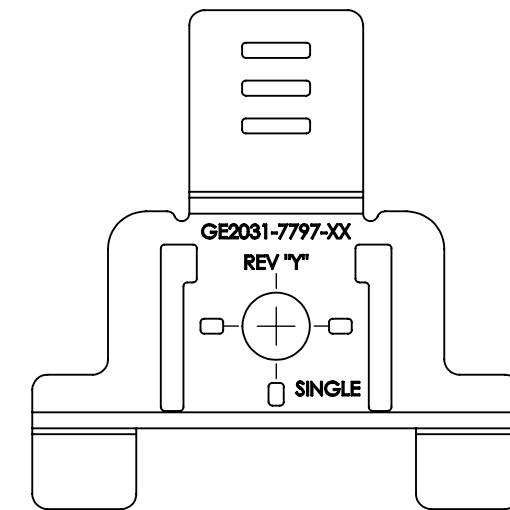
HEIGHT OF LAMP HOLDERS FROM BASE OF FIXTURE

1.2
[31]



WIDTH OF FIXTURE AT BASE
[OPTION: MINIMUM DIMENSION FOR END CAPS]

7.4 MIN
[185]



CENTER TO CENTER DISTANCE BETWEEN LAMP SCREWS

2.0
[51]



PROPRIETARY AND CONFIDENTIAL
 THE INFORMATION CONTAINED IN THIS DRAWING IS THE SOLE PROPERTY OF
 GE LIGHTING SOLUTIONS, LLC
 1940 ONÉSIME GAGNON LACHINE, QUÉBEC, CANADA H8T 3M6
 ANY REPRODUCTION IN PART OR AS A WHOLE WITHOUT THE WRITTEN PERMISSION
 OF GE LIGHTING SOLUTIONS, LLC IS PROHIBITED.

THIS DOCUMENT IS ELECTRONICALLY SIGNED
 AND CONTROLLED IN A DATA MANAGEMENT SYSTEM.

DO NOT SCALE DRAWING
 INTERPRET DRAWING PER ASME 14.5M 1994

UNLESS OTHERWISE SPECIFIED:
UNITS ARE IN mm

.X DECIMALS	±.5
.XX DECIMALS	±.25
.XXX DECIMALS	±.15
ANGLES	±2°
INSPECTION DIM	◻
PPAP DIM	◆

DRAWING DESCRIPTION
LUR SINGLE BRACKET DIMENSIONS - SIN1

DRAWING NUMBER	REVISION	LIFE CYCLE STATUS	SCALE 1:20
DRAWN BY	DRAWN DATE	APPROVED BY	APPROVED DATE
SHEET			SIZE B
SHEET			1/1

1

2

3

4

5