

LineFit Light-LED (LFL-LED) Socket Accessory

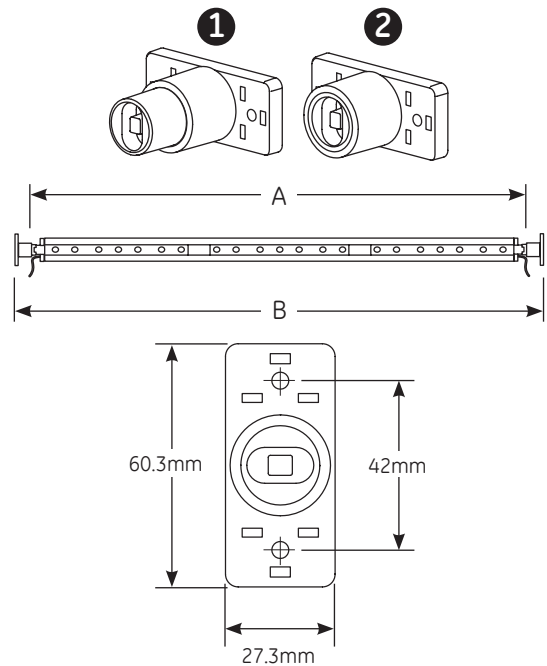
93020091 LFL-LED Sockets

This device complies with part 15 of the FCC Rules. Operation is subject to the following two conditions: (1) This device may not cause harmful interference, and (2) this device must accept any interference received, including interference that may cause undesired operation.

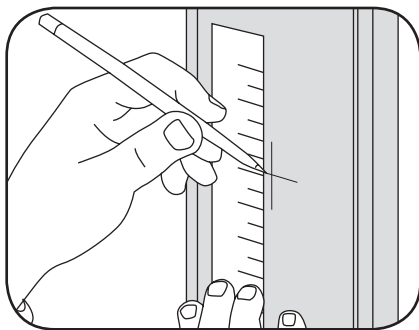
Note: This equipment has been tested and found to comply with the limits for a Class A digital device, pursuant to part 15 of the FCC Rules. These limits are designed to provide reasonable protection against harmful interference when the equipment is operated in a commercial environment. This equipment generates, uses, and can radiate radio frequency energy and, if not installed and used in accordance with the instruction manual, may cause harmful interference to radio communications. Operation of this equipment in a residential area is likely to cause harmful interference in which case the user will be required to correct the interference at his own expense.

This Class [A] RFLD complies with the Canadian standard ICES-005. Ce DEFR de la classe [A] est conforme à la NMB-005 du Canada.

LFL Nominal Length (A)			LFL with Sockets Length (B)	
(feet)	(inches)	(mm)	(inches)	(mm)
1.5	18	402.5	18.13	460.8
2	24	554.1	24.11	612.4
2.5	30	707.1	30.13	765.4
3	36	858.9	36.11	917.2
3.5	42	1011.8	42.13	1070.1
4	48	1163.7	48.11	1222.0
5	60	1468.5	60.11	1526.8
5.3	64	1570.5	64.12	1628.8
6	72	1773.3	72.11	1831.6
7	84	2078.1	84.11	2136.4
8	96	2382.9	96.11	2441.2
9	108	2671.7	107.48	2730.0
9.5	117	2900.3	116.48	2958.6
10	120	2975.5	119.44	3033.8

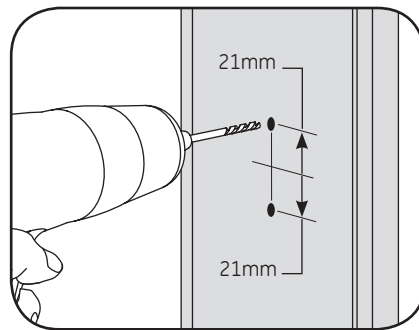


Socket Installation

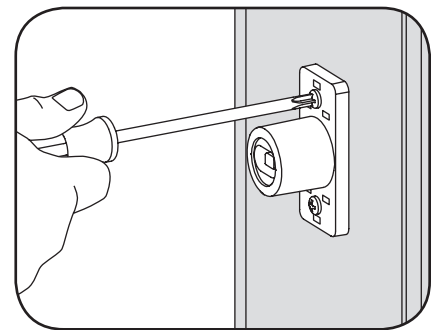


- 1 Determine the distance between centers of LFL-LED modules and mark those positions in both ends of the sign.

NOTE: If installing LFL vertically, install the socket (#1 pictured above) at the top side.



- 2 For each socket position, drill two 1/8" diameter holes 21mm above and 21mm below the center marks.



- 3 Attach sockets with two #8 X1/2" self tapping screws (M4 x 12mm self tapping screws).

Conforms to the following standards:



⚠ WARNING

RISK OF FIRE OR ELECTRIC SHOCK: Sign wiring and electrical parts may be damaged when drilling for installation of LED retrofit kit. Check for enclosed wiring and components.

current
powered by GE

All trademarks are the property of their respective owners. Information provided is subject to change without notice. All values are design or typical values when measured under laboratory conditions. Current, powered by GE is a business of the General Electric Company.
© 2018 GE.

