

LineFit Light-LED (LFL-LED) LFL Light Bar Coupler Accessory

32619 LFL-LED Coupler2 Line Fit Light Coupler-2nd Gen

Tools Required:

- Philips #2 screw driver
- Wire cutter
- Wire stripper

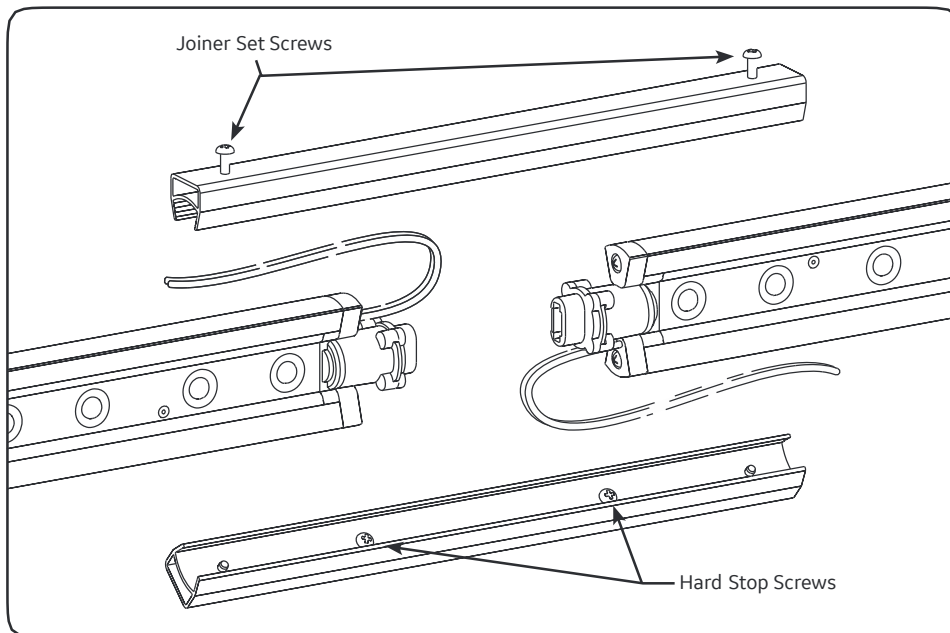
Components Required:

- LFL-LED Coupler2 (2)
- GE LFL-LED light bar (2)
- Wire nuts or other UL approved wiring connectors (2)

This device complies with part 15 of the FCC Rules. Operation is subject to the following two conditions: (1) This device may not cause harmful interference, and (2) this device must accept any interference received, including interference that may cause undesired operation.

Note: This equipment has been tested and found to comply with the limits for a Class A digital device, pursuant to part 15 of the FCC Rules. These limits are designed to provide reasonable protection against harmful interference when the equipment is operated in a commercial environment. This equipment generates, uses, and can radiate radio frequency energy and, if not installed and used in accordance with the instruction manual, may cause harmful interference to radio communications. Operation of this equipment in a residential area is likely to cause harmful interference in which case the user will be required to correct the interference at his own expense.

This Class [A] RFLD complies with the Canadian standard ICES-005. Ce DEFR de la classe [A] est conforme à la NMB-005 du Canada.



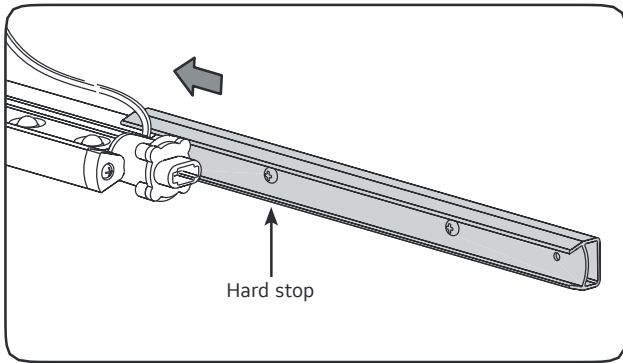
Note: For best results combine LFL-LED light bars of similar size to achieve the desired installed length. For example, combine a 5ft. with a 5ft. or a 6ft. with a 4ft. to achieve 10ft. length. Combining unbalanced lengths such as 8ft. with a 2ft. is less effective.

Caution: When joining LFL-LED light bars, do not exceed 10 feet in overall length.

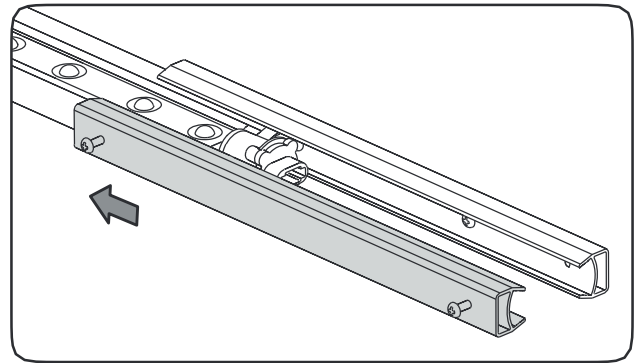


imagination at work

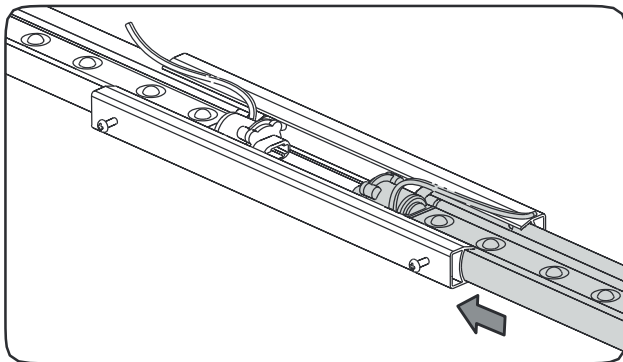
Coupler Assembly and Wiring



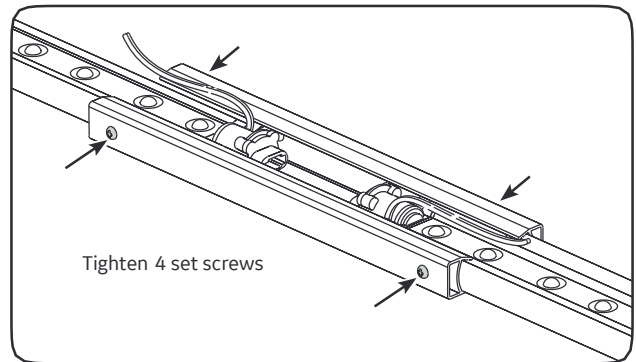
- 1** Match up key-slot feature on one coupler with the LFL structural rail. Slide coupler onto LFL until it hits the hard stop. Ensure power wire is folded back and away from coupler.



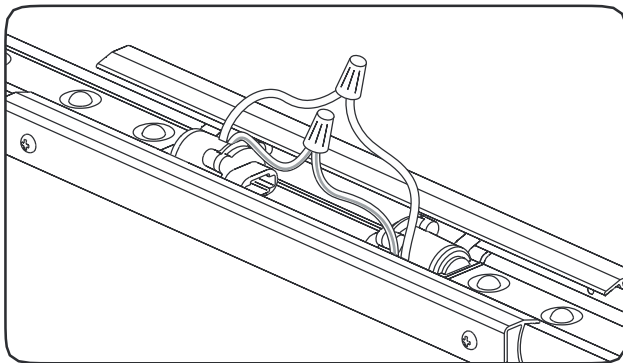
- 2** Repeat Step 1 and slide the second coupler into place.
Note: Do not tighten set screws at this time.



- 3** Slide the second LFL-LED light bar into the other end of couplers. Ensure both sides are fully inserted up to the hard stop feature.

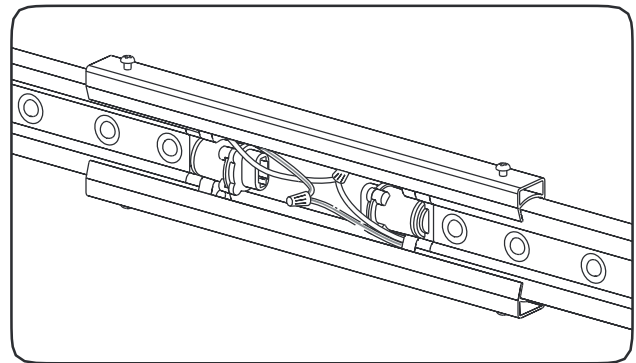


- 4** Using a screwdriver tighten all four set screws to secure the assembly. **Tighten screws until resistance is felt, then tighten additional 1/2 turn.**
Caution: Do not over tighten screws or threads may be damaged.



- 5** Connect the wires between the two LFL-LED light bars. Connect the red stripe wire to corresponding red stripe wire. Connect White wire to white wire. Use wire nuts or other approved wire connectors.

Note: For best results, ensure the finished wire length and connectors are folded into the space between the couplers and LFL-LED light bar ends. This will prevent undesirable light blockage or shadows.



- 6** Your finished length LFL-LED assembly is now complete. Continue your sign installation and wiring using the LFL-LED installation guide.