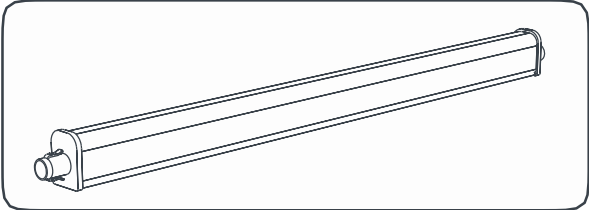


Arize™ Lynk & Life

LED Lighting System



BEFORE YOU BEGIN

Read these instructions completely and carefully.

⚠ WARNING / AVERTISSEMENT

RISK OF ELECTRIC SHOCK

- Turn power off before inspection, installation or removal.
- The electrical supply for each luminaire must always be connected to the male connector.
- Not to be submerged or used in a marine environment.
- Suitable for operation in ambient temperature between 0°C and 40°C

RISK OF FIRE

- Follow all NEC and local codes.

RISQUES DE DÉCHARGES ÉLECTRIQUES

- Coupez l'alimentation avant l'inspection, l'installation ou le déplacement.
- L'alimentation électrique pour chacun des luminaires doit toujours être branché du côté mâle de la prise.
- Ne pas submerger ou installer dans un environnement marin.
- Doit être opéré à une température ambiante entre 0°C et 40°C

RISQUES D'INCENDIE

- Respectez tous les codes NEC et codes locaux.

⚠ RISK GROUP 1 - CAUTION / ATTENTION - RAYONNEMENT LUMINEUX GROUPE 1

Possibly hazardous optical radiation emitted from this product. Do not stare at operating lamp. May be harmful to the eyes.

Le rayonnement lumineux émis par ce produit est potentiellement dangereux. Ne pas regarder la lumière émise directement car elle pourrait occasionner des dommages aux yeux.

Save These Instructions

The light source of this luminaire is not replaceable; when the light source reaches its end of life the whole luminaire shall be replaced.

If the external flexible cable or cord of this luminaire is damaged, it shall be replaced by a special cord or cord exclusively available from the manufacturer, his service agent or a qualified specialist.

Prepare Electrical Wiring



Electrical Requirements

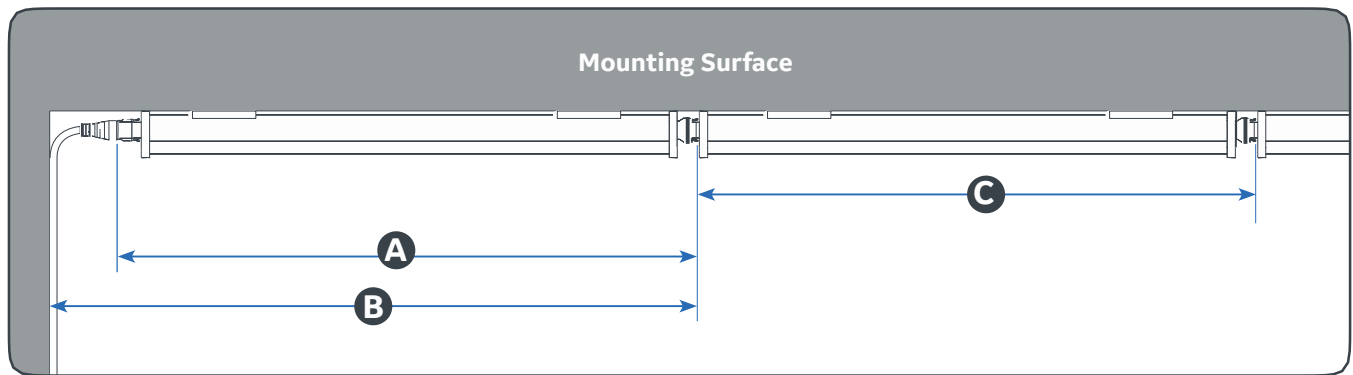
- Suitable for dry, damp and wet locations.
- Follow all National Electric Codes (NEC) and local codes.

This device complies with Part 15 of the FCC Rules. Operation is subject to the following two conditions: (1) This device may not cause harmful interference, and (2) this device must accept any interference received, including interference that may cause undesired operation. CAN ICES-005 (A) / NMB-005 (A)

Note: This equipment has been tested and found to comply with the limits for a Class A digital device, pursuant to part 15 of the FCC Rules. These limits are designed to provide reasonable protection against harmful interference when the equipment is operated in a commercial environment. This equipment generates, uses, and can radiate radio frequency energy and, if not installed and used in accordance with the instruction manual, may cause harmful interference to radio communications. Operation of this equipment in a residential area is likely to cause harmful interference in which case the user will be required to correct the interference at his own expense.



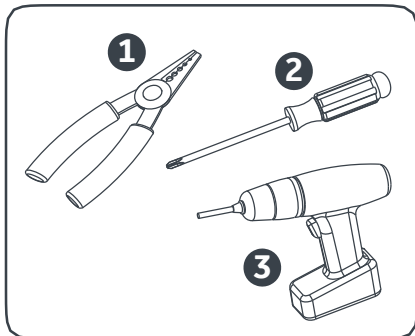
Product Length



	A Length of lamp with connectors	B Length including leader cable	C Length of additional lamp in series
--	--	---	---

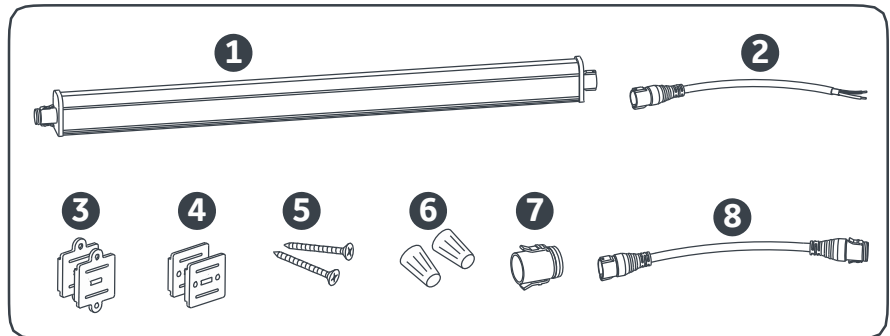
2 ft.	24.7" 62.7 cm	27.7" 70.4 cm	23.9" 60.6 cm
4 ft.	47" 119.4 cm	50" 127.1 cm	46.2" 117.3 cm
8 ft.	91" 231.5 cm	94.2" 239.2 cm	90.3" 229.4 cm

Tools Required



- 1** Wire stripper/cutter
- 2** Screwdriver
- 3** Cordless drill with driver bit

Components Required



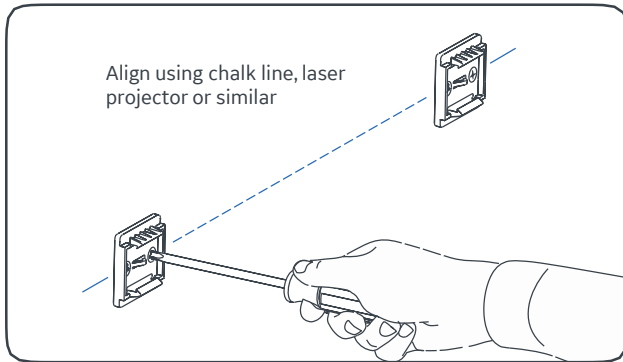
- 1** Current LED Batten fixtures
- 2** Leader cable (96440)
- 3** Standard mounting clips (88818)
- 4** Slim mounting clips (10734)
- 5** #10 (M5) self-tapping flathead screws
- 6** UL approved 18-14 AWG (0.82-2.08 mm²) wire connectors or in-line splice connectors
- 7** End cap for connectors
- 8** Jumper cable (96441: 24 in./610 mm long)

METHOD 1

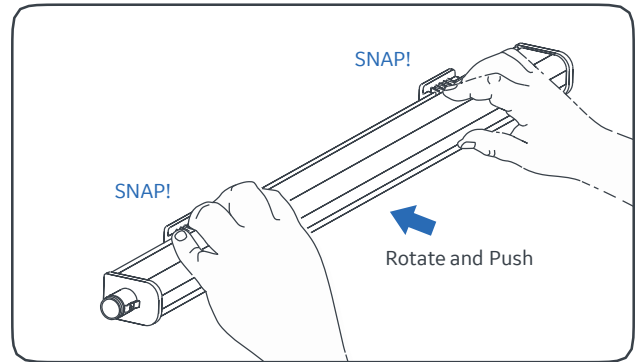
Installation Steps: Single Luminaire Installations

Planning first:

Luminaires must only be mounted using Current's standard and slim mounting clips (see Components Required on page 2)



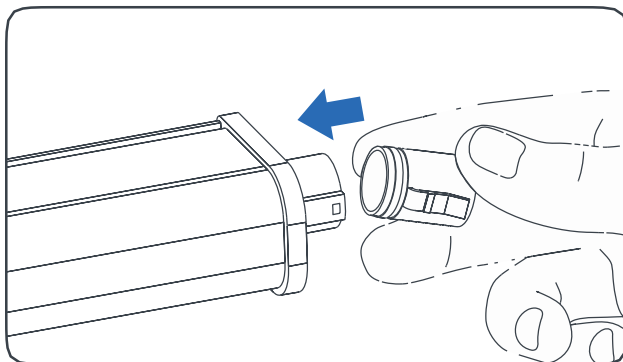
- 1 Secure each luminaire mounting clip to a rigid flat mounting surface using two #10 (MS) self-tapping flathead screws along the intended run of luminaire. **To avoid stress and damage to luminaire the entire mounting surface should be flat and the mounting clips be properly aligned.** Refer to table on page 7 for required number of mounting clips per luminaire.



- 2 Press the first luminaire into its mounting clips so that the male connector is oriented towards the intended electrical supply. **TIP:** Align luminaire on one side of the mounting clips; then rotate the luminaire until it snaps into other side of the mounting clips.

(Only for single luminaire installation)

Alternately: The required mounting clips may first be pressed onto the luminaire, then the luminaire mounting clip assembly may be mounted on to the mounting surface using two #10 (MS) self-tapping flathead screws per mounting clip.



- 3 Ensure there is an end cap to the female connector.

Go to METHOD 4 - Connections to the Electrical Supply

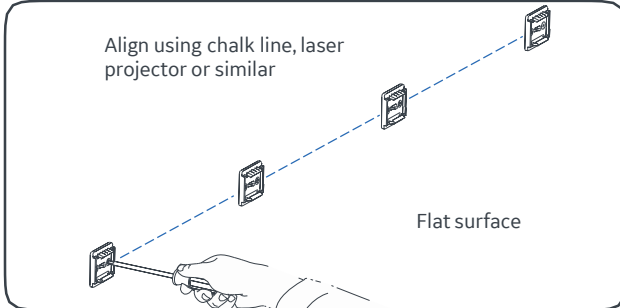
METHOD 2

Installation Steps: Luminaire Installations to be Interconnected with Jumper Cable

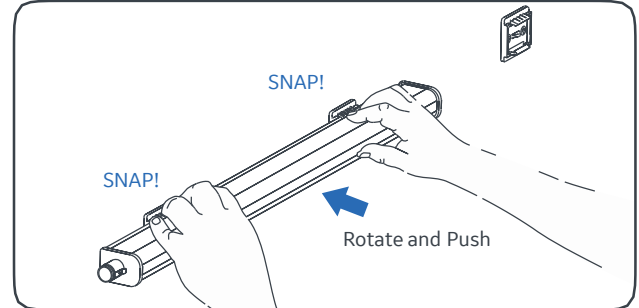
Planning first:

See Multiple Bar Installation details to not exceed the maximum run length per Leader Cable

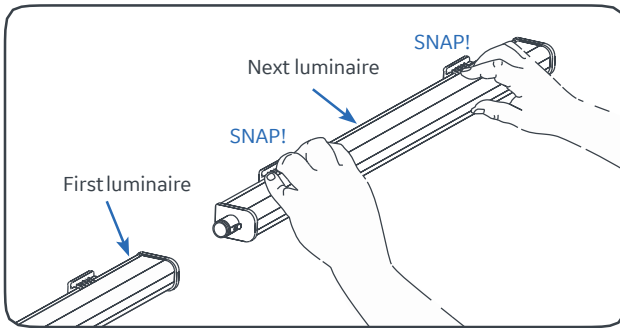
Luminaires must only be mounted using Current's standard and slim mounting clips (see Components Required on page 2)



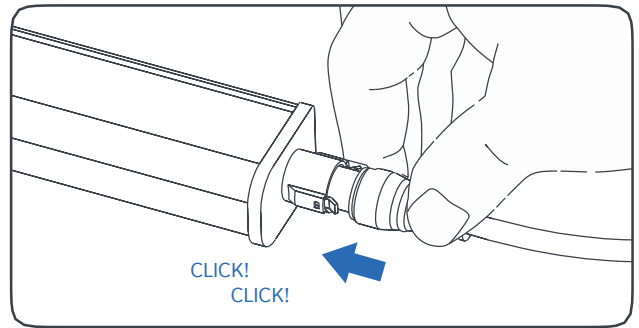
- 1 Secure each luminaire mounting clip to a rigid flat mounting surface using two #10 (MS) self-tapping flathead screws along the intended run of luminaire. **To avoid stress and damage to luminaire the entire mounting surface should be flat and the mounting clips be properly aligned.** Refer to table on page 7 for required number of mounting clips per luminaire.



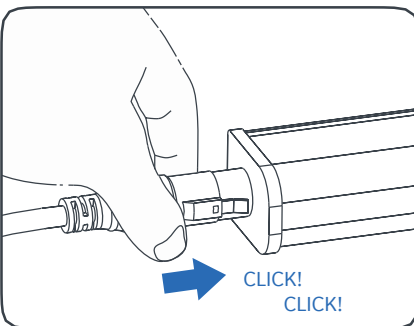
- 2 Press the first luminaire into its mounting clips so that the male connector is oriented towards the intended electrical supply. **TIP:** Align luminaire on one side of the mounting clips; then rotate the luminaire until it snaps into other side of the mounting clips.



- 3 Press the next luminaire in the run into its mounting clips using the same procedure as Step 2.

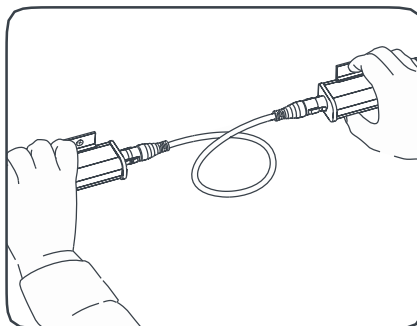


- 4 Remove end cap to the female connector where jumper cable will be installed. Insert the male connector of the batten jumper cable so that it fully engages the female connector of the **first luminaire** as indicated by hearing 2 clicks.

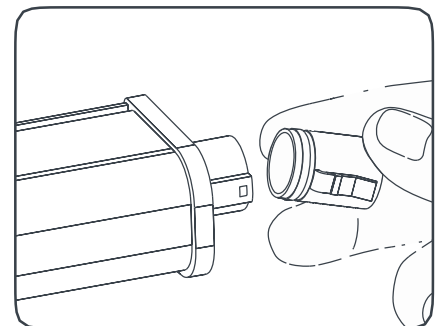


- 5 Insert the female connector of the batten jumper cable so that it fully engages the male connector of the luminaire currently being installed as indicated by hearing 2 clicks.

To avoid damage, do not bend or otherwise exert excessive force on the Batten connector during installation



- 6 Step 3, 4 and 5 may be repeated for each additional luminaire in the run.



- 7 Ensure that there is an end cap on the female connector on the last luminaire in the run.

Go to METHOD 4 - Connections to the Electrical Supply

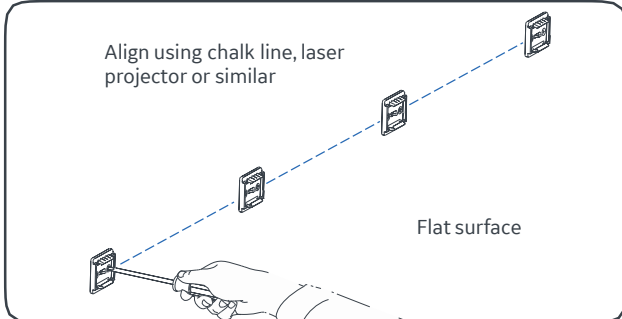
METHOD 3

Installation Steps: Directly Interconnected Luminaires

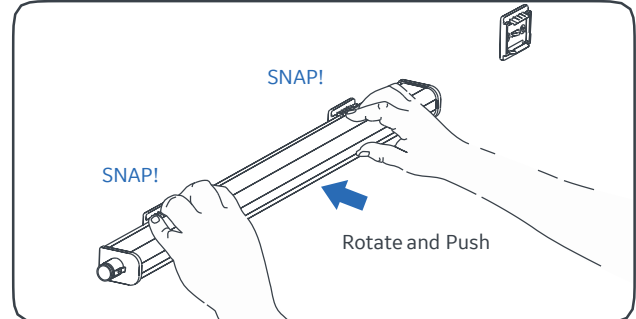
Planning first:

See Multiple Bar Installation details to not exceed the maximum run length per Leader Cable

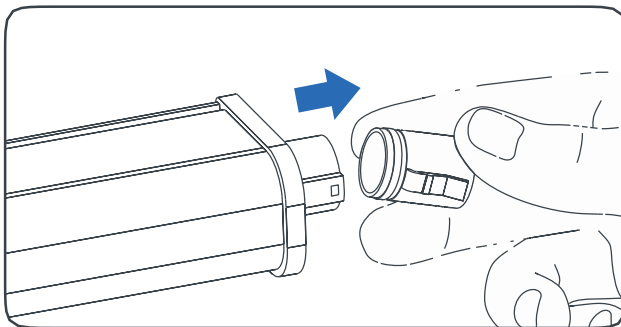
Luminaires must only be mounted using Current's standard and slim mounting clips (see Components Required on page 2)



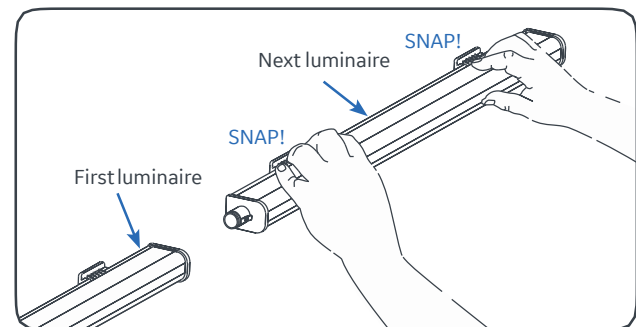
- 1 Secure each luminaire mounting clip to a rigid flat mounting surface using two #10 (MS) self-tapping flathead screws along the intended run of luminaire. **To avoid stress and damage to luminaire the entire mounting surface should be flat and the mounting clips be properly aligned.** Refer to table on page 7 for required number of mounting clips per luminaire.



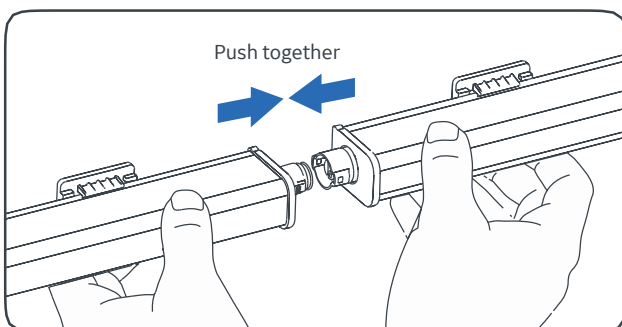
- 2 Press the first luminaire into its mounting clips so that the male connector is oriented towards the intended electrical supply. **TIP:** Align luminaire on one side of the mounting clips; then rotate the luminaire until it snaps into other side of the mounting clips.



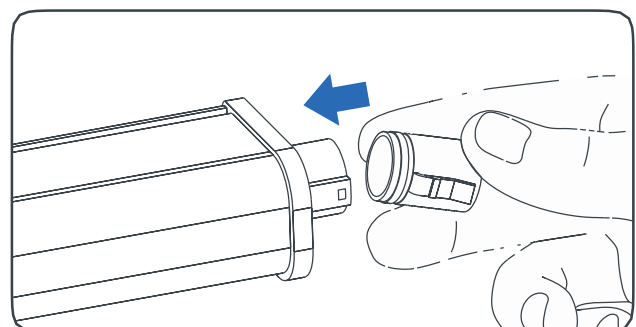
- 3 Remove the end cap from the female connector on the opposite side of the luminaire.



- 4 Press the next luminaire in the run into its mounting clips using the same procedure as Step 2.



- 5 Slide the luminaire into the previous one in the run until the male connector of the luminaire fully engages the female connector of the previous one as indicated by hearing 2 distinct clicks. **To avoid damage, do not bend or otherwise exert excessive force on the Batten connector during installation**
Steps 3, 4 and 5 may be repeated for each additional luminaires in the run.

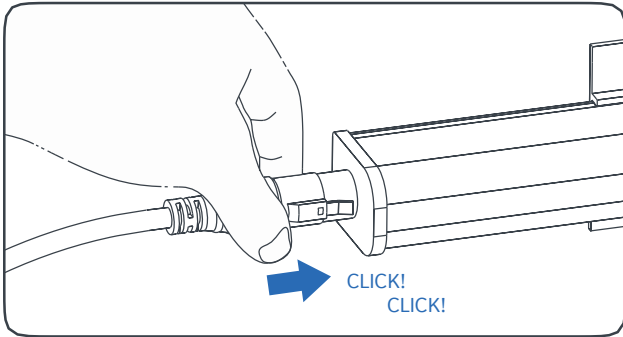


- 6 Ensure that there is an end cap on the female connector on the last luminaire in the run.

Goto METHOD 4 - Connections to the Electrical Supply

METHOD 4

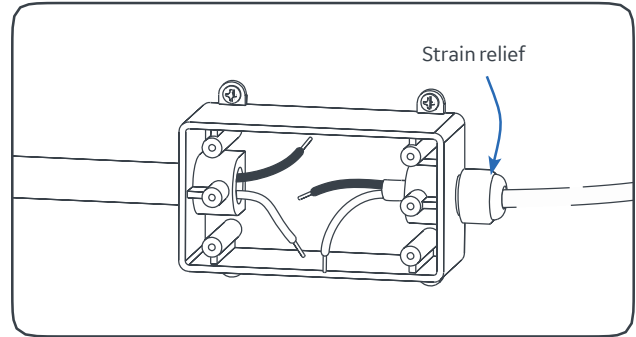
Connections to Electrical Supply



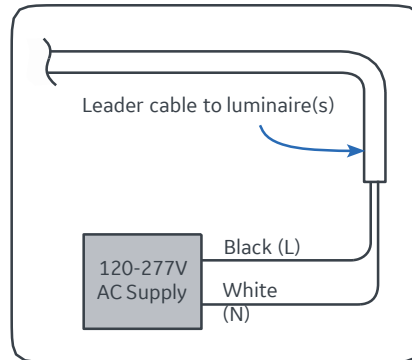
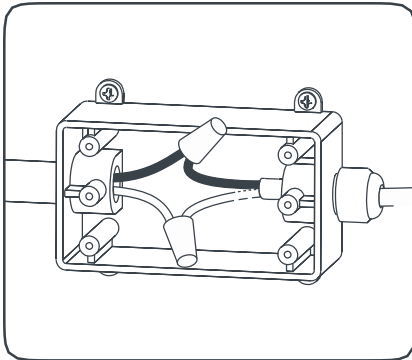
- 1 Insert the female connector of the batten leader cable so that it fully engages the male connector of the first luminaire in the run as indicated by hearing 2 clicks.

See Multiple Bar Installation detail to not exceed maximum run length for one leader.

To avoid damage, do not bend or otherwise exert excessive force on the Batten connector during installation



- 2 Insert the supply end of the leader cable through a suitable strain relief into a proper junction box for the location so that the leader cable outer jacket has passed through the strain relief. Tighten the strain relief onto the leader cable jacket.



- 3 Inside the junction box, connect the line and neutral wires of the AC supply source to the line (black) and neutral (white) wires of the leader cable using suitable wire nuts. Install the junction box cover when complete.

! IMPORTANT GUIDELINES / CONSEILS IMPORTANTS

- Cables shall not be concealed or extended through a wall, floor, ceiling, or other parts of the building structure; located above a suspended ceiling or dropped ceiling; permanently affixed to the building structure.
- Cables shall be routed so that they are not subject to strain and are protected from physical damage; visible over their entire length; and used within their rated ampacity as determined for the maximum temperature of the installed environment specified in the instructions.
- Les câbles ne doivent pas être cachés à l'intérieur ou passer à travers un mur, un plancher, un plafond ou d'autres parties de la structure du bâtiment; ne doivent pas être placés au-dessus d'un plafond suspendu; ne doivent pas faire partie intégrante de la structure du bâtiment.
- Les câbles doivent être installés de façon à être protégés contre l'étirement et tout autre dommage; être visibles sur toute leur longueur; utilisés dans la limite de leur capacité électrique, déterminée pour les limites de température de l'environnement spécifiée dans ce document.

Multiple Bar Installation Detail

Input voltage : 100VAC - 277 VAC, 50/60Hz

MO/ HO	Lamp Length	Product Code (SKU)	Description Code	Maximum Bars Per Leader Cable			Qty of Mounting Clips	Electrical Loading Detail Typical Current (A)			
				For 120VAC	For 208VAC	For 240VAC		For 120VAC	For 208VAC	For 240VAC	
MO	2 ft.	93031537	GEHL24MPKB1	15	26	30	2	0.08	0.05	0.04	
	4 ft.	208378	GEHL48MPKR1	9	15	18	2	0.15	0.1	0.08	
		208377	GEHL48MPPR1								
		93031538	GEHL48MPPV1								
		93055788	GEHL48MPKB1								
		93055789	GEHL48MPPB1								
	8 ft.	208380	GEHL96MPPR1	5	7	10	3	0.30	0.20	0.15	
		93031539	GEHL96MPPV1								
	HO	2 ft.	93041871	GEHL24HPPB1	9	15	18	2	0.15	0.1	0.08
		4 ft.	93031540	GEHL48HPKB1	5	7	10	2	0.30	0.20	0.15
213286			GEHL48HPPB1								
93031581			GEHL48HWTB1								
93031582			GEHL48HPKR1								
213287			GEHL48HPPR1								
93031583			GEHL48HWTR1								
8 ft.		213285	GEHL48HPPV1	2	3	4	3	0.60	0.40	0.30	
		213289	GEHL96HPPB1								
		213290	GEHL96HPPR1								
		213288	GEHL96HPPV1								
	93055790	GEHL96HPKB1									
93055791	GEHL96HPKR1										

Note: Other SKUs available. For custom installation please contact us.

Product codes

GEHLwwxyyzl

*Key for ww: 24=24 in., 48=48 in., 96=96 in.

*Key for x: M=Medium Output, H=High Output

*Key for yy: PP=Purple, PK=Pink, WT=White

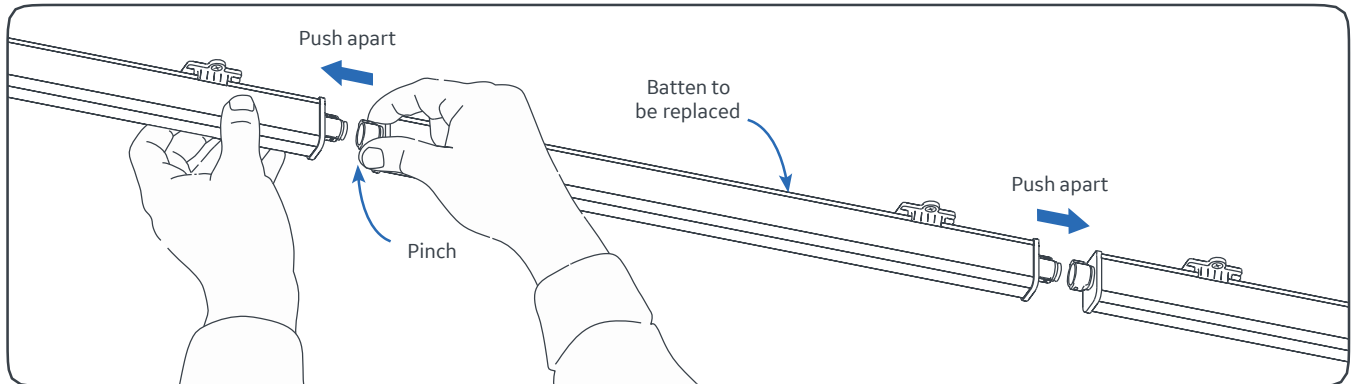
*Key for z: V=Vegetative, B=Balanced, R=Reproductive

Troubleshooting

Symptom	Solution
All LED fixtures are not illuminated	<ul style="list-style-type: none"> • Check leader cable connection and/or check circuit breaker. • Check plug connectors on the LED fixtures for improper connections or short circuits. • Ensure leader cable is securely connected to the female plug connector on the first LED fixture.
Some LED fixtures are not illuminated	<ul style="list-style-type: none"> • Check plug connectors on the LED fixtures for improper connections or short circuits. • Ensure any jumper cables are securely connected between the male/female plug connectors of the LED fixtures.

METHOD 5

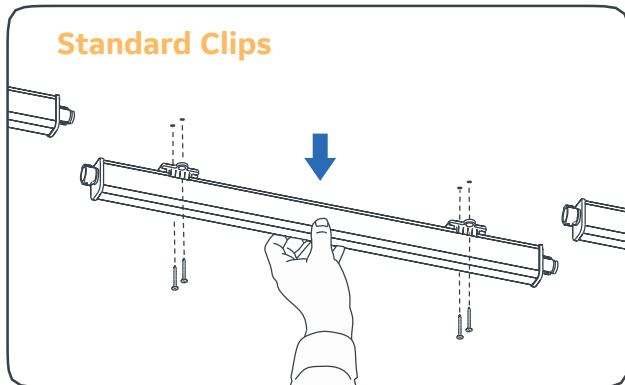
Replacement Instructions for directly Interconnected Luminaires



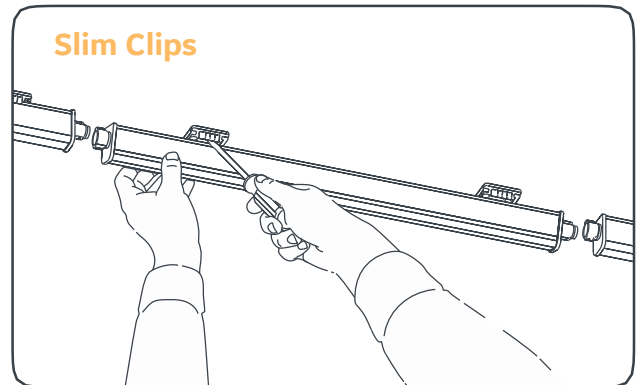
- 1** Unclip plugs on both sides of the batten to be replaced. Push apart battens on either side.

TIP: Pinch the ends of the plug while pulling the receptacle end away.

To avoid damage, do not bend or otherwise exert excessive force on the Batten connector during removal



- 2A** Unscrew the mounting clips to completely remove the batten.



- 2B** Using a screwdriver, gently pry the batten out of the mounting clips.

- 3** To insert new batten, see Method 3

To avoid damage, do not bend or otherwise exert excessive force on the Batten connector during installation



Electrical products must not be thrown out with domestic waste. They must be taken to a communal collecting point for environmentally friendly disposal in accordance with local regulations. Contact your local authorities or stockist for advice on recycling. The packaging material is recyclable. Dispose of the packaging in an environmentally friendly manner and make it available for the recyclable material collection-service.

Conforms to the following standards:
IP66 rated



CLASS II LUMINAIRE



Visit [LED.com/horticulture](https://www.led.com/horticulture)

For the latest install guides for your product go to:

<https://products.currentbyge.com/horticulture/arize-lynk>

current
powered by GE

All trademarks are the property of their respective owners. Information provided is subject to change without notice. All values are design or typical values when measured under laboratory conditions. Current, powered by GE is a business of the General Electric Company.

© 2018 GE.

www.currentbyge.com

SIGN167 (Rev 2018-11-14) GE2030-3347

