

Batten LED Luminaire

LED Lighting System

GEWI10XXYYBAT

*Key for XX: 24 = 24 in, 48 = 48 in, 96 = 96 in

*Key for YY: 30 = 3000K, 40 = 4000K, 50 = 5000K, 71 = 7100K



BEFORE YOU BEGIN

Read these instructions completely and carefully.

WARNING/AVERTISSEMENT

RISK OF ELECTRIC SHOCK

- Turn power off before inspection, installation or removal.
- The electrical supply for each luminaire must always be connected to the male connector.

RISK OF FIRE

- Follow all NEC and local codes.

RISQUES DE DÉCHARGES ÉLECTRIQUES

- Coupez l'alimentation avant l'inspection, l'installation ou le déplacement.
- L'alimentation électrique pour chacun des luminaires doit toujours être branché du côté mâle de la prise.

RISQUES D'INCENDIE

- Respectez tous les codes NEC et codes locaux.

Save These Instructions

This product is intended solely for the use of non-residential architecture lighting and is not intended for use in any other application.

Prepare Electrical Wiring



Electrical Requirements

- Suitable for damp locations.
- Follow all National Electric Codes (NEC) and local codes.

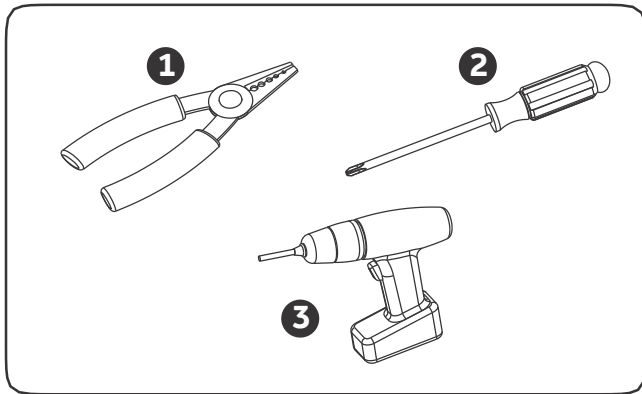
This device complies with Part 15 of the FCC Rules. Operation is subject to the following two conditions: (1) This device may not cause harmful interference, and (2) this device must accept any interference received, including interference that may cause undesired operation. CAN ICES-005 (A)/NMB-005(A)

Note: This equipment has been tested and found to comply with the limits for a Class A digital device, pursuant to part 15 of the FCC Rules. These limits are designed to provide reasonable protection against harmful interference when the equipment is operated in a commercial environment. This equipment generates, uses, and can radiate radio frequency energy and, if not installed and used in accordance with the instruction manual, may cause harmful interference to radio communications. Operation of this equipment in a residential area is likely to cause harmful interference in which case the user will be required to correct the interference at his own expense.



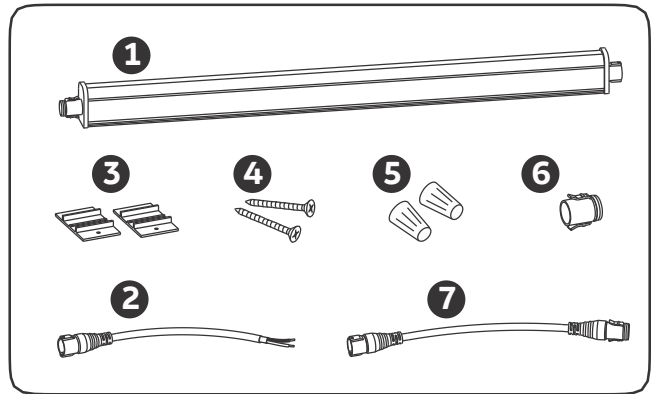
imagination at work

Tools Required



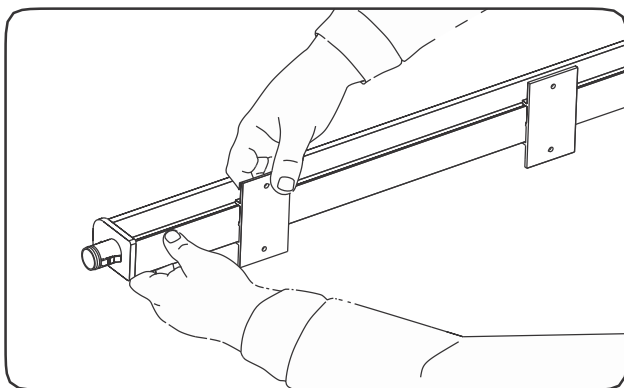
- 1 Wire stripper/cutter
- 2 Screwdriver
- 3 Cordless drill with driver bit

Components Required

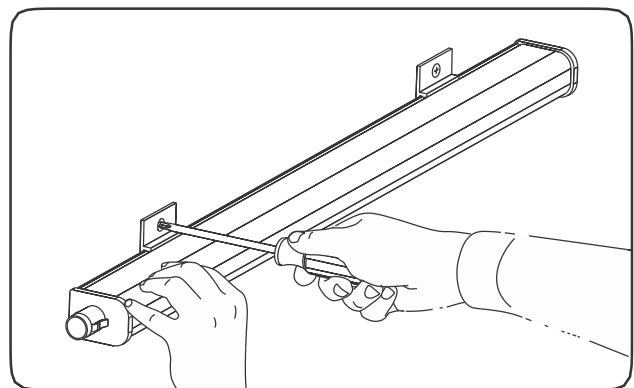


- 1 GE LED Batten fixtures
- 2 Leader cable (96440)
- 3 GE plastic mounting clips (96442)
- 4 #10 (M5) self-tapping flathead screws
- 5 UL approved 18-14 AWG (0.82-2.08 mm²) wire connectors or in-line splice connectors
- 6 End cap for connectors
- 7 **Optional:** Jumper cable (96441: 24 in./610 mm long)

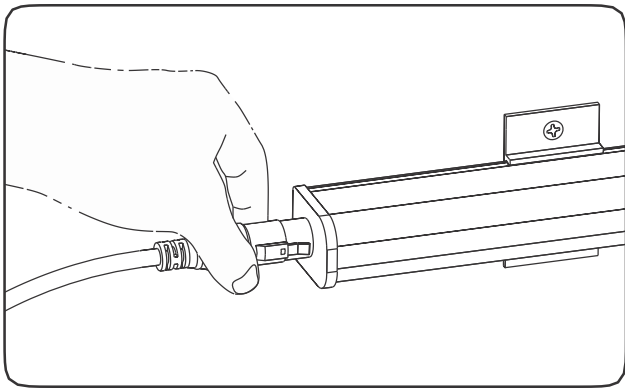
Installation



- 1 Assemble the LED fixture by pressing both mounting clips onto the LED Batten. A snapping noise should be heard. Refer to Specifications table on page 4 for required number of mounting clips.



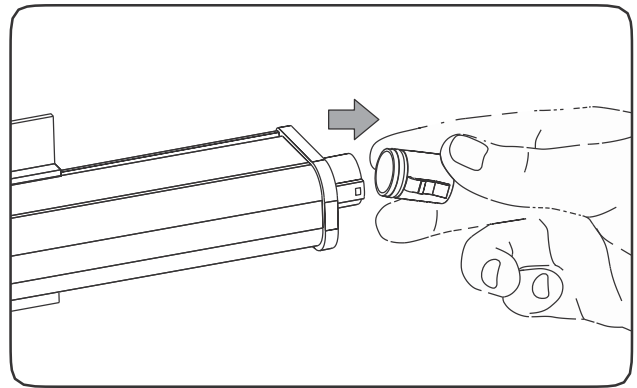
- 2 Mount the fixture to the desired ceiling/wall using two #10 (M5) self-tapping flathead screws in each mounting bracket.



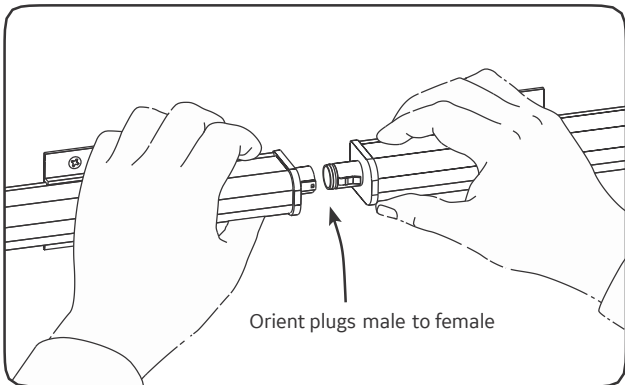
- 3** Connect the leader cable to the male plug on the first LED fixture. Two clicking noises should be heard.

⚠ WARNING

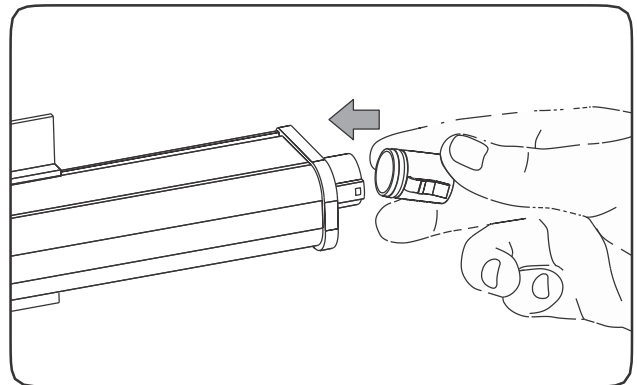
The electrical supply for each luminaire must always be connected to the male connector.



- 4** Remove endcap from other side.

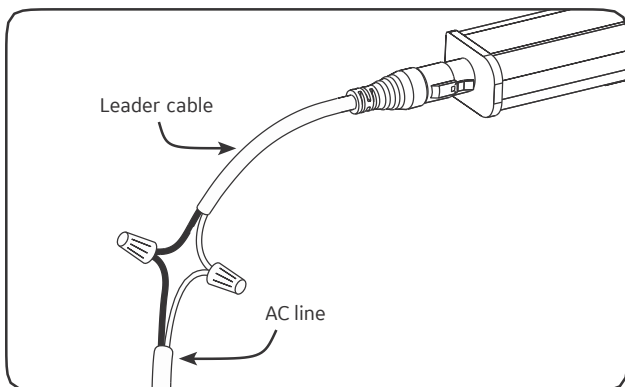


- 5** Continue placing fixtures, being sure to join plugs male to female. Attach jumper cables as needed to work around any obstacles, corners or separations.

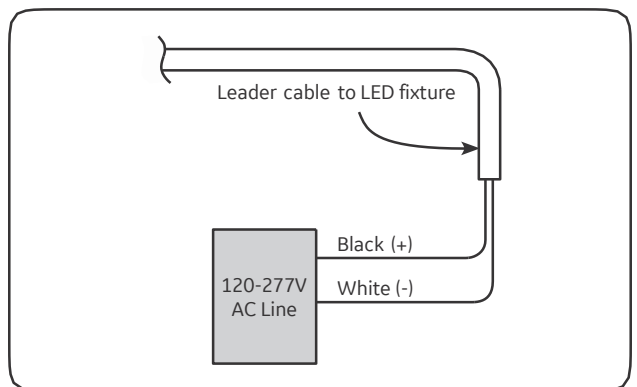


- 6** Place end cap from Step 4 on the electrical plug of the last fixture in the run.

Electrical Connections



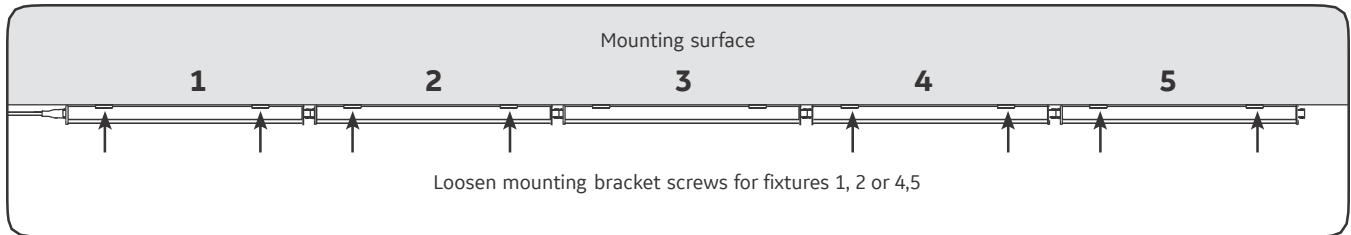
- 7** Connect the black (line) and white (neutral) wires of the AC line to the similarly colored wires of the leader cable using wire nuts.



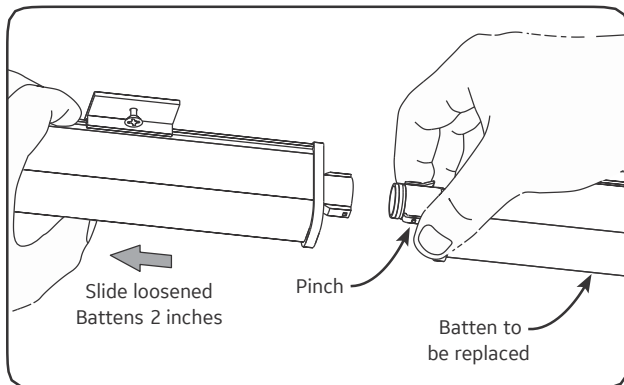
- 8** Wiring diagram.

Batten Replacement Instructions

NOTE: The following scenario is based on replacing the third fixture in a series of five.

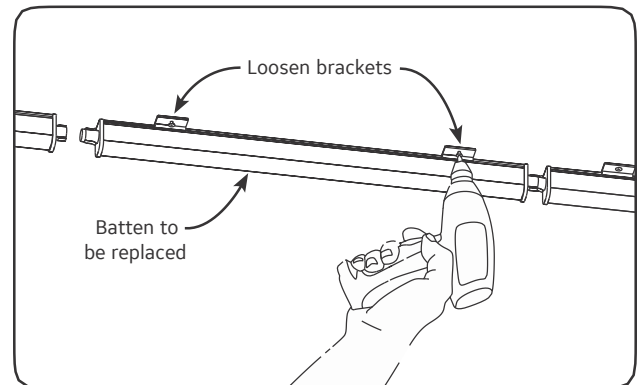


- 1 Loosen mounting bracket screws on the Batten fixtures preceding the fixture to be replaced (either fixtures 1,2 or 4,5). This will help the fixtures to slide in Step 2

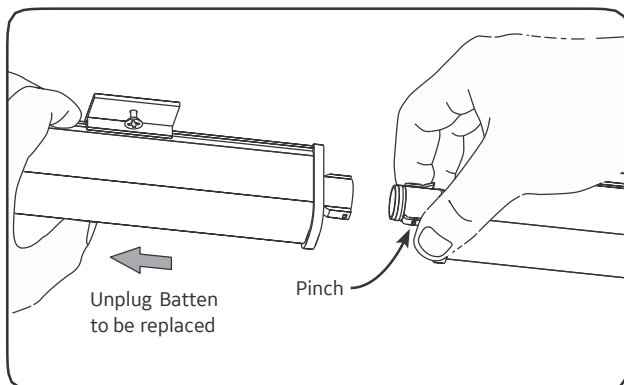


- 2 Unclip plug on the side with the loosened mounting bracket screws and slide Battens at least 2 inches to disengage.

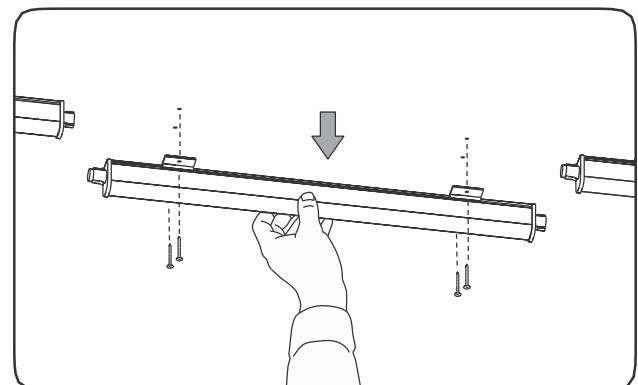
TIP: Pinch the ends of the plug while pulling the receptacle end away.



- 3 Loosen the screws on all mounting brackets on the Batten to be replaced, so that the screws are still holding the fixture, but will allow it to slide.



- 4 Unclip the plug on the other side.



- 5 Completely unscrew the previously loosened screws on all mounting brackets of Batten to be replaced and remove the Batten.

- 6 To insert new Batten, complete steps 1-5 in reverse order.

Troubleshooting

Symptom	Solution
All LED fixtures are not illuminated	<ul style="list-style-type: none"> • Check leader cable connection and/or check circuit breaker. • Check plug connectors on the LED fixtures for improper connections or short circuits. • Ensure leader cable is securely connected to the female plug connector on the first LED fixture.
Some LED fixtures are not illuminated	<ul style="list-style-type: none"> • Check plug connectors on the LED fixtures for improper connections or short circuits. • Ensure any jumper cables are securely connected between the male/female plug connectors of the LED fixtures.

Specifications

SKU	Description Code	Number of mounting clips required	Voltage	Maximum Run Length	Location Rating
64409	GEWI102430BAT	2	120 VAC-277 VAC, 50-60Hz	For both 120 VAC and 277 VAC: 20 fixtures (40 feet/ 12 meters)	
64430	GEWI102440BAT				
64431	GEWI102450BAT				
94454	GEWI102471BAT				
94455	GEWI102440BAT				
94456	GEWI102430BAT	2	120 VAC-277 VAC, 50-60Hz	For both 120 VAC and 277 VAC: 10 fixtures (40 feet/ 12 meters)	Dry or Damp Location
64432	GEWI104830BAT				
64433	GEWI104840BAT				
64434	GEWI104850BAT				
94457	GEWI104871BAT				
94458	GEWI104840BAT	3	120 VAC-277 VAC, 50-60Hz	For both 120 VAC and 277 VAC: 5 fixtures (40 feet/ 12 meters)	
94459	GEWI104830BAT				
64472	GEWI109630BAT				
64473	GEWI109640BAT				
65653	GEWI109650BAT				
94460	GEWI109671BAT	3	120 VAC-277 VAC, 50-60Hz	For both 120 VAC and 277 VAC: 5 fixtures (40 feet/ 12 meters)	
94461	GEWI109640BAT				
94462	GEWI109640BAT				

Conforms to the following standards:



www.currentbyge.com, www.gelighting.com



All trademarks are the property of their respective owners. Information provided is subject to change without notice. All values are design or typical values when measured under laboratory conditions. Current, powered by GE is a business of the General Electric Company.
© 2017

GE2025-9415
SIGN124-120817