

ACE® LED

Signal Retrofit for Transit and Wayside

GE has developed a universal white LED solution for use behind colored lenses

Retrofit Solution

- One white module is a fit for all colors; utilizes the original housing lens and color filter
- Fits in existing housing, customized brackets available
- Easy to install and align
- Reduces inventory and maintenance cost
- Mounting bracket comes with AREMA terminal block and hardware

Outstanding Reliability

- Self-contained design provides protection against moisture and dust
- Backed by a 48 month limited warranty
- GE has sold over 210,000 wayside signals worldwide
- Robust LED system design enables long product life

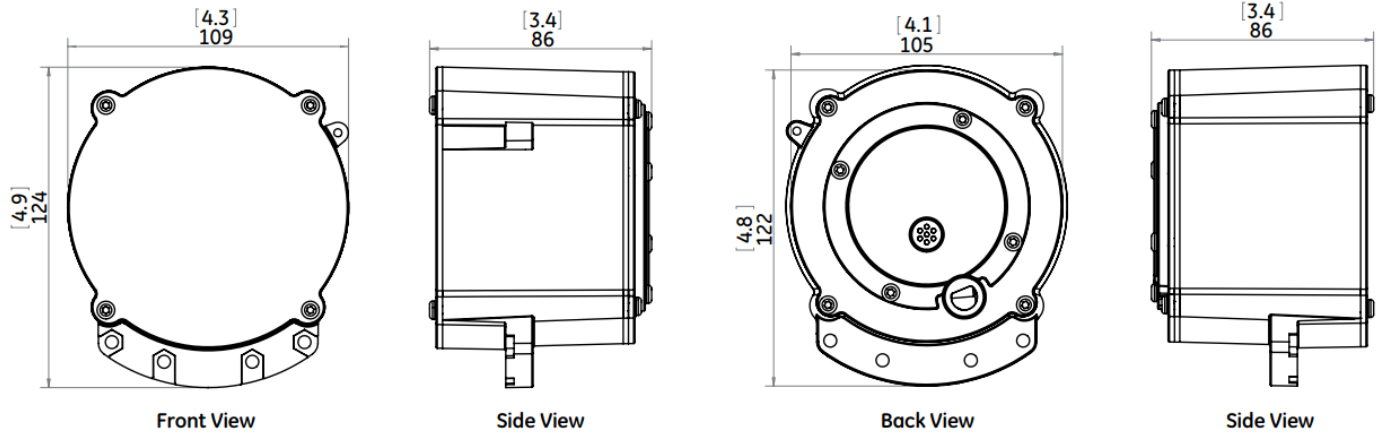
Meets Rigorous Certification & Testing Standards

- Meets AREMA chromaticity when placed behind AREMA compliant lens*
- All lamps undergo comprehensive testing during manufacturing process
- Meets military radiated immunity standard 50V/m MIL-STD-461F, exceeding AREMA recommendations

* AREMA 7.1.10 standard



Mechanical Outline Dimensions in mm [inches]



LED Module Information

	Parameter
Signal Name	Ace
Signal Model Number	TR3-WFFB-101A
Voltage Range	110V AC (60Hz)
Operating Temperature Range	-40°C to +70°C
Nominal Power	9.2 W
Nominal Current	0.084 A

Bracket Kit Options

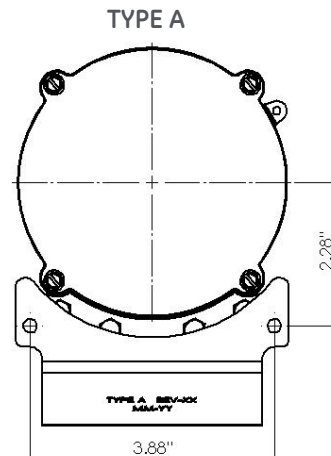
Bracket Model Number	Bracket Description	Hole Pattern**
93068258	BRA-TR3-001	Type A
93068259	BRA-TR3-002	Type B
93068260	BRA-TR3-003	Type C
93068261	BRA-TR3-004	Type D
93068262	BRA-TR3-005	Type E
93068263	BRA-TR3-006	Type F
93068264	BRA-TR3-007	Type G
93068265	BRA-TR3-008	Type H
93068746	BRA-TR3-009	Type I

Design Compliance

Characteristic	Compliance
Mechanical Vibration & Shock	AREMA 11.5.1, Class A
Environmental	Rain Testing: MIL-STD-810E Method 516.3, Procedure 1 Environmental Blowing Metal Dust Testing: MIL-STD-810E Method 510.3, Procedure I Sand Testing: MIL-STD-810E, Procedure
Dielectric Strength	AREMA 11.5.1, Class A
Electrical Surge Protection	EN61000-4-5, Class 3 and AREMA 11.3.3
Radiated Susceptibility	MIL-STD-461F RS101 MIL-STD-461F RS103 (50V/m)
Conducted Susceptibility	AREMA 2013 Part 11.5.2, EN1000-4-6, 10V(rms)
Conducted/Radiated Emissions	FCC, Part 15, Subpart B, Class B
Radio Transmitter Susceptibility	EN 50121-3-2

Bracket example

All Bracket options can be found on datasheet RAIL322- part 2. Each of them have a unique hole pattern to answer your needs.



* Preliminary. Subject to change

** Other custom brackets available, please contact your sales representative for more information.

*** Please contact your sales representative for other voltages.

ACE® LED – Bracket options

Signal Retrofit for Transit and Wayside

GE has developed brackets that fit in existing housings. Each of them have a unique hole pattern to answer your needs. Other custom brackets available, please contact your sales representative for more information.

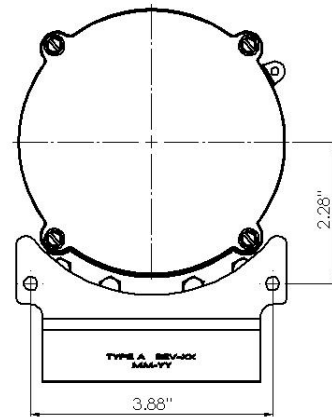
Each bracket kit includes the following items:

- A bracket
- An AREMA terminal
- The hardware required (screws, spacers, etc.)

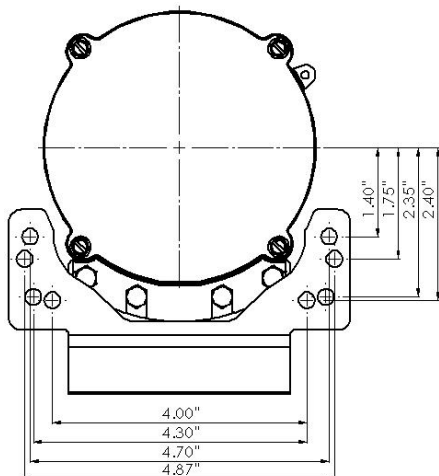
Bracket Kit Options

Bracket Model Number	Bracket Description	Hole Pattern**
93068258	BRA-TR3-001	Type A
93068259	BRA-TR3-002	Type B
93068260	BRA-TR3-003	Type C
93068261	BRA-TR3-004	Type D
93068262	BRA-TR3-005	Type E
93068263	BRA-TR3-006	Type F
93068264	BRA-TR3-007	Type G
93068265	BRA-TR3-008	Type H
93068746	BRA-TR3-009	Type I

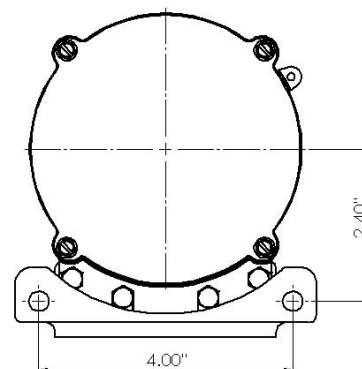
TYPE A



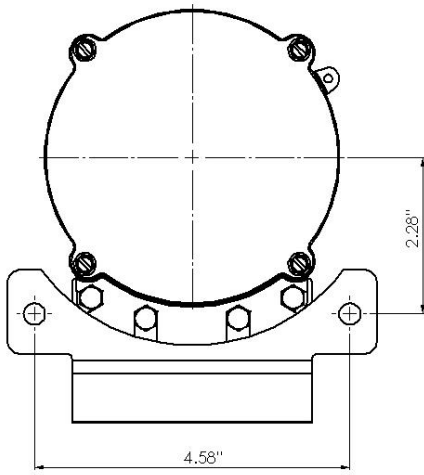
TYPE B



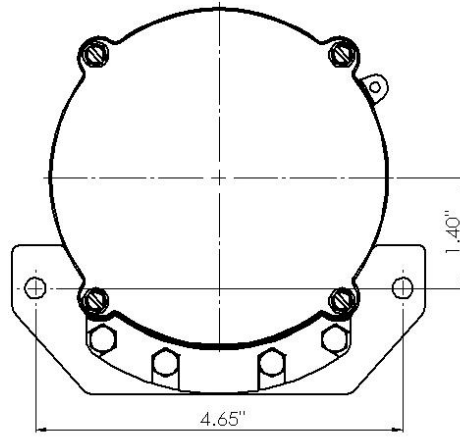
TYPE C



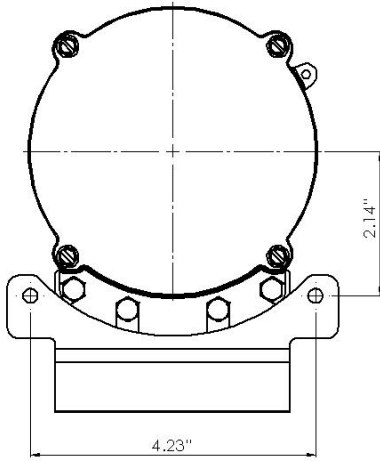
TYPE D



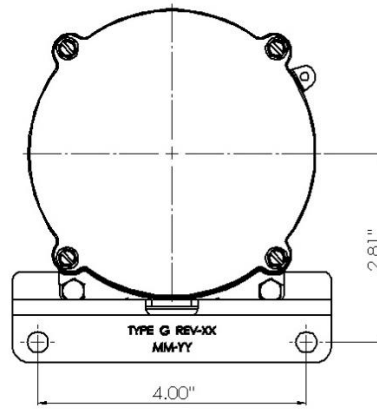
TYPE E



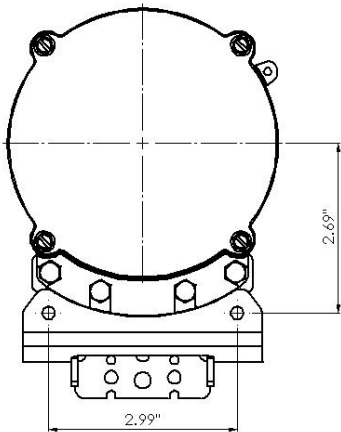
TYPE F



TYPE G



TYPE H



TYPE I

