

RG6 LED Level Crossing Signal Modules

12 inch (300mm)



Outstanding Reliability

- Self-contained design provides protection against moisture and dust
- Designed for retrofit into existing housings

Excellent Appearance & Visibility

- Robust LED system design enables high luminous intensity over long product life
- Optional sidelights

Meets Rigorous Certification & Testing Standards

- Meets AREMA standards
- All lamps undergo comprehensive testing in the manufacturing plant
- Lens withstands 100 mph baseball impact as per NOCSAE Impact Test ¹



RG6 LED Level Crossing Signal Modules

- 12 inch (300mm)



RG6 - Uniform Look

- Meets AREMA Class B Standards
- Transport Canada Compliant
- Optional sidelights provide additional visibility
- Efficient optical system delivers uniform color
- Optimum for solid state controllers



RG6 - Pixelated Look

- Meets AREMA Class B Standards
- Low power consumption for long battery back-up life
- Designed to ensure that sidelights are on only when the front signal is flashing
- Surge and over voltage protection protects LEDs
- Built for relay based and solid state controllers

Design Compliance

Parameter	Compliance
Environmental Limits	AREMA Part 11.5.1 - Class B
Electronic Noise	AREMA Part 11.5.1 - Class B
Transient Immunity	AREMA Part 11.3.3
Photometric Requirements	Transport Canada AREMA Part 3.2.35, 2 Type 30-15 and 20-32 3
Impact Resistance	100 mph baseball ¹

Operating Specifications

Parameter	Uniform Rating	Pixelated Rating
Operating Temperature Range	-40 to +70 °C (-40 to +158 °F)	-40 to +70 °C (-40 to +158 °F)
Operating Voltage Range	8 to 20V DC 8 to 16V AC (50-60 Hz)	8 to 14 V AC 8 to 14 V DC
Voltage Turn-Off (VTO)	4V	-
Power Surge	45 Vrms for 80 ms	42 Vrms for 80 ms 1000 Vrms for 1.8µs
Nominal Current Draw ⁴	1.5A	0.85A (DC) 1.05A (AC)
Inrush current nominal	16A for 100 µs	0A

Mechanical Outline Dimensions in inches, (mm) indicates metric equivalent

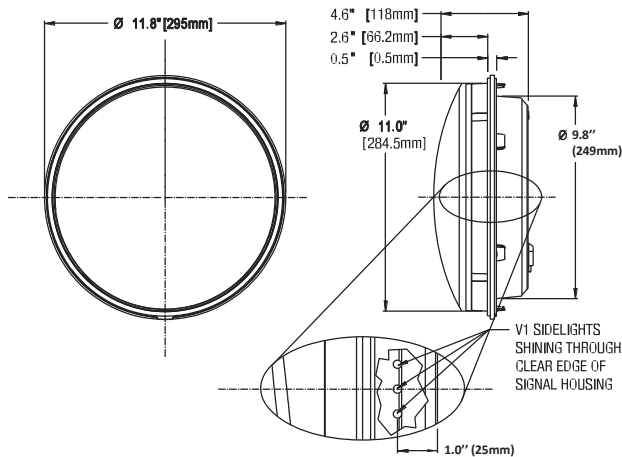


Figure A -Uniform Look

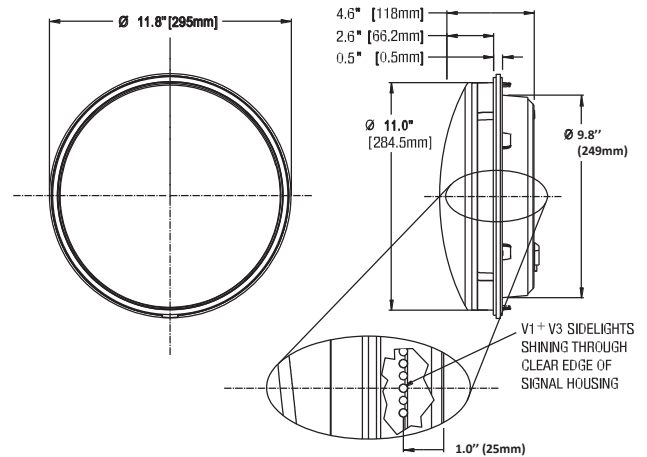
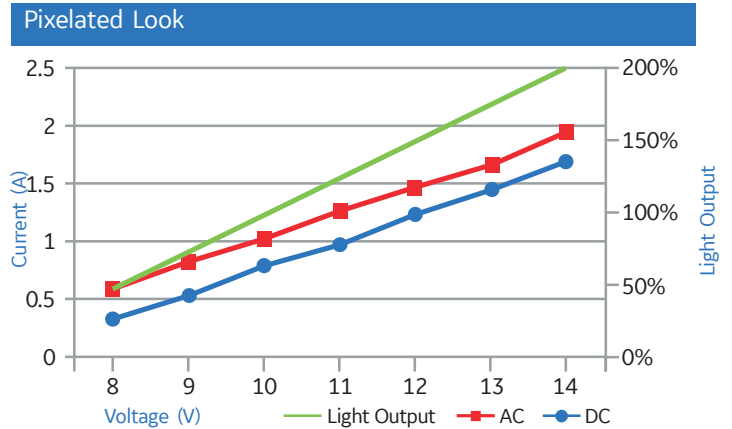
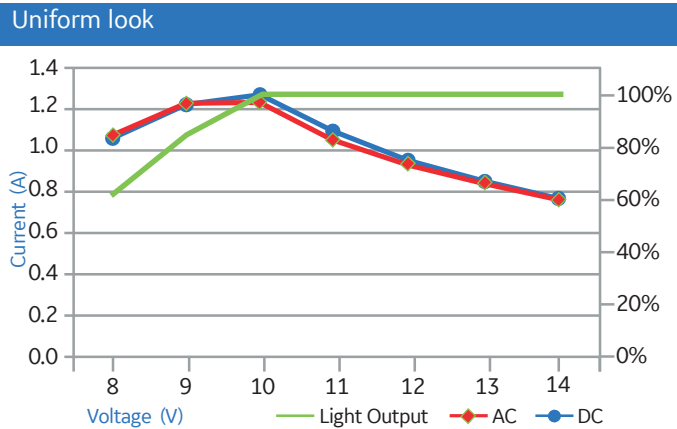


Figure B -Pixelated Look

Typical Current Draw



Product Information

Model Number	Sidelight Color	Lamp Appearance	Dominant Wavelength	Nominal Power	Typical Beam Angles (intensity)	Typical Field Angles (intensity)	Figure
● RG6-RTFB-48BV3-H7	White	Uniform	630	12 W AC / 12 W DC	20°H x -7.5°V	45°H x -17.5°V	A
● RG6-RTFB-48BV1-H7 ⁶	Red	Uniform	630	12 W AC / 12 W DC	20°H x -7.5°V	45°H x -17.5°V	A
● RG6-RTFB-01BV1-H7	Red	Pixelated	623	10.5 W AC / 8 W DC	30°H x 30°V	46°H x 46°V	B
● RG6-RTFB-01BV1-GH7 ⁵	Red	Pixelated	623	10.5 W AC / 8 W DC	30°H x 30°V	46°H x 46°V	B
● RG6-RTFB-01BV3-H7	White	Pixelated	623	10.5 W AC / 8 W DC	30°H x 30°V	46°H x 46°V	B
● RG6-RTFB-01BV3-GH7 ⁵	White	Pixelated	623	10.5 W AC / 8 W DC	30°H x 30°V	46°H x 46°V	B

All values are design or typical values when measured under laboratory conditions at T=25°C.

For gasket options, please contact your sales agent.

¹ Resists concentric impact from a baseball (NOCSAE DOC 072) projected per NOCSAE DOC 021 Section 5.2 & 12.

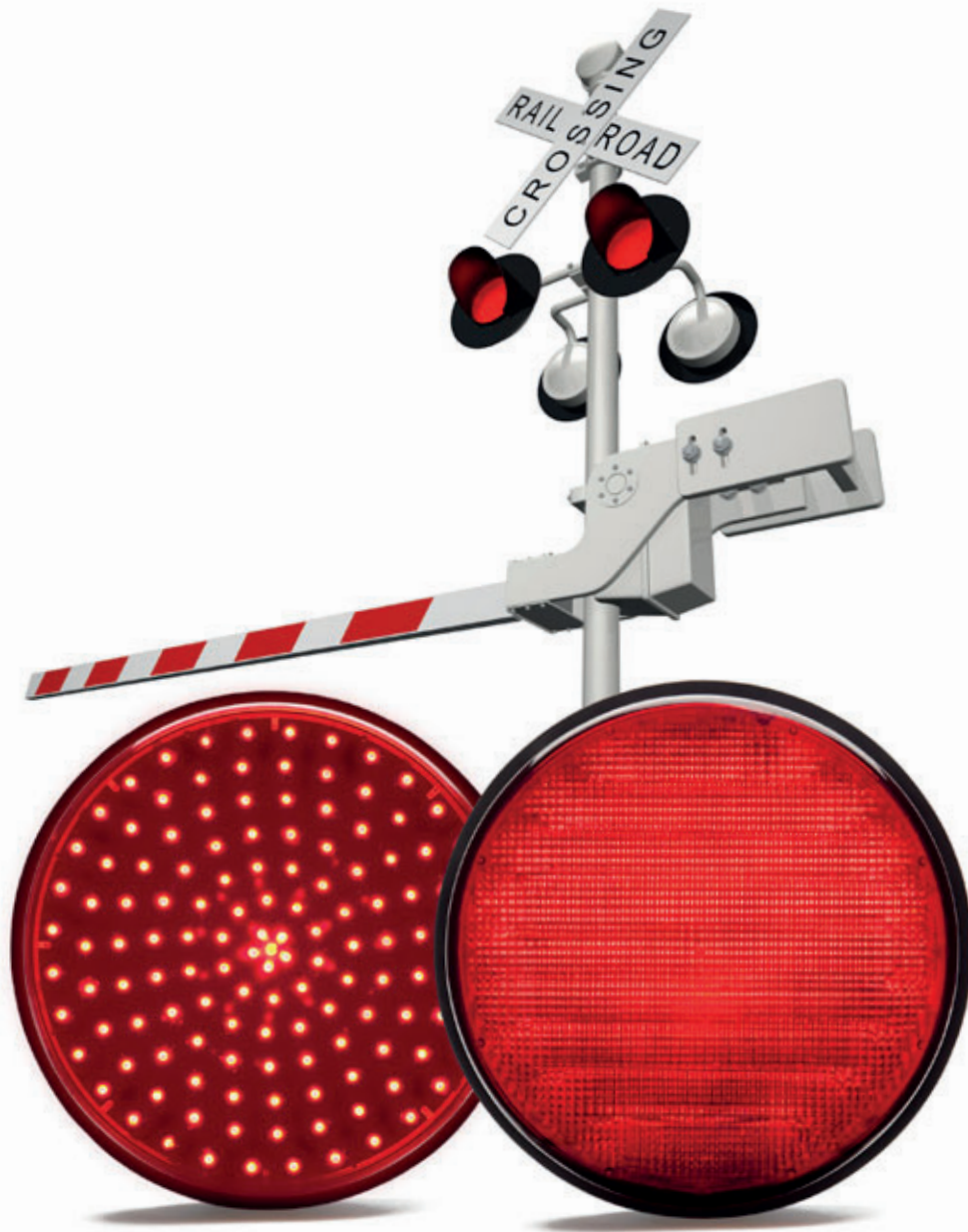
² Applicable to uniform look only.

³ Applicable to pixelated look only.

⁴ Based on nominal voltage of 10V.

⁵ With gasket option.

⁶ Also available in heavy duty (RG6-RTFB-48BV1-GH7).



The Greatest Signals Stand the Test of Time.™

Distributed by:

current
powered by GE

All trademarks are the property of their respective owners. Information provided is subject to change without notice. All values are design or typical values when measured under laboratory conditions. Current, powered by GE is a business of the General Electric Company.
©2018 GE

www.currentbyge.com | RAIL032 (Rev 2018/10/11) | 1-888-MY-GE-LED (1-888-69-43-533)

