

GE Evolve™

Canopy LED Petro Lighting
ECLP

current
powered by GE



Product Features

The Evolve™ Canopy LED Petro offers energy efficiency and quality light in a sleek, low-profile look and style. This innovative, highly efficient solution spreads the source lumens using a diffused aperture which creates optimized photometry for the typical canopy and sidewalk applications.

Applications

- Gas Stations Canopy
- Open Canopy

Housing

- Die-cast aluminum housing.
- Integrated design incorporates the heat sink directly into the unit ensuring maximum heat transfer and long LED life.

LED & Optical Assembly

- Evolve light engine consisting of a lens/diffuser designed to optimize application efficiency.
- Utilizes high brightness 3000K, 4000K and 5000K LEDs at 70 CRI typical.
- LM-79 tests and reports are performed in accordance with IESNA standards.
- Impact resistant tempered glass.

Lumen Maintenance

Reported Lxx per IES TM-21 at 25°C for reference:

Optical Code	Lxx (10k) @ hours	
	25,000 hr	60,000 hr
T 5	L95	L92
A 5	L96	L91
B 5	L96	L91
C 5	L95	L92
D 5	L92	L86

Note: Reported Lxx based on LM80 (10,000hour testing).

Lumen Ambient Temperature Factors

Ambient temperature (Deg. C)	Initial Flux Factor
10	1.03
20	1.01
25	1.00
30	0.99
40	0.96

Rating

- Suitable for wet locations per UL 1598.
- IP65 Optical enclosure per ANSI C136.25-2009.
- Temperature rated -40° to + 40°C.
- Complies with the material restrictions of RoHS.
- Meets 1.5G vibration standards per ANSI C136.31-2010.
- EMI: FCC Title 47 CFR Part 15 Class A.

Mounting

- Surface Mount

Finish

- Corrosion resistant polyester powder paint, minimum 2.0 mil. thickness.
- Standard colors: White, Dark Bronze & Black.
- RAL & custom colors available.

Electrical

- 120-277 volt, 347-480 volt available in C5 & D5 optic.
- System power factor is $\geq 90\%$ and THD $\leq 20\%*$
- Class "A" sound rating.
- Surge protection per IEEE/ANSI C136.2-2015 for product without control option:
 - Standard: 6KV/3kA "Typical: (40 Strikes)"
- Dimming/Motion Sensor Options:
 - Standalone dimming motion sensor with ambient light sensor (sensor option A)
 - Daintree wireless motion sensor (sensor option B)

* System power factor and THD specified at rated watts.

Warranty

- 5 Year Standard

Options

- Coastal Finish

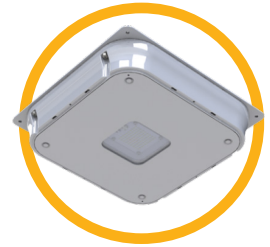
Accessories

- See LED Evolve ECL Accessories
 - 24" Escutcheon Plate
 - 32" Escutcheon Plate

GE Evolve™

Canopy LED Petro

ECLP



E C L P 0 1 - - - S M 7

FAMILY	GENERATION	VOLTAGE	OPTICAL CODE	DISTRIBUTION	CRI	CCT	DIMMING	CONTROLS	MOUNTING	FINISH	OPTIONS
E = Evolve C = Canopy L = LED P = Petro	01 = 1st Gen	0 = 120-277 D = 347* H = 347-480** * for A5,B5 ** for C5,D5		SM = Symmetric Medium	7 = 70 CRI	30 = 3000K 40 = 4000K 50 = 5000K	1 = None A = Wired to Control D = External wired 0-10V Leads	1 = None A = Motion Sensor IR Prog* B = Daintree Motion Sensor* *For Optical Code C5 and D5 with 347-480V, sensor not available	SM = Surface Mount	WHITE = White BLCK = Black DKBZ = Dark Bronze	Y = Coastal Finish* *call for availability



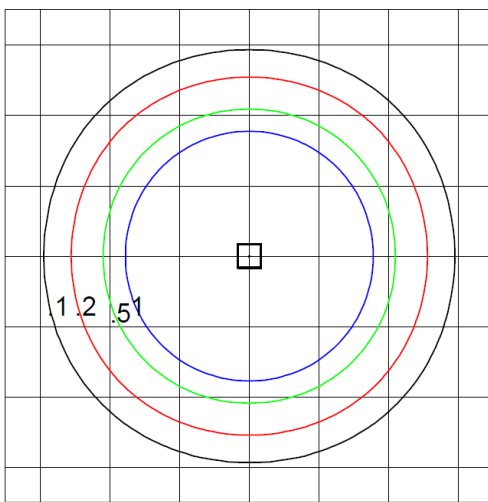
Optical Code	Dist.	Typical Initial Lumens					Typical System Watts						IES File Numbers					
							3000K		4000K		5000K		3000K		4000K		5000K	
		3000K	4000K	5000K	120-277V	347-480V	120-277V	347-480V	120-277V	347-480V	120-277V	347-480V	120-277V	347-480V	120-277V	347-480V	120-277V	347-480V
T5	SM	3600	3700	3700	29	NA	ECLP01_TSS M730_-120-277V. IES	NA	ECLP01_TSS M740_-120-277V. IES	NA	ECLP01_TSS M750_-120-277V. IES	NA						
A5	SM	5200	5400	5400	39	43*	ECLP01_ASS M730_-120-277V. IES	ECLP01_ASS M730_-347-480V. IES	ECLP01_ASS M740_-120-277V. IES	ECLP01_ASS M740_-347-480V. IES	ECLP01_ASS M750_-120-277V. IES	ECLP01_ASS M750_-347-480V. IES						
B5	SM	6900	7100	7100	54	58*	ECLP01_BSS M730_-120-277V. IES	ECLP01_BSS M730_-347-480V. IES	ECLP01_BSS M740_-120-277V. IES	ECLP01_BSS M740_-347-480V. IES	ECLP01_BSS M750_-120-277V. IES	ECLP01_BSS M750_-347-480V. IES						
C5	SM	9700	10000	10000	71		ECLP01_C5S M730_ IES		ECLP01_C5S M740_ IES		ECLP01_C5S M750_ IES							
D5	SM	13000	13400	13400	101		ECLP01_D5S M730_ IES		ECLP01_D5S M740_ IES		ECLP01_D5S M750_ IES							

*Only 347V available

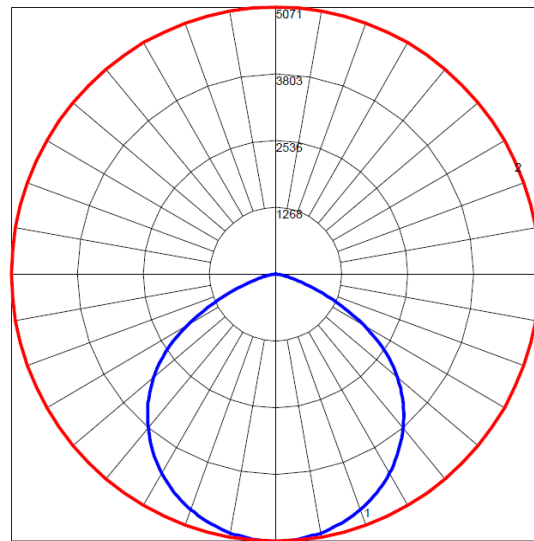
Photometrics

ECLP - Symmetric Medium

13,400 lumens, 5000K (ECLP01_D5SM750_)



Grid Distance in Units of Mounting Height at 15'
Initial Footcandle Values at Grade

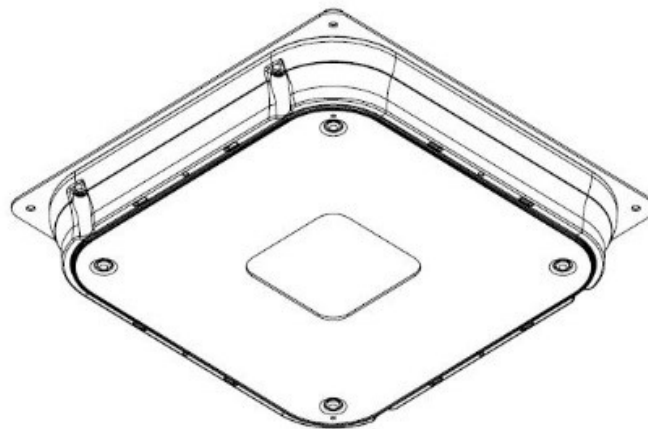
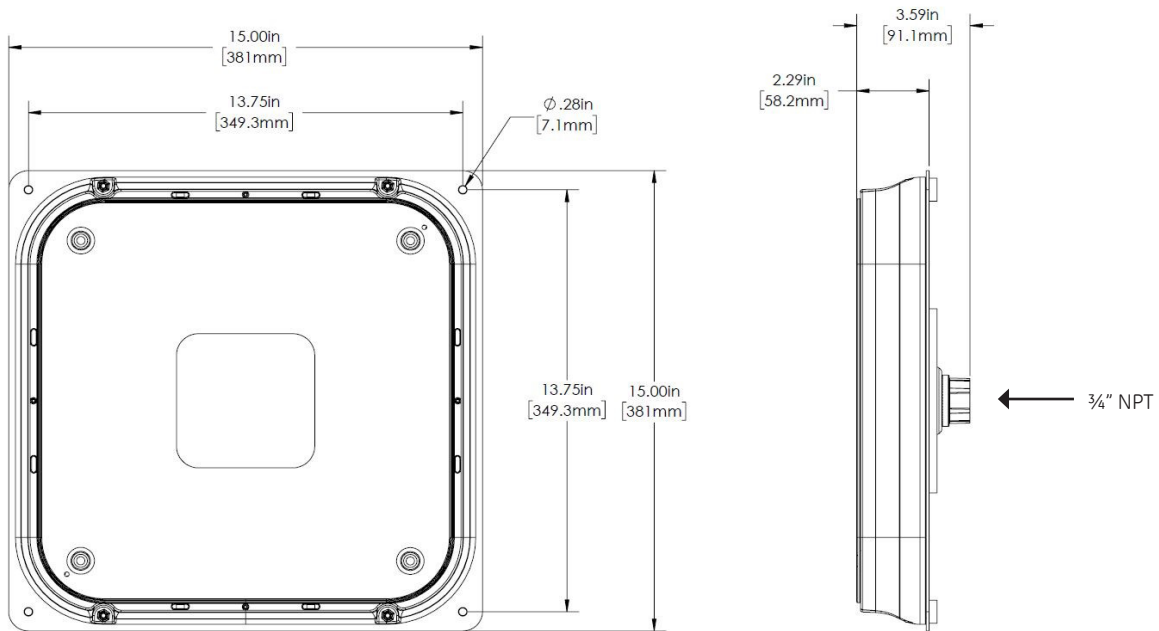


— Vertical plane through horizontal angle of Max. Cd at 90°
— Horizontal cone through vertical angle of Max. Cd at 1°

Product Dimensions

Evolve Canopy LED Petro (ECLP)

Surface Mount: SM



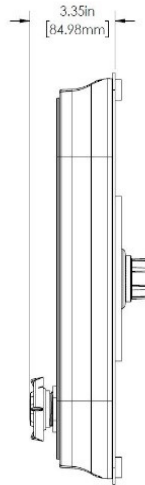
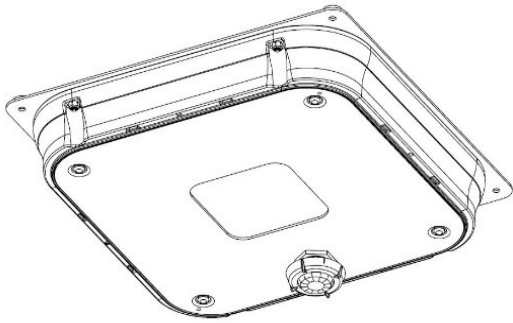
PART	TOTAL WEIGHT (LBS.)
Surface Mount (SM)	12.6

Motion Sensing:

- Intended for 8-25ft mounting heights.
- Provides a coverage area radius for walking motion of 15-20ft.
- Provides 360° of coverage.
- **Option A:**
 - Factory pre-set 50% dimmed light output with no occupancy.
 - May be reprogrammed using remote programmer part number: WS FSIR-100 PROGRAMMER (197634).
 - Photoelectric control is integrated through the motion sensor, and is offered as standard.
- **Option B:** Requires Daintree wireless network. Sensor reprogramming through network.

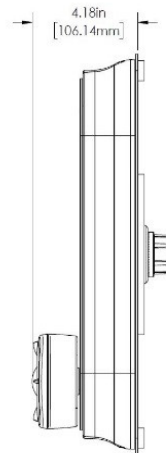
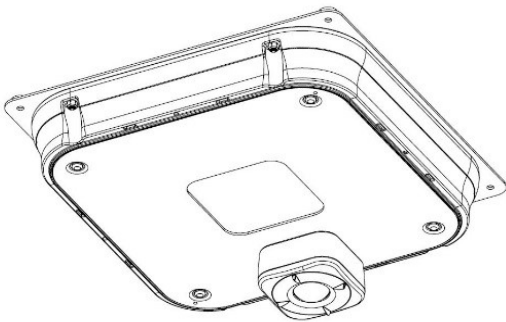
Option A:

Wattstopper: Sensor FSP-211, Lens FSP-L2



Option B:

Daintree: WHS100-BM



Approximate Sensor Pattern:

Canopy Fixture

15 ft. Mounting Height

