



GE Evolve™
Canopy LED Soffit
ECLS



current
powered by GE



Product Features

The Evolve™ Canopy LED Soffit™ offers energy efficiency and quality of light in a sleek low-profile look and style. This innovative, highly efficient solution spreads the source lumens using a diffused aperture which creates photometric options optimized for the typical canopy and sidewalk applications.

Applications

- Convenience Store, Pharmacy, Fast-Food, and other covered drive-thru canopies and perimeter sidewalk soffits.
- For sealed deck applications only (enclosed canopy or soffit).

Housing

- Die-cast aluminum housing.
- Integrated design incorporates the heat sink directly into the unit ensuring maximum heat transfer and long LED life.

LED & Optical Assembly

- Evolve light engine consisting of a low glare lens/diffuser designed to optimize application efficiency and minimize glare.
- Utilizes high brightness 3000K, 4000K and 5000K LEDs at 70 CRI typical.
- LM-79 tests and reports are performed in accordance with IESNA standards.
- Impact resistant tempered glass.



Lumen Maintenance

Projected Lxx per IES TM-21 at 25°C for reference:

OPTICAL CODE	Lxx(10k)@Hours		
	25,000 hr	50,000 hr	100,000 hr
T5	L95	L93	L89
A5	L96	L92	L86
B5	L96	L92	L86

Notes: 1. Projected Lxx based on LM80 (10,000 hour testing).
2. DOE Lighting Facts Verification Testing Tolerances apply to initial luminous flux and lumen maintenance measurements.

Ratings

- /c/ Listed, suitable for wet locations per UL 1598.
- IP65 Optical enclosure per ANSI C136.25-2009.
- Temperature rated -40° to + 50°C.
- Complies with the material restrictions of RoHS.
- Meets 1.5G vibration standards per ANSI C136.31-2010.
- EMI: FCC Title 47 CFR Part 15 Class A.



DLC Premium qualified models available.
Please refer to <http://www.designlights.org/QPL> for complete information.

Mounting (see figures below for details)

- Surface
- Surface with 17.5" x 17.5" beauty plate.
- Recessed with 17.5" x 17.5" mounting plate.
- J box
- Pendant

Finish

- Corrosion resistant polyester powder paint, minimum 2.0 mil. thickness.
- Standard colors: White, Dark Bronze & Black.
- RAL & custom colors available.

Electrical

- 120-277 volt, 347 volt.
- System power factor is $\geq 90\%$ and THD $\leq 20\%$.*
- Class "A" sound rating.
- Surge protection per IEEE/ANSI C136.2-2015 with no controls:
- Standard: 6KV/3kA "Basic: (40 Strikes)"
- Standalone dimming occupancy sensor with ambient light sensor available .
- Daintree occupancy sensor available (front mounted).

* System power factor and THD specified at rated watts.

Warranty

- 5 Year Standard

Options

- Surface conduit accommodated through three side plugs
- Coastal Finish

GE Evolve™ Canopy LED Soffit ECLS



Project name _____
Date _____
Type _____

ECLS 01 SM 7

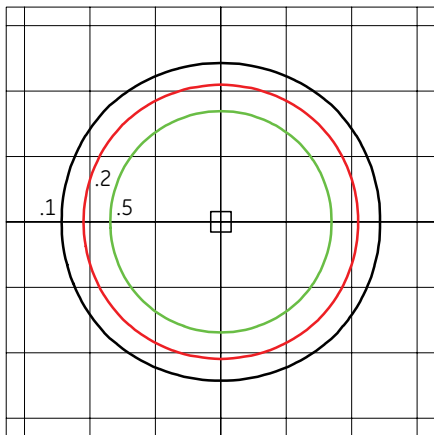
FAMILY	GENERATION	VOLTAGE	OPTICAL CODE	DISTRIBUTION	CRI	CCT	DIMMING	CONTROLS	MOUNTING	FINISH	OPTIONS
E = Evolve C = Canopy L = LED S = Soffit	01 = 1st Gen	0 = 120-277 D = 347* * Not available with optical code T5		SM = Symmetric Medium	7 = 70 CRI	30 = 3000K 40 = 4000K 50 = 5000K	1 = None A = Wired to Control D = External wired 0-10V Leads	1 = None A = Motion Sensor IR Prog# B = Daintree Motion Sensor # Requires Dimming Option A	SM = Surface Mount RM = Recessed Mount PM = Pendant Mount JM = J-Box Mount SB = Surface Mount w/Beauty Plate	WHITE = White BLCK = Black DKBZ = Dark Bronze	Y = Coastal Finish SC = Side Conduit Holes XXX = Special Options

TYPE V	OPTICAL CODE	DIST.	TYPICAL INITIAL LUMENS			TYPICAL SYSTEM WATTAGE		IES FILE NUMBERS					
			3000K	4000K	5000K	120-277	347	3000K		4000K		5000K	
								120-277V	347V	120-277V	347V	120-277V	347V
	T5	SM	3600	3700	3700	29	N/A	ECLS01_T5SM730_-120-277VIES	N/A	ECLS01_T5SM740_-120-277VIES	N/A	ECLS01_T5SM750_-120-277VIES	N/A
	A5	SM	5200	5400	5400	39	43	ECLS01_A5SM730_-120-277VIES	ECLS01_A5SM730_-347VIES	ECLS01_A5SM740_-120-277VIES	ECLS01_A5SM740_-347VIES	ECLS01_A5SM750_-120-277VIES	ECLS01_A5SM750_-347VIES
	B5	SM	6900	7100	7100	54	58	ECLS01_B5SM730_-120-277VIES	ECLS01_B5SM730_-347VIES	ECLS01_B5SM740_-120-277VIES	ECLS01_B5SM740_-347VIES	ECLS01_B5SM750_-120-277VIES	ECLS01_B5SM750_-347VIES

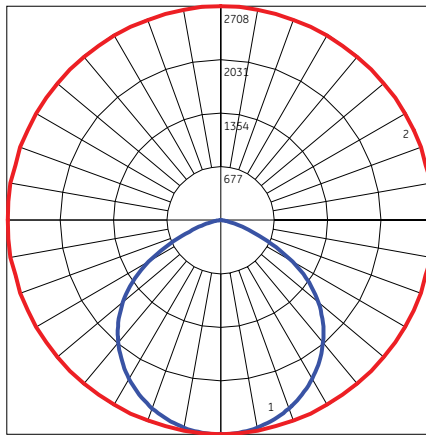
Photometrics

ECLS - Symmetric Medium

7,100 lumens, 5000K (ECLS01_B5SM750_)



Grid Distance in Units of Mounting Height at 15' Initial Footcandle Values at Grade

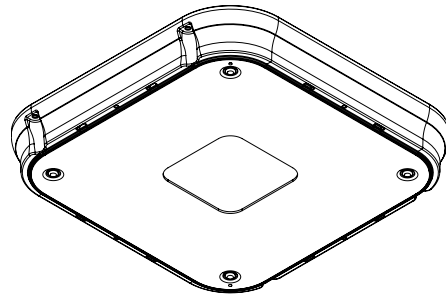
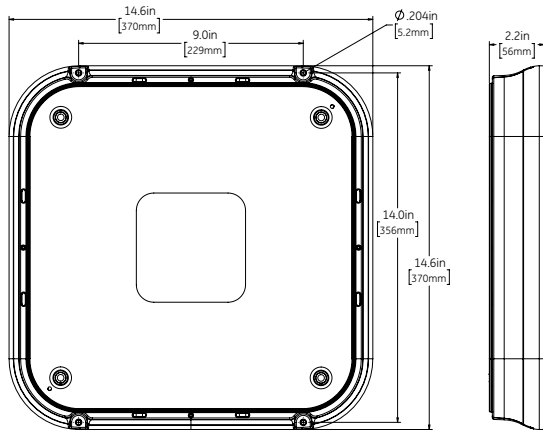


— Vertical plane through horizontal angle of Max. Cd at 90°
— Horizontal cone through vertical angle of Max. Cd at 1°

Product Dimensions

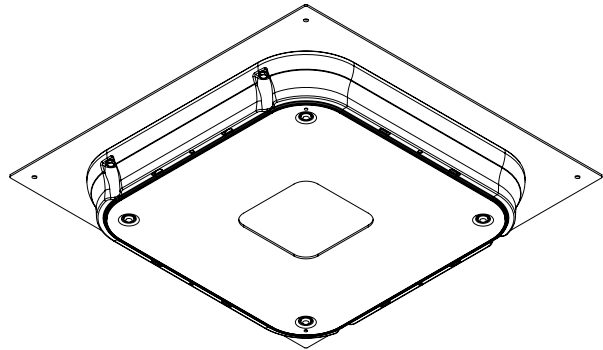
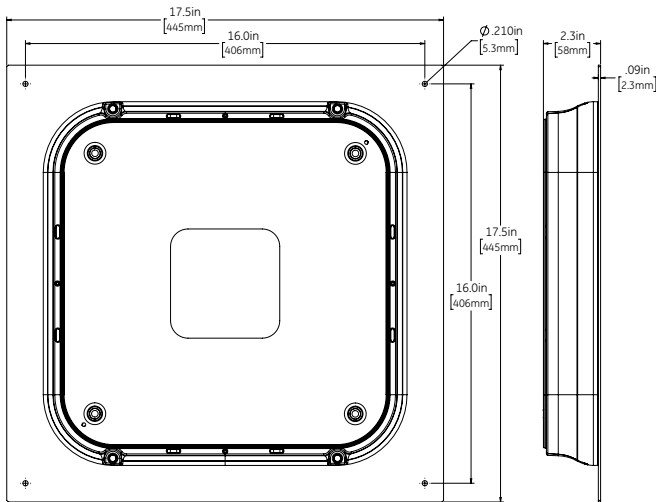
Canopy LED Soffit (ECLS)

Surface Mount: SM



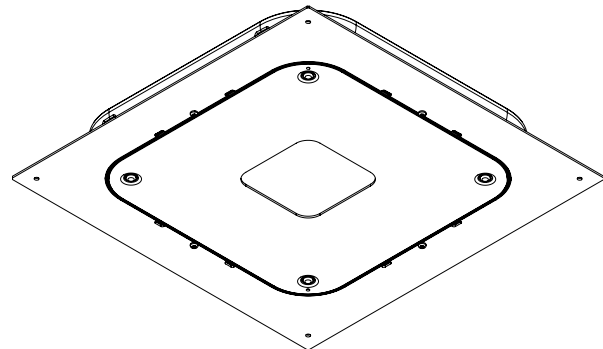
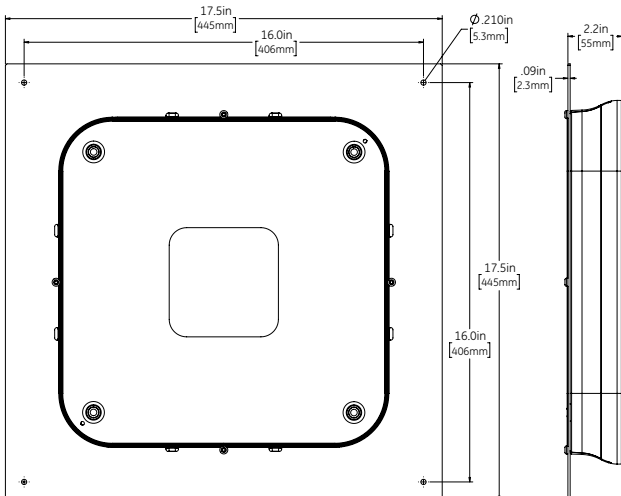
PART	TOTAL WEIGHT (LBS.)
Surface Mount (SM)	10.1

Surface Mount with Beauty Plate: SB



PART	TOTAL WEIGHT (LBS.)
Surface Mount with Beauty Plate (SB)	10.7

Recessed Mount: RM

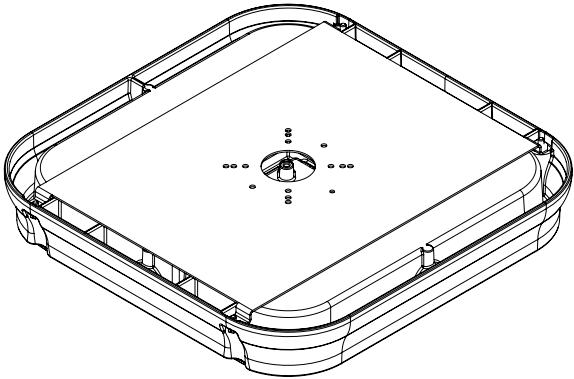


PART	TOTAL WEIGHT (LBS.)
Recessed Mount (RM)	12.4

Product Dimensions

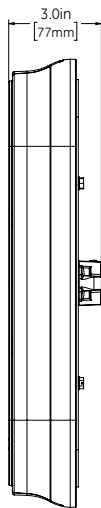
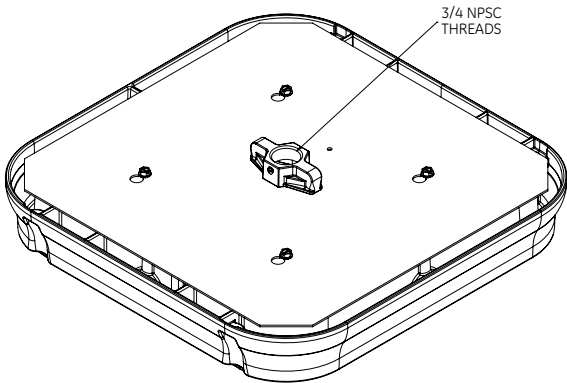
Canopy LED Soffit (ECLS)

J-Box Mount: JM



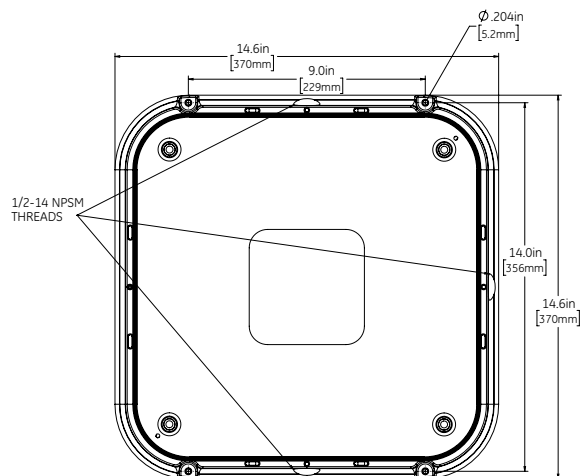
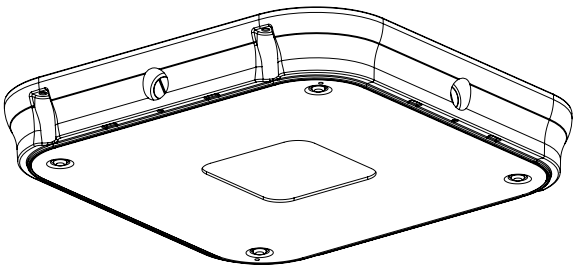
PART	TOTAL WEIGHT (LBS.)
J-Box Mount (JM) for 3" or 4" J-box	11.1

Pendant Mount: PM



PART	TOTAL WEIGHT (LBS.)
Pendant Mount (PM) *for rigid conduit only	11.5

Side Conduit Holes: SC

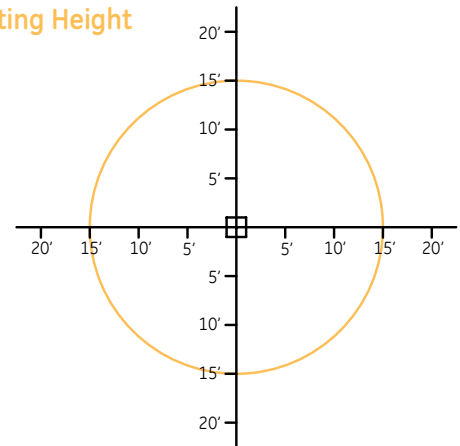


Motion Sensing:

- Intended for 8-25ft mounting heights.
- Provides a coverage area radius for walking motion of 15-20ft.
- Provides 360° of coverage.
- **Option A:** Factory pre-set 50% dimmed light output with no occupancy.
- **Option A:** May be reprogrammed using additional programmer. Remote programmer part number: WS FSIR-100 PROGRAMMER (197634).
- **Option A:** Photoelectric control is integrated through the motion sensor, and is offered as standard.
- **Option B:** May be reprogrammed using Daintree wireless network.

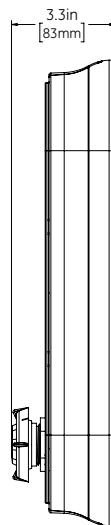
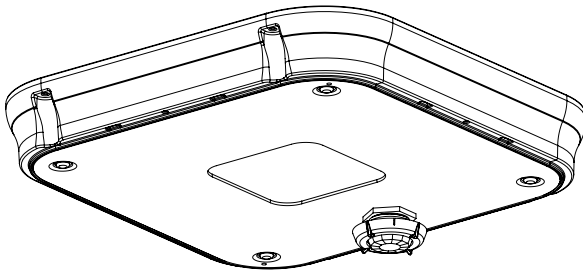
Approximate Sensor Pattern:

Canopy Fixture
15 ft. Mounting Height



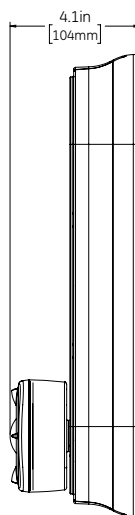
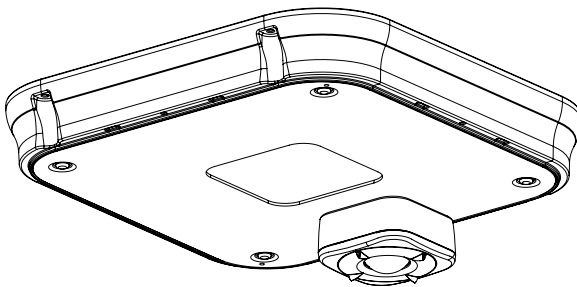
Option A:

Wattstopper: Sensor FSP-211, Lens FSP-L2



Option B:

Daintree: WHS100-BM



current
powered by GE

All trademarks are the property of their respective owners. Information provided is subject to change without notice. All values are design or typical values when measured under laboratory conditions. Current, powered by GE is a business of the General Electric Company.
© 2019 GE.

