

GE
Lighting

Evolve™ LED Area Light

Scalable Wall Pack (EWS2)



imagination at work

Product Features

The GE Evolve™ LED Scalable Wall Pack is optimized for customers looking for an efficient and reliable LED solution for wall mounted, site, area and general lighting applications.

Depending on the application, Evolve™ LED Scalable Wall Pack can yield up to a 75% reduction in system energy consumption compared with standard HID systems. This reliable system operates well in cold temperatures and offers more than 11 years of service life to reduce maintenance frequency and expense, based on a 50,000 hour rated life and 12 hours of operation per day. Containing no mercury or lead, this environmentally responsible product is RoHS compliant.

Applications

- Wall mounted, site, area and general lighting utilizing an advanced LED optical system providing uniformity, vertical light distribution, reduced offsite visibility, reduced on-site glare and effective security light levels.

Housing

- Die-cast aluminum housing.
- Sleek architectural design incorporating a heat sink directly into the unit ensuring maximum heat transfer and long LED life.
- Meets 1.5 G vibration standards per ANSI C136.31-2010.




LED & Optical Assembly

- Structured LED array for optimized area light photometric distribution.
- Evolve™ LED light engine utilizes reflective technology to optimize application efficiency and minimize glare.
- Utilizes high brightness LEDs, 70 CRI at 4000K & 5000K typical.
- LM-79 tests and reports are performed in accordance with IESNA standards.

Lumen Maintenance

- System rating is L85 at 50,000 hours, with L70 > 100,000 hours.

Ratings

-  listed, suitable for wet locations.
-  listed with option code "J" SKUs.
- IP 65 rated optical enclosure per ANSI C136.25-2009.
- Title 24 compliant with motion sensor option.
- Temperature rated at -40° to 50°C. (35°C at high wattage 91W SKU).
- Upward Light Output Ratio (ULOR) = 0
-  DLC Listed

Please refer to the DLC QPL website for the latest and most complete information.
www.designlights.org/QPL

Mounting

- Flush wall mount to "J" Box with inspection hole for IP 65.

Finish

- Corrosion resistant polyester powder paint, minimum 2.0 mil. thickness.
- Standard colors: Black and Dark Bronze.
- RAL & custom colors available.

Electrical

- 120-277 volt and 347-480 volt available.
- System power factor is >90% and THD <20%*.
- Integral surge protection:
 - Exceeds ANSI C136.2-2015 "Basic" (6kV/3kA) (120 strike)
- EMI: FCC Title 47 CFR Part 15 Class A.
- Motion sensor with dimming capability available with "H" option code.

* System THD <26% for 347-480v supply with A7 power level.

Ordering Number Logic

Scalable Wall Pack (EWS2)



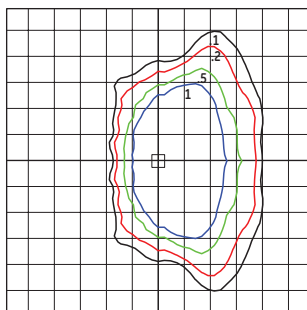
EWS2

PROD. ID	VOLTAGE	POWER LEVEL	PHOTOMETRIC TYPE	LED COLOR TEMP	PE FUNCTION	COLOR	OPTIONS
E = Evolve W = Wallpack S = Scalable 2 = Product Generation	0 = 120-277 H = 347-480 1 = 120* 2 = 208* 3 = 240* 4 = 277* 5 = 480* D = 347* *Specify single voltage only if fuse option is selected.		D1 = Asymmetric Forward E1 = Asymmetric Medium	40 = 4000K 50 = 5000K	1 = None NOTE: Select "H" Option for PE functionality with Motion-Sensing Dimming Control.	BLCK = Black DKBZ = Dark Bronze GRAY = Gray WHTE = White Contact manufacturer for other colors.	F = Fusing H = Motion Sensor* J = cUL/Canada XXX = Special Options *Option H only available in 120-277V. Reference page 5 (under H Motion Sensing Option) for more details.

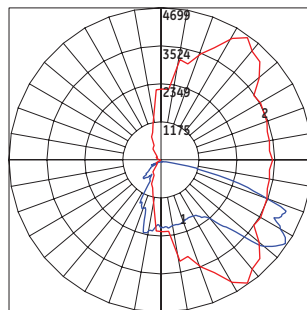
POWER LEVEL	PHOTOMETRIC TYPE	TYPICAL INITIAL LUMENS		TYPICAL SYSTEM WATTAGE		IES FILE NUMBERS 4000K		IES FILE NUMBERS 4000K		IES FILE NUMBERS 5000K		IES FILE NUMBERS 5000K		B-U-G RATING
		4000K	5000K	120-277V	347-480V	120-277V		347-480V		120-277V		347-480V		
A7	D1	3,100	3,100	29	34	EWS2_A7D140____-120-277V.IES		EWS2_A7D140____-347-480V.IES		EWS2_A7D150____-120-277V.IES		EWS2_A7D150____-347-480V.IES		1-0-1
	E1	3,100	3,100	29	34	EWS2_A7E140____-120-277V.IES		EWS2_A7E140____-347-480V.IES		EWS2_A7E150____-120-277V.IES		EWS2_A7E150____-347-480V.IES		1-0-1
B7	D1	3,900	3,900	39	44	EWS2_B7D140____-120-277V.IES		EWS2_B7D140____-347-480V.IES		EWS2_B7D150____-120-277V.IES		EWS2_B7D150____-347-480V.IES		1-0-1
	E1	4,000	4,000	39	44	EWS2_B7E140____-120-277V.IES		EWS2_B7E140____-347-480V.IES		EWS2_B7E150____-120-277V.IES		EWS2_B7E150____-347-480V.IES		1-0-1
C7	D1	4,800	4,800	51	55	EWS2_C7D140____-120-277V.IES		EWS2_C7D140____-347-480V.IES		EWS2_C7D150____-120-277V.IES		EWS2_C7D150____-347-480V.IES		1-0-1
	E1	4,900	4,900	51	55	EWS2_C7E140____-120-277V.IES		EWS2_C7E140____-347-480V.IES		EWS2_C7E150____-120-277V.IES		EWS2_C7E150____-347-480V.IES		1-0-1
D3	D1	6,700	6,700	70	70	EWS2_D3D140____.IES		EWS2_D3D140____.IES		EWS2_D3D150____.IES		EWS2_D3D150____.IES		1-0-1
	E1	7,000	7,000	70	70	EWS2_D3E140____.IES		EWS2_D3E140____.IES		EWS2_D3E150____.IES		EWS2_D3E150____.IES		2-0-1
E3	D1	8,400	8,400	91	91	EWS2_E3D140____.IES		EWS2_E3D140____.IES		EWS2_E3D150____.IES		EWS2_E3D150____.IES		2-0-2
	E1	8,500	8,500	91	91	EWS2_E3E140____.IES		EWS2_E3E140____.IES		EWS2_E3E150____.IES		EWS2_E3E150____.IES		2-0-1

Photometrics

EWS2 - Asymmetric Forward (D1)
8400 Lumens, 5000K (EWS2_E3D150____.IES)

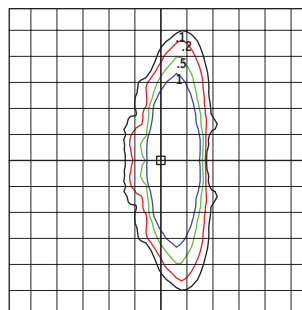


Grid Distance in Units of Mounting Height at 12' Initial Footcandle Values at Grade

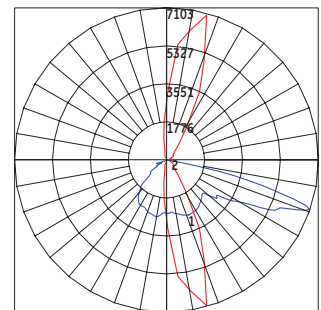


Polar Trace Vertical and Horizontal Plane through Horizontal Angle of Maximum Candlepower

EWS2-Asymmetric Medium (E1)
8500 Lumens, 5000K (EWS2_E3E150____.IES)



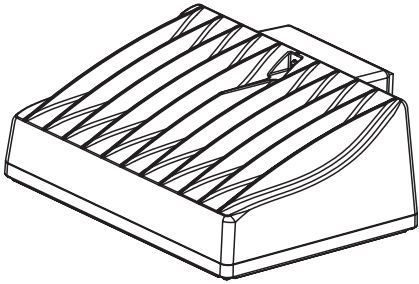
Grid Distance in Units of Mounting Height at 12' Initial Footcandle Values at Grade



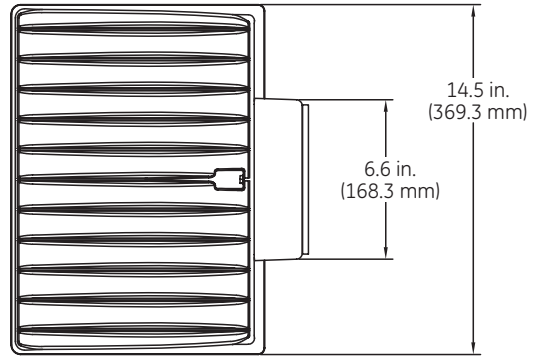
Polar Trace Vertical and Horizontal Plane through Horizontal Angle of Maximum Candlepower

Product Dimensions

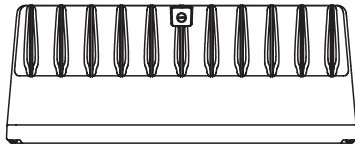
Top/Side View



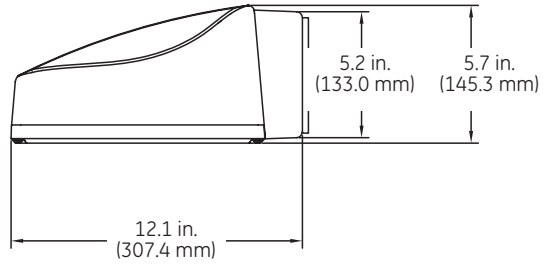
Top View



Front View

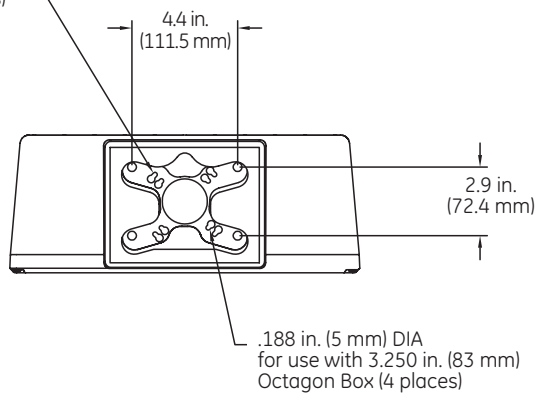


Side View



.188 in. (5 mm) DIA
for use with 4.000 in. (102 mm)
Octagon Box (4 places)

Back View

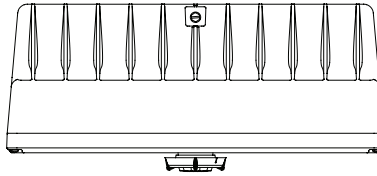


DATA

- Approximate Net Weight: 21 lbs (9.53 kgs)

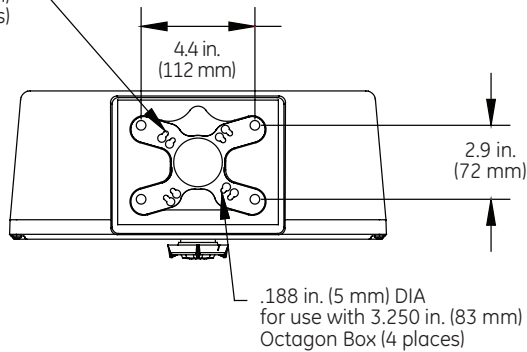
Product Dimensions

Front View with Motion Sensor Option

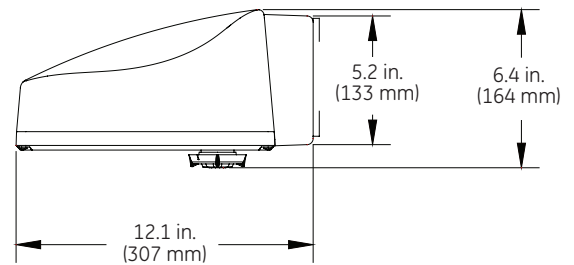


Back View with Motion Sensor Option

.188 in. (5 mm) DIA for use with 4.000 in. (102 mm) Octagon Box (4 places)

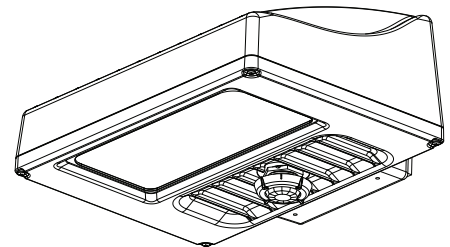


Side View with Motion Sensor Option



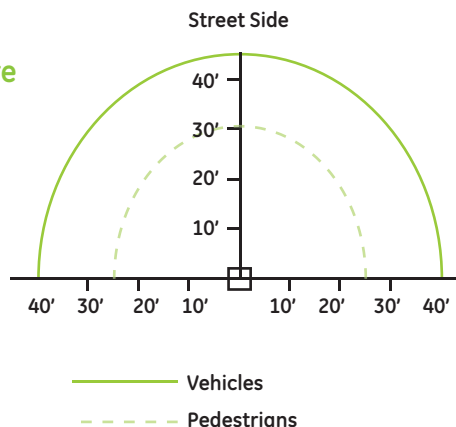
H-Motion Sensing Option:

- Intended for 8-25ft mounting heights.
- Provides a coverage area radius for walking motion of 25-30ft.
- Provides 180° of coverage (~180° is blocked by the wall).
- Factory preset to 50% dimming with no occupancy.
- May be reprogrammed using additional remote programmer.
Remote Programmer part number: WS FSIR-100 PROGRAMMER (197634)
- Photoelectric control is integrated through the motion sensor, and is offered as standard.



Sensor Pattern:

Sensing Pattern Wall Pack Fixture Up to 25ft.





www.gelighting.com

GE and the GE Monogram are trademarks of the General Electric Company. All other trademarks are the property of their respective owners. Information provided is subject to change without notice. All values are design or typical values when measured under laboratory conditions. GE Lighting is a business of the General Electric Company.
© 2016 GE.

OLP3092 (Rev 03/24/16)