

GE
Lighting

Roadway Lighting

M-400R2 (M4RR)



imagination at work

Product Features

From HID to LED, GE continues to push Roadway Lighting to new heights. Recognized for the highest quality and reliability in street, highway, parkway, and commercial applications, GE offers a wide selection of styles to meet the lighting needs of municipalities, utilities, DOT customers and more.

Applications

- For street, highway and parking lot lighting

Housing

- Die-cast aluminum housing.
- External stainless steel bail latch

Finish

- Polyester powder gray paint finish

Mounting

- 1.25" - 2" universal four-bolt slipfitter

Reflectors

- ALGLAS™ finish on reflector

Unique Features

- Adjustable mogul base socket (street side)
- Plug-in ignitor
- No-tool PE receptacle

Ordering Number Logic

M-400R2 (M4RR)



M4RR **S** **G**

PROD. ID	WATTAGE	LIGHT SOURCE	VOLTAGE	BALLAST TYPE SELECTION	PE FUNCTION	LENS TYPE	IES DISTRIBUTION TYPE	OPTIONS
M4RR = M-400R2	20 = 200 24 = 250/400 25 = 250 31 = 310 40 = 400 NOTE: Dual wattage connected for lower wattage	S = HPS Standard: Lamp not included.	60Hz 0 = 120/208/240/277 Multivolt 1 = 120 2 = 208 3 = 240 4 = 277 5 = 480 7 = 120X240 8 = 240V Ballast 120V PE Receptacle not reconnectable NOTE: 120X240 connected for 120V	See Ballast Selection Table A = Autoreg H = HPF Reactor or Lag M = Mag-Reg N = NPF Reactor or Lag	1=None 2=PE Receptacle NOTE: Receptacle connected same voltage as unit except as noted. Order PE Control separately.	G = Glass, Sag	See Photometric Selection Table M = Medium S = Semi-cutoff N = Non-Cutoff 2 = Type II 3 = Type III	F = Fusing (Not available with multivolt or dual voltage) C = Charcoal Filter

Ballast Selection Table

Ballast Type/Voltage									
Wattage	Light Source	Multivolt	120	208	240	277	480	120X240	240/120 PER ECPT
200, 250	HPS	A,M	A,H,M,N	A,H,M,N	A,H,M,N	A,M	A,M	A,M	A,H,M,N
310, 400	HPS	A,M	A,M	A,H,M,N	A,H,M,N	A,M	A,M	A,M	A,H,M,N
250/400	HPS	A	A	A	A	A	A	N/A	N/A

NOTE: N/A = Not available.

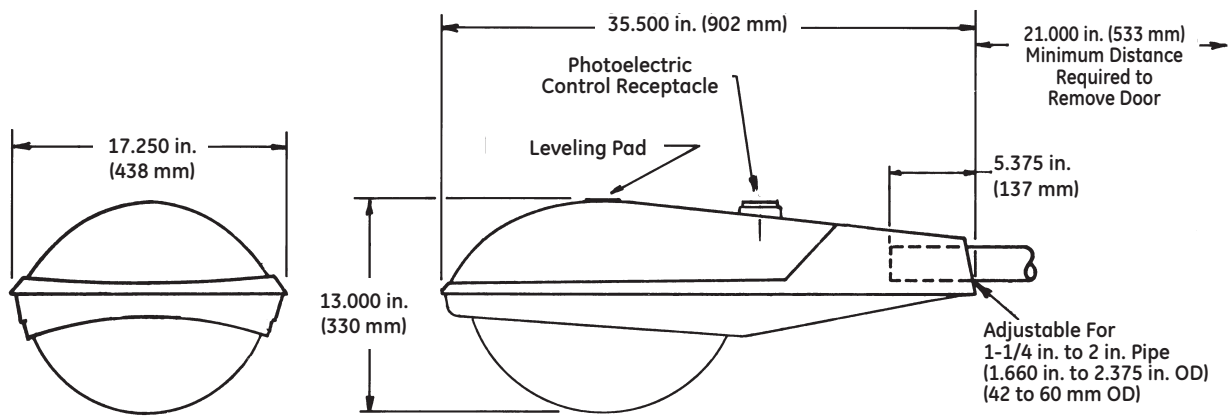
Photometric Selection Table

All light sources are clear unless otherwise indicated.

		IES Distribution Type Photometric Curve Number 35-(Socket Postition) All with glass prismatic refractor only		
Wattage	Light Source	MN3	MS2	MS3
200, 250, 310, 400	HPS	7319(2A)	7317(1B)	17453240

NOTE: N/A = Not Available C/F = Contact Manufacturer

Product Dimensions



DATA

- Approximate Net Weight: 32-39 lbs (15-18 kgs)
- Effective Projected Area: 1.1 sq. ft. max. (0.1 sq. M max.)
- Suggested Mounting Height: 30-50 ft. (9-15 M)



www.gelighting.com

GE and the GE Monogram are trademarks of the General Electric Company. All other trademarks are the property of their respective owners. Information provided is subject to change without notice. All values are design or typical values when measured under laboratory conditions. GE Lighting and GE Lighting Solutions, LLC are businesses of the General Electric Company. © 2014 GE.

OLP2927 (Rev 11/04/14)