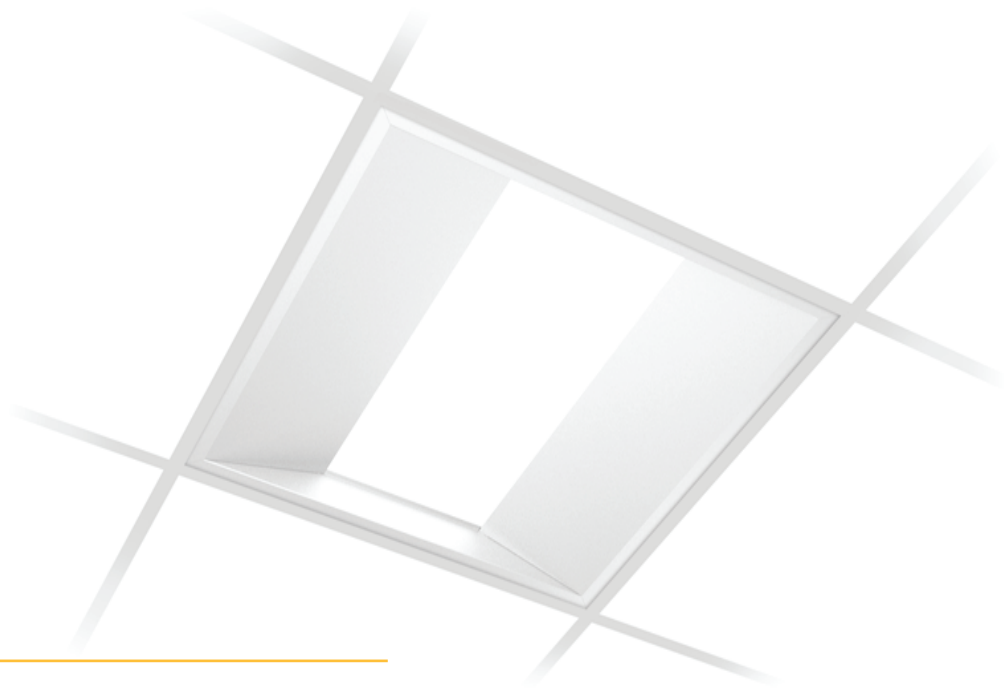


BRR

LED Luminaire



Industrial



Retail



General Lighting

GE's Lumination™ BRR Series LED Luminaire is a recessed luminaire utilizing an advanced LED optical system to achieve superior performance. It provides high uniformity, excellent efficiency, for exposed T, concealed and metal ceiling types. The lumen maintenance of L90 of initial lumens at 50,000 hours of operation, allows lower maintenance costs over time.

current
powered by GE

Features and benefits

- Uniform lit appearance whilst maintaining high efficacy of up to 127 lm/w
- Plug and socket options
- Suitable for exposed T and metal pan ceilings
- Long life (50,000 hours @ L90)
- RoHS compliant, mercury free
- Thermal overload protection
- No IR or UV radiation
- Compliant to photo biological safety standard
- Easy install & maintenance

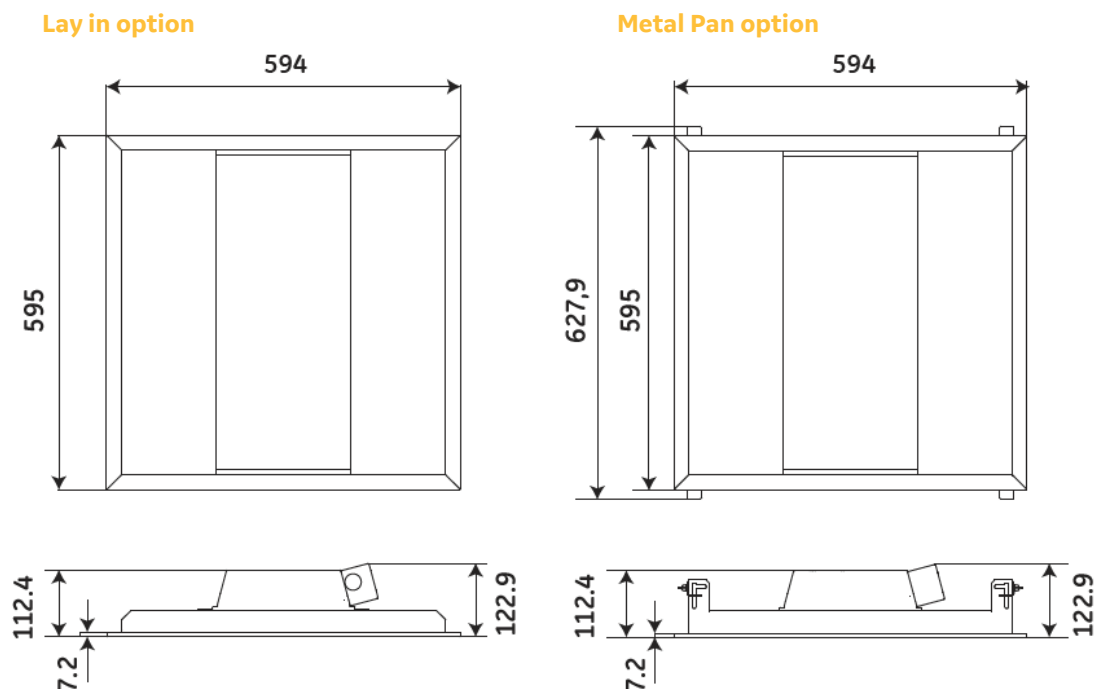
Specification summary

SKU	Product Description	System Lumen [lm]	Power [W]	System Efficacy [lm/W]	Colour Temp [K]	CRI [Ra]	Beam Angle	Weight (kg)	Emergency	Lead & Plug	Driver	Ceiling Type	Nominal Dimensions (mm)
93049506	BRR227W840DH2T9010N	5950	47	127	4000	80	Wide	5	No	No	Dali	Exposed-T	595x595x123
93049507	BRR227W840DH2M9010N	5950	47	127	4000	80	Wide	5.3	No	Yes	Dali	Metal Pan	595x595x123
93087788	BRR227W840DH3T04A9010N	5950	47	127	4000	80	Wide	5	No	No	Dali	Exposed-T	595x595x123
93087789	BRR227W840DH3M04A9010N	5950	47	127	4000	80	Wide	5.3	No	No	Dali	Metal Pan	595x595x123
93033041	BRR227W840DL2M00N9010N	3600	37	97	4000	80	Wide	5.3	No	No	Dali	Metal Pan	595x595x123
93087793	BRR227W840DL3M04A9010N	3600	37	97	4000	80	Wide	5.3	No	Yes	Dali	Metal Pan	595x595x123
93043128	BRR227W840DL2T04A9010N	3600	37	97	4000	80	Wide	5	No	Yes	Dali	Exposed-T	595x595x123
93043127	BRR227W840DH2T00N9010N	3600	37	97	4000	80	Wide	5	No	No	Dali	Exposed-T	595x595x123
93087794	BRR227W840HH3T04D9010N	5950	47	127	4000	80	Wide	5	No	Yes	Static	Exposed-T	595x595x123
93087795	BRR227W840HH3T04D9010EM	5950	50	119	4000	80	Wide	5.5	Yes	Yes	Static	Exposed-T	595x595x123

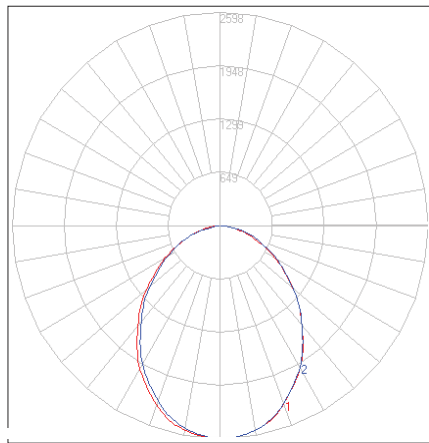
Specifications

Input frequency [Hz]	50/60
Power factor	>0.9
Colour temperature [K]	4000
Colour rendering	>80
Control gear	Static & DALI
Rated life [h]	50,000 @ L90
EM Output [LMS]	525 lumens

Dimensions [mm]



Photometry

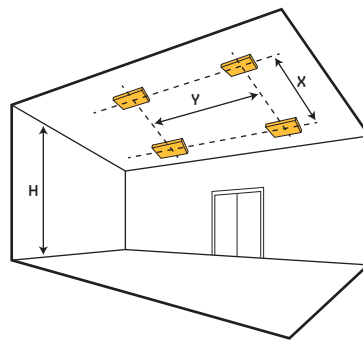


C270
C0 { } C180
C90

cd/klm
C0-C180
CMax

Wide Beam Optic

Performance Guide



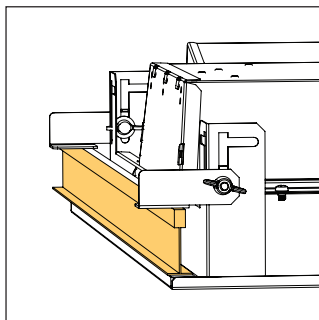
SKU	h	X	Y
93043127	2.7	3.0	2.4
3600lm	3.0	3.0	2.4
Wide Beam	3.5	3.0	2.4
	4.0	2.4	2.4

Parameters

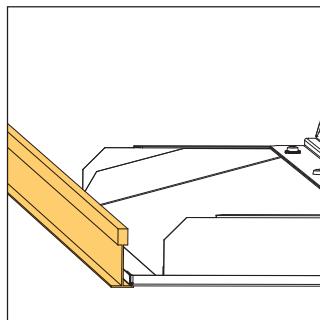
Illuminance	500 lux average
Reflectance	80/50/20
Working Plane	0.8m
MF	0.85

Ceiling Fit Detail

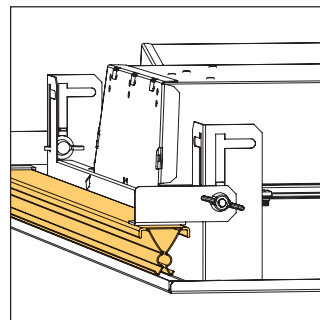
PULL-UP IN EXPOSED-T



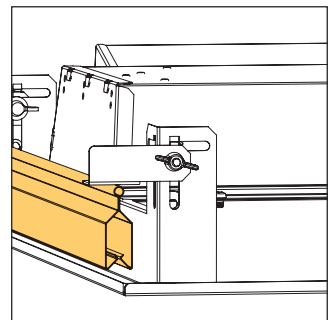
EXPOSED-T



SAS120*



SAS150*



*Other metal ceiling types can be accommodated - please ask for further information.

Accessories

SKU	Description
93035377	24x24-inch Imperial lay-in frame
93035378	24x24-inch Imperial frame for metal pan ceiling