

Refit™ Solutions

LED Refit Door Kit



BEFORE YOU BEGIN

Read these instructions completely and carefully.

⚠ WARNING

RISK OF FIRE OR ELECTRIC SHOCK

- Luminaires wiring and electrical parts may be damaged when drilling for installation of LED retrofit kit. Check for enclosed wiring and components.
- Do not alter, relocate, or remove wiring, lampholders, power supply, or any other electrical component.
- LED retrofit kit installation requires knowledge of luminaires electrical systems. If not qualified, do not attempt installation. Contact qualified electrician.
- Install this kit only in luminaires that have the construction features and dimensions shown in the photographs and/or drawings and where the input rating of the retrofit kit does not exceed the input rating of the luminaire.
- To prevent wiring damage or abrasion, do not expose wiring to edges of sheet metal or other sharp objects.
- Do not make or alter any open holes in an enclosure of wiring or electrical components during kit installation. Only those open holes indicated in the photographs and/or drawings may be made or altered as a result of kit installation. Do not leave any other open holes in an enclosure of wiring or electrical components.
- This product must be installed in accordance with the applicable installation code by a person familiar with the construction and operation of the product and the hazards involved.
- Suitable for dry location only.

⚠ CAUTION

RISK OF INJURY

- Door kit may fall down if not installed properly, follow installation instructions.
- This device is not intended for use with Emergency Exits.

⚠ AVERTISSEMENT

RISQUE D'INCENDIE OU D'ELECTROCUTION

- Le câblage du luminaire ainsi que ses composantes électriques peuvent être endommagés lors du perçage requis pour l'installation de l'ensemble de mise à niveau à DEL. Vérifiez le câblage et les composants.
- Ne pas altérer, relocaliser ou retirer les fils électrique, les douilles, l'alimentation ou les autre composants électrique.
- L'installation de l'ensemble de mise à niveau à DEL requiert des connaissances en système électrique d'éclairage. Si vous n'avez pas les qualifications adéquates, ne procédez pas à l'installation et contactez un électricien qualifié.
- N'installez cet ensemble de mise à niveau à DEL que sur des luminaires ayant une construction et des dimensions indiquées sur les photos et dessins et ce, seulement dans la mesure où les spécifications d'entrées de l'ensemble de mise à niveau à DEL n'excède pas les spécifications d'entrée du Luminaires dans lequel il sera installé.
- Afin de prévenir tout dommage ou abrasion aux fils électriques, évitez que ceux-ci ne viennent en contact avec les bordures métalliques ou d'autres objets pointus.
- Seules les ouvertures indiquées sur les photos et dessins peuvent être faites ou modifiées lors de l'installation de l'ensemble de mise à niveau à DEL. Ne laissez aucune ouverture dans le boîtier ou le compartiment où se trouvent les composants électriques.
- Ce produit doit être installé selon les codes en vigueur par une personne familière avec la construction et l'utilisation de ce produit et au fait des risques associés.
- Pour emplacements secs seulement.

⚠ ATTENTION

RISQUE DE BLESSURE

- L'ensemble de mise à niveau à DEL peut tomber s'il n'est pas installé correctement. Suivre les instructions d'installation.
- Cet appareil n'est pas conçu pour utilisation avec sortie de secours.



Save These Instructions

These instructions do not purport to cover all details or variations in components nor to provide for every possible contingency to be met in connection with installation, operation or maintenance. Should further information be desired or should particular problem arise which are not covered sufficiently for the purchaser's purpose, the matter should be referred to General Electric Company. GE Lighting does not claim liability for any installation not performed according to this guide or not by a qualified electrician.

Components Supplied

The components have been properly packed to avoid damage during transit. Inspect the components to confirm there is no physical damage. Do not install damaged components.

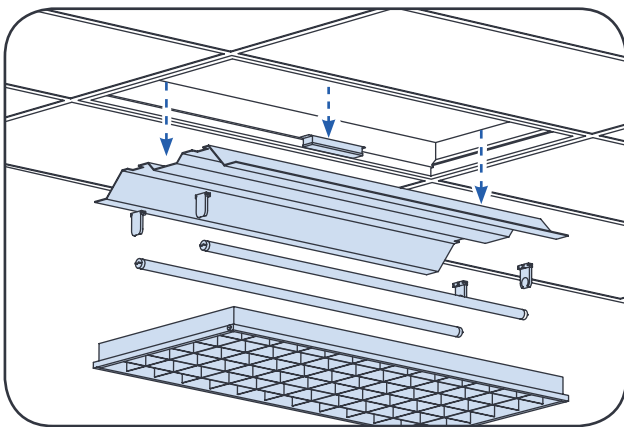
- Assembled Door Frame (1)
- #8x1/2" Self-Drilling Screw (5)
- LED Panel Bracket(2)

For Your Safety

Read and observe all CAUTIONS and WARNINGS shown throughout these instructions.

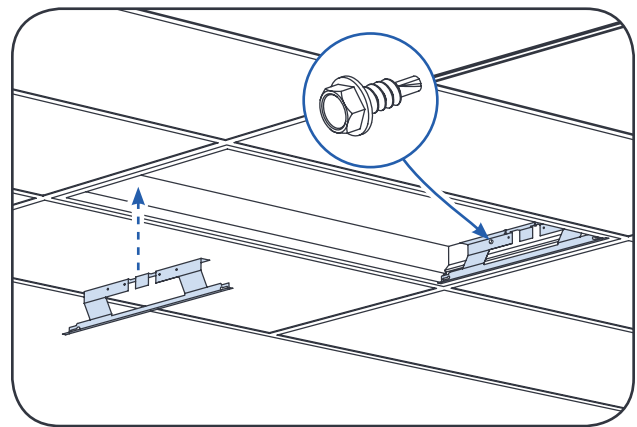
- Use this product only in the manner intended by the manufacturer. If there are any questions or concerns, contact the manufacturer.
- Suitable for "Type IC" or "Type non-IC" luminaires.

Installation

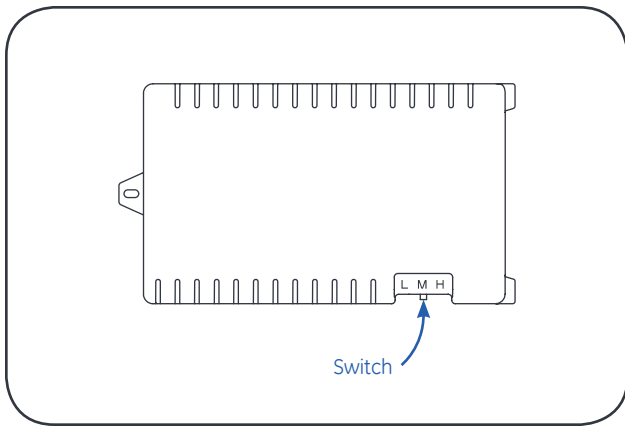


- 1** Prior to installation, disconnect all incoming power to fixture. Remove existing hardware (lens/lens frame, parabolic louver, reflectors/ballast covers, brackets, lamps/lamp holders). Leave supply and grounding leads.

NOTE: Follow all federal and local regulations when disposing of lamps and removed components.

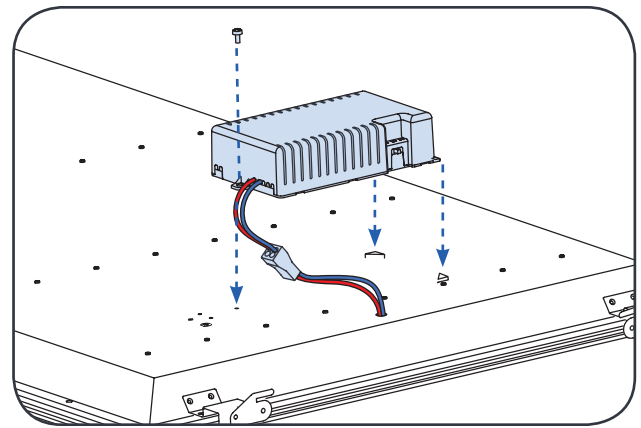


- 2** Install LED panel brackets to each end of the fixture by gently lifting recessed fixture and placing LED panel brackets between the fixture and T-grid. Secure the LED panel brackets to the fixture using the provided #8x1/2" self-drilling screws. There are two hole sets to allow for clearing fixture features that may obstruct the screws.

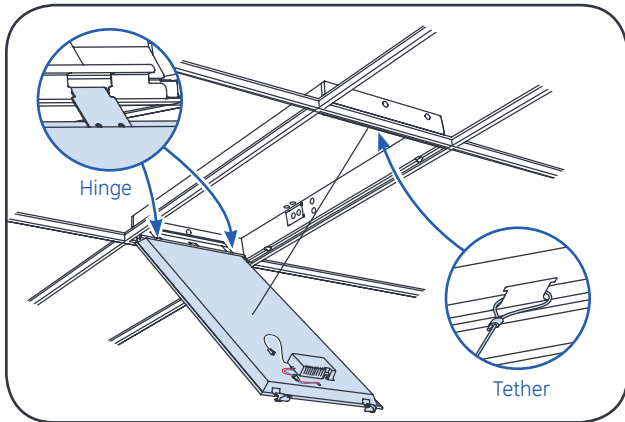


3 Pull out the fixture with driver box from package. Set switch position according to the lumen requirement.

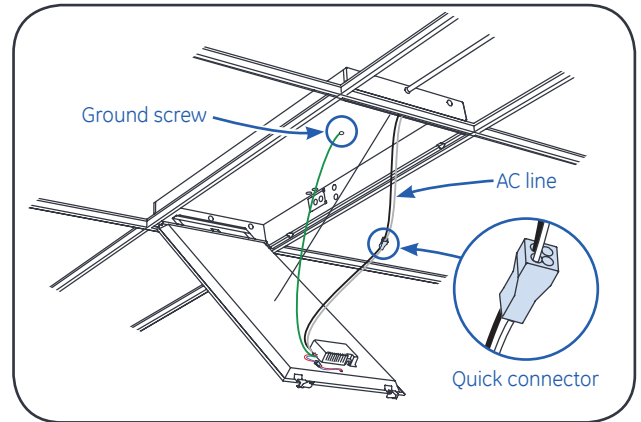
	L	M	H
2BY2:	2200lm	3500lm	4200lm
2BY4:	3150lm	4150lm	4950lm



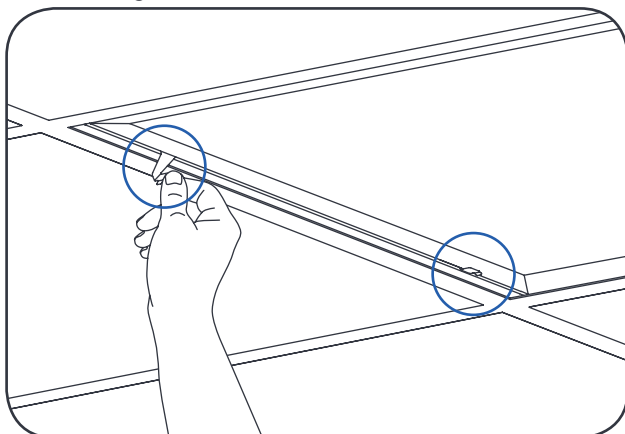
4 Insert the driver box tabs into the corner embosses on the housing. Secure with the screw that is attached to the driver box. Connect the quick connector with red and blue wires from driver box to the light engine.



5 Attach the fixture to the LED panel bracket with the hinges. Hang the other end of the tether to the installed bracket. Pull the tether lasso tight.



6 Connect the LED driver to AC line using provided quick connector. Install grounding wire using provided #8x1/2" self-drilling screw.

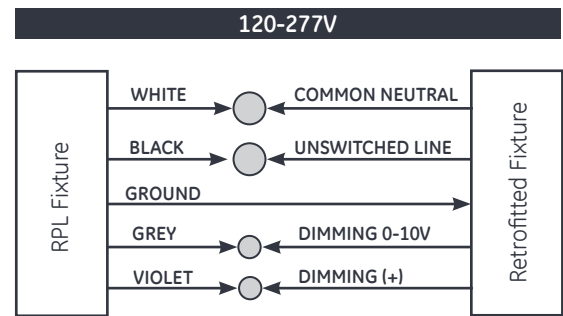


7 Secure fixture by locking latch found on the end of the fixture. Make sure wires and tether are on the back of the fixture.

Electrical Connections

Using the provided quick-connect, connect the black (line) of the AC line to the black 120-277V wire and the white (neutral) wires of the AC line to the white or red wires.

Optional: If using a 0-10V dimming controller, connect matching-colored wires together with UL listed connector.



Maintenance/Lamp Replacement

Contact qualified electrician for maintenance service. Order any replacement parts individually with the exact same model number. For any questions or concerns contact the manufacturer.

This device complies with Part 15 of the FCC Rules. Operation is subject to the following two conditions: (1) This device may not cause harmful interference, and (2) this device must accept any interference received, including interference that may cause undesired operation. CAN ICES-005(A)/NMB-005(A)

Note: This equipment has been tested and found to comply with the limits for a Class A digital device, pursuant to part 15 of the FCC Rules. These limits are designed to provide reasonable protection against harmful interference when the equipment is operated in a commercial environment. This equipment generates, uses, and can radiate radio frequency energy and, if not installed and used in accordance with the instruction manual, may cause harmful interference to radio communications. Operation of this equipment in a residential area is likely to cause harmful interference in which case the user will be required to correct the interference at his own expense.

current
powered by GE

All trademarks are the property of their respective owners. Information provided is subject to change without notice. All values are design or typical values when measured under laboratory conditions. Current, powered by GE is a business of the General Electric Company.
© 2018 GE.

