

Lumination™ LED Track Light

LTC Series Lens Replacement



BEFORE YOU BEGIN

Read these instructions completely and carefully.

IMPORTANT SAFETY INSTRUCTIONS

When installing or using this track system, basic safety precautions should always be followed, including the following:

- a. Read all instructions
- b. Do not install this track in damp or wet locations.
- c. Do not cut any track sections.
- d. Do not install any part of a track system less than 5 feet above the floor.
- e. Do not install any luminaire assembly closer than 6 inches from any curtain, or similar combustible material.
- f. Disconnect electrical power before adding to or changing the configuration of the track.
- g. Do not attempt to energize anything other than lighting track luminaires on the track. To reduce the risk of fire and electric shock, do not attempt to connect power tools, extension cords, appliances, and the like to the track.
- h. Do not connect a track to more than one branch circuit unless the track is constructed so that it can be used with more than one branch circuit. Check with a qualified electrician. Although the track lighting system may seem to operate acceptably, a dangerous overload of the neutral may occur and result in a risk of fire.

SAVE THESE INSTRUCTIONS For future reference when adding fixtures or changing the track configuration.

FOR USE WITH CEILING MOUNTED TRACK ONLY.

READ TRACK MANUFACTURER'S INSTALLATION INSTRUCTIONS FOR GUIDELINES ON TRACK INSTALLATION.

WARNING

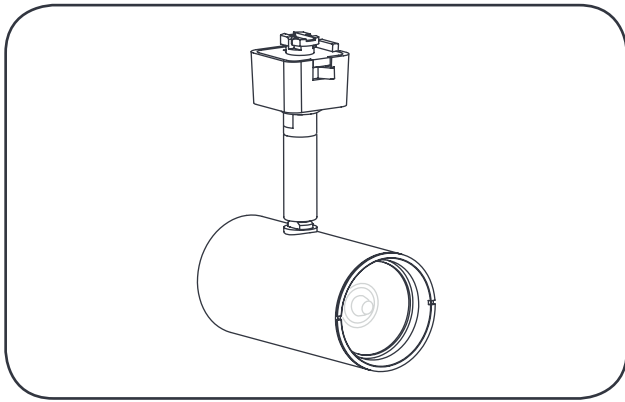
RISK OF ELECTRIC SHOCK

Turn power off before inspection, installation or removal.

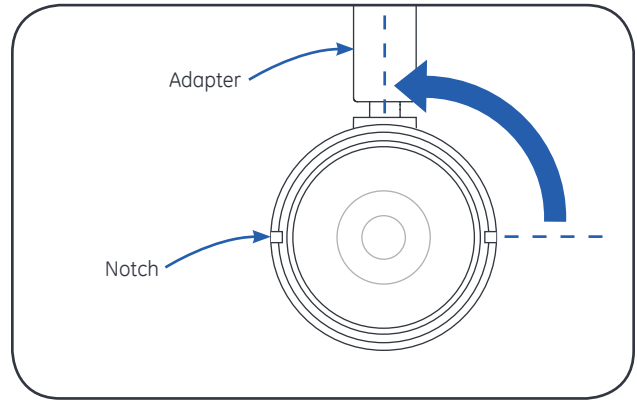
PRODUCT DESCRIPTION	MATERIAL DESCRIPTION	SKU	DISTRIBUTION
LTC 06/10 SPOT LENS BLACK	AK-LTC-GEN1-LE-XX-X0-BLCK-SP-10	93096137	SPOT
LTC 06/10 FLOOD LENS BLACK	AK-LTC-GEN1-LE-XX-X0-BLCK-FL-10	93096138	FLOOD
LTC 06/10 WIDE LENS BLACK	AK-LTC-GEN1-LE-XX-X0-BLCK-WF-10	93096139	WIDE FLOOD
LTC 06/10 SPOT LENS WHITE	AK-LTC-GEN1-LE-XX-X0-WHTE-SP-10	93096140	SPOT
LTC 06/10 FLOOD LENS WHITE	AK-LTC-GEN1-LE-XX-X0-WHTE-FL-10	93096141	FLOOD
LTC 06/10 WIDE LENS WHITE	AK-LTC-GEN1-LE-XX-X0-WHTE-WF-10	93096142	WIDE FLOOD
LTC 08/11 NARROW LENS BLACK	AK-LTC-GEN2-LE-XX-X0-BLCK-NF-10	93096143	NARROW FLOOD
LTC 08/11 FLOOD LENS BLACK	AK-LTC-GEN2-LE-XX-X0-BLCK-FL-10	93096144	FLOOD
LTC 08/11 WIDE LENS BLACK	AK-LTC-GEN2-LE-XX-X0-BLCK-WF-10	93096145	WIDE FLOOD
LTC 08/11 NARROW LENS WHITE	AK-LTC-GEN2-LE-XX-X0-WHTE-NF-10	93096146	NARROW FLOOD
LTC 08/11 FLOOD LENS WHITE	AK-LTC-GEN2-LE-XX-X0-WHTE-FL-10	93096147	FLOOD
LTC 08/11 WIDE LENS WHITE	AK-LTC-GEN2-LE-XX-X0-WHTE-WF-10	93096148	WIDE FLOOD
LTC 06/10 TESTER	AK-LTC-GEN1-LE-XX-X0-XXXX-TESTER	93096149	MISC
LTC 08/11 TESTER	AK-LTC-GEN2-LE-XX-X0-XXXX-TESTER	93096150	MISC



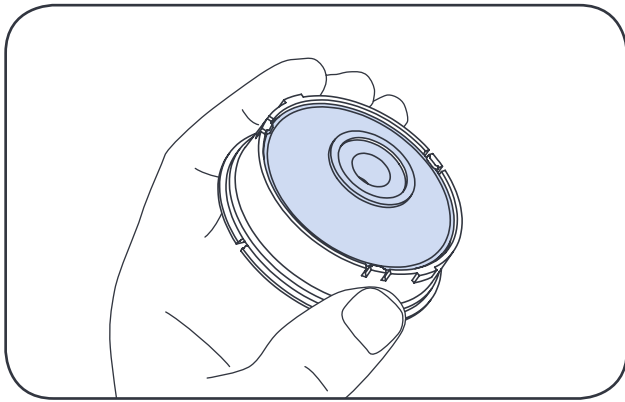
Installation of Replacement Lens on the LTC Series Track Light



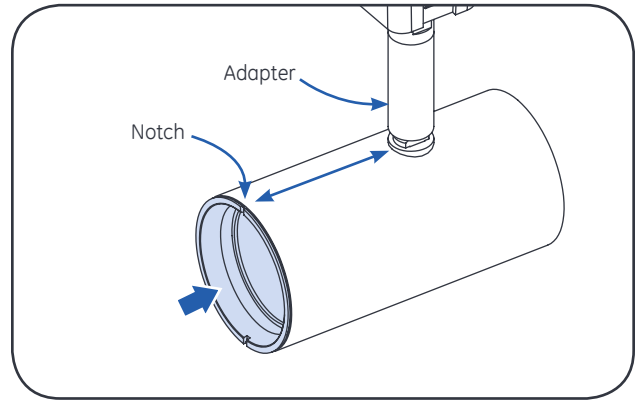
1 Begin with fixture turned off from the track.



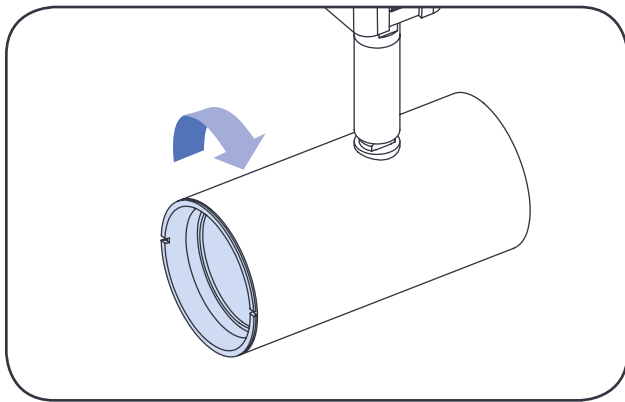
2 Remove old lens: Rotate the cap 90 degrees counter-clockwise until the notches fully align with the adapter and pull out.



3 Inspect field changeable lens to ensure no dust particles are trapped inside.



4 Install the new lens: Align notch with the adapter.



5 Rotate lens 90 degrees clockwise to lock it in place.

current
powered by GE

All trademarks are the property of their respective owners. Information provided is subject to change without notice. All values are design or typical values when measured under laboratory conditions. Current, powered by GE is a business of the General Electric Company.
© 2018 GE.

