

# Lumination™ LED Luminaires

LED Lumination Pendant Suspended  
LPS Series



Shown with MoonGlow™  
Acrylic refractor

Project name \_\_\_\_\_

Date \_\_\_\_\_

Type \_\_\_\_\_

## Product Description:

GE's Lumination LED Pendant Suspended Series is designed to deliver efficient lighting for commercial and retail applications. These exceptionally energy proficient lighting fixtures have a long life and deliver a remarkable qualified lumens per watt allowing for lower maintenance and operating costs. Choose from several lumen, CRI, and CCT options in addition to refractor and lens accessories. The LPS Series is easy to install - great for commercial, retail, grocery, and gymnasium applications.

## Product Dimensions:

## Performance Summary:

**Delivered Lumen Output:** 9000 -17500 lumens

**Input Voltage:** 347V

**System input Power:** 80 -138 watts

**Efficacy:** Up to 126 LPW

**CRI:** 70, 80 CRI

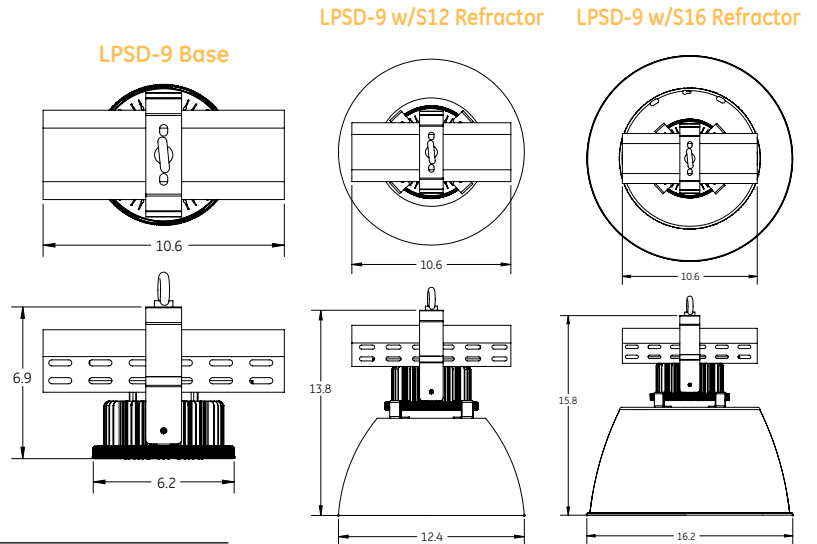
**CCT:** 3000K/4000K/5000K/5700K

**Projected L70:** > 50,000 Life Hours

**Limited Warranty:** 5 Years

**IP Rating:** IP65

**Wet Rated:** Yes

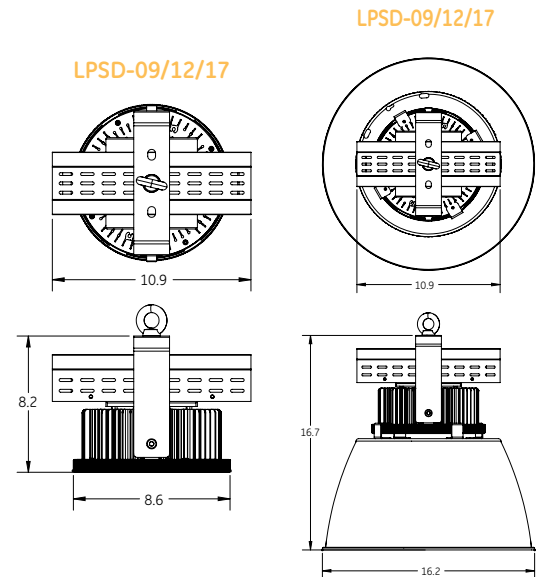


Certified by:

Please refer to the DLC QPL website for the latest and most complete information.  
[www.designlights.org/QPL](http://www.designlights.org/QPL)

## Ordering Information:

LPS	D	9C	N	RI	SLVR			
FAMILY	VOLTAGE	NOMINAL LUMENS	DISTRIBUTION	CRI	CRI	CONTROLS	MOUNTING	FINISH
LPS = Lumination Pendant Suspended	D = 347V	09 = 9000 lumens 12 = 12500 lumens 17 = 17500 lumens	9C = 90° Lens	7 = 70 CRI 8 = 80 CRI	30 = 3000K 40 = 4000K 50 = 5000K 57 = 5700K	N = None	RI = Ring, 6' cord included, S, JTW 18-AWG-3	SLVR = Silver



OPTICAL ACCESSORIES - FIELD INSTALLABLE	
93083041, S12	= 12" Shallow MoonGlow™ Acrylic refractor, 9000 lumens only
93083040, S16	= 16" Shallow MoonGlow™ Acrylic refractor, 9000 lumens only
93083039, S16	= 16" Highbay MoonGlow™ Acrylic refractor
93083043, L12	= 12" Conical drop lens, 9000 lm, Must order with S12
93083042, L16	= 16" Conical drop lens, Must order with S16

TYPICAL INITIAL LUMENS 5000K, 70 CRI	TYPICAL SYSTEM POWER (W) @ 347V	LPW
09 = 9000 lumens	80	113
12 = 12500 lumens	100	125
17 = 17500 lumens	138	126

- Lumen claims include refractor accessory.
- Lumen Multiplier = 0.97 for Conical drop lens (L12 or L16 option)
- Lumen Multiplier = 0.9 for 80 CRI

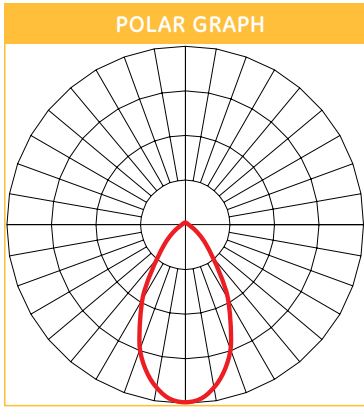
- Notes:** Lead time 14 weeks from receipt of order.
- Expedited lead times available - contact factory for pricing.
  - Minimum order quantity 200 pcs

**current**  
powered by GE

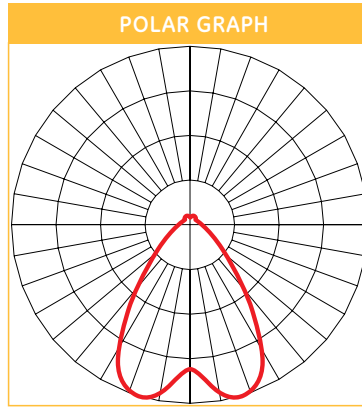


# Photometric Data: Lumination™ LPS Series

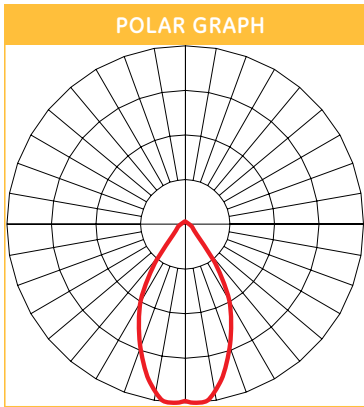
---



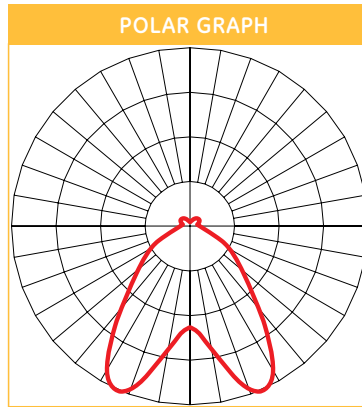
LPS-D-09-6C-x-N-RI-SLVR  
with and without 12" Refractor S12  
Spacing Criteria 0.9



LPS-D-09-6C-x-N-RI-SLVR  
with Refractor & Conical Drop Lens, L12  
Spacing Criteria 1.3



LPS-D-xx-6C-x-N-RI-SLVR  
with 16" Refractor S16  
Spacing Criteria 0.9



LPS-D-xx-6C-x-N-RI-SLVR  
with Refractor & Conical Drop Lens, L16  
Spacing Criteria 1.6

# Typical Specification: Lumination™ LPS Series

## LED & Optical Assembly

**CRI:** 70 CRI & 80 CRI  
**IES TM-21 Calculation at 25C:**  
 Projected L70: > 50,000 Life Hours

## Electrical

**Input Voltage:** 347V  
**Input Frequency:** 50/60Hz  
**System Power Factor (PF):** >0.9\*  
**Total Harmonic Distortion (THD):** <20%\*  
**LED Driver Type:** Isolated  
 \* PF and THD may vary with options

## Ratings & Evaluations

**Operating Temperature:** -20°C to +50°C  
**Storage Temperature:** -40°C to +70°C  
**Surge Protection:** ANSI C82.77 Compliant  
**Location:** Wet  
**Safety:** UL/cUL Listed (UL/cUL)  
**Environmental:** RoHS compliant  
**Utility:** DLC™ Qualified Product Listed

## Construction & Finish

**Housing:** Aluminum and Plastic Housing,  
 Die cast aluminum heatsink  
**Lensing:** Polycarbonate Lens  
**Paint:** White, Gray, or Black Painted Housing  
 available  
**Weight:**  
 LPSD09 = 8.1lbs (3.7kg)  
 LPSD12 = 11.5lbs (5.2kg)  
 LPSD17 = 11.5lbs (5.2kg)

## Mounting

**Ring**

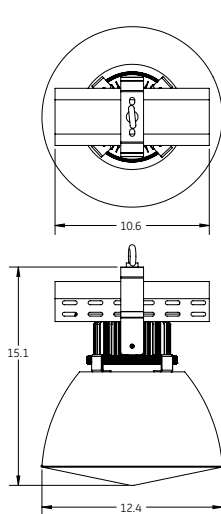
## Design Life & Warranty

**System Warranty:** 5 Year limited warranty  
**Luminaire Design Lifetime:** > 50,000 hrs  
**Driver Design Lifetime:** > 50,000 hrs

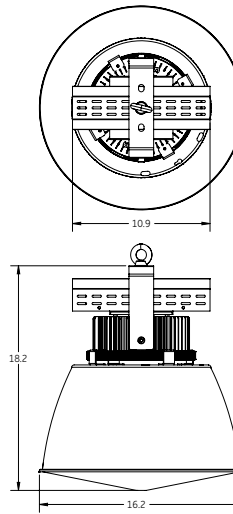
For more information and access to all of our resources, including our design tool visit: [www.products.currentbyge.com](http://www.products.currentbyge.com)

## Additional Product Dimensions:

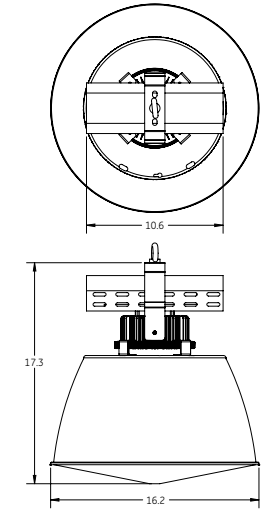
LPSD-09 w/S12 Refractor and 12" conical drop lens (L12)



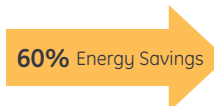


LPSD-09 w/S16 Refractor and 16" conical drop lens (L16)



LPSD-12/17 w/S16 Refractor and 16" conical drop lens (L16)



## GE Lumination™ LPS Series Conversion Chart Based on initial lumens

Traditional Lamp	GE Lumination™ LPS Series @ 347V
<b>High Bay</b> 175W HID 200W Input	 9000 Lumens 80W Lifetime Savings \$600
<b>High Bay</b> 250W HID 290W Input	 12500 Lumens 100W Lifetime Savings \$950
<b>High Bay</b> 400W HID 460W Input	 17500 Lumens 138W Lifetime Savings \$1,610



All trademarks are the property of their respective owners. Information provided is subject to change without notice. All values are design or typical values when measured under laboratory conditions. Current, powered by GE is a business of the General Electric Company.  
 © 2018 GE.

