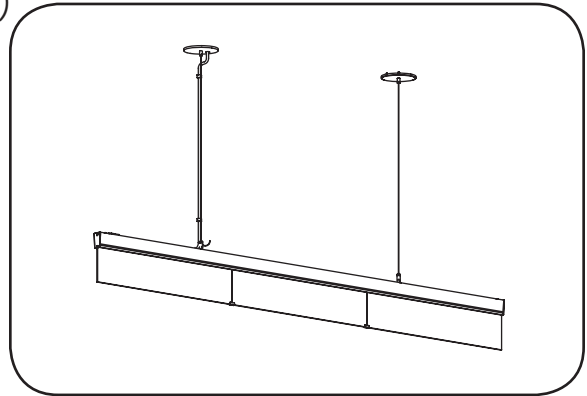


Lumination™ Linear Suspended LED Luminaire



(LEL Series – Cable Suspension Remote Driver)



BEFORE YOU BEGIN

Read these instructions completely and carefully.

⚠ WARNING/AVERTISSEMENT

RISK OF ELECTRIC SHOCK

- Turn power off before inspection, installation or removal.
- Properly ground electrical enclosure.

RISK OF FIRE

- Follow all NEC and local codes.
- Use only UL approved wire for input/output connections. Minimum size 18 AWG.
- Maximum ambient operating temperature: 35°C

RISQUES DE DÉCHARGES ÉLECTRIQUES

- Coupez l'alimentation avant d'inspecter, installer ou déplacer le luminaire.
- Assurez-vous de correctement mettre à la terre le boîtier d'alimentation électrique.

RISQUES D'INCENDIE

- Respectez tous les codes NEC et codes locaux.
- N'utilisez que des fils approuvés par UL pour les entrées/sorties de connexion. Taille minimum 18 AWG.
- Température ambiante maximale de fonctionnement: 35°C

Save These Instructions

Use only in the manner intended by the manufacturer. If you have any questions, contact the manufacturer.

Important

Wear work gloves to prevent dirt and oil from being transferred to the luminaire.

⚠ CAUTION

RISK OF DAMAGE:

- Luminaire may fall down if not installed properly
- Remove protective film on Light Guide only after installation
- Do not touch Light Guide to avoid dirt, oil and fingerprints

Tools and Components Required

- #2 Phillips head screwdriver
- UL Recognized conduit connections per NEC/CEC for nominal conduit trade sizes 1/2" or 3/4"
- UL Recognized wire connectors

Prepare Electrical Wiring



Electrical Requirements

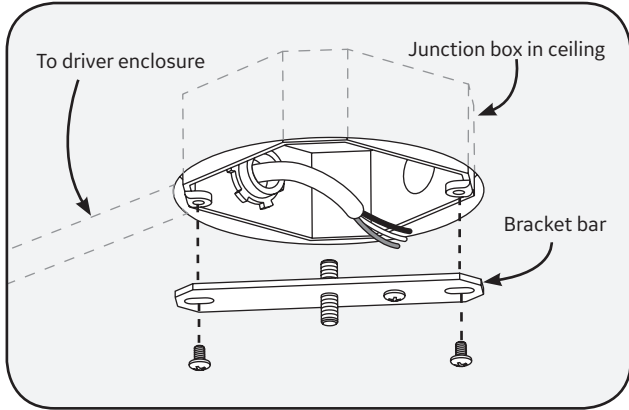
- The LED luminaire must be connected to the mains supply according to its rating on the product label.
- Connected to an individual properly grounded branch circuit, protected by a 15 or 20 ampere circuit breaker. Use min. 75°C supply conductor.



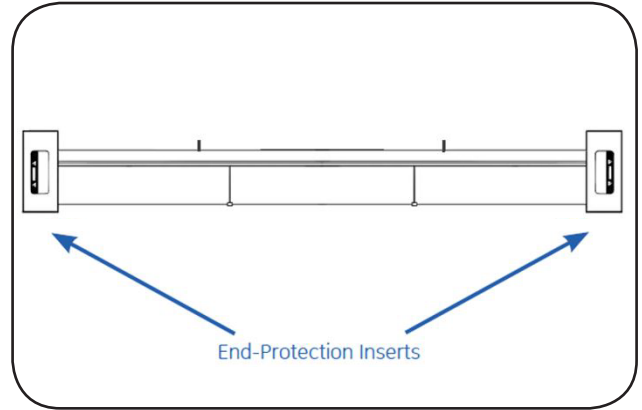
Grounding Instructions

- The grounding and bonding of the overall system shall be done in accordance with National Electric Code (NEC) Article 600 and local codes.

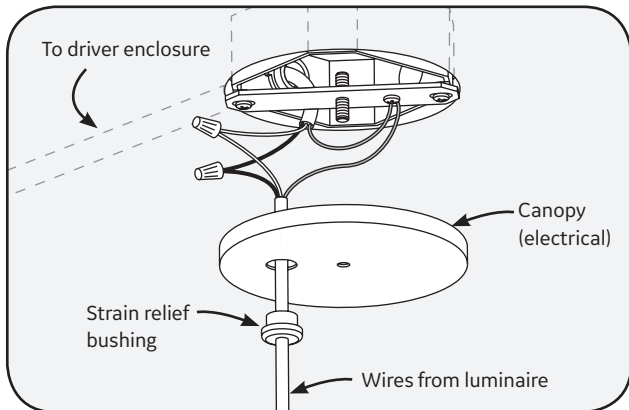
Luminaire Installation



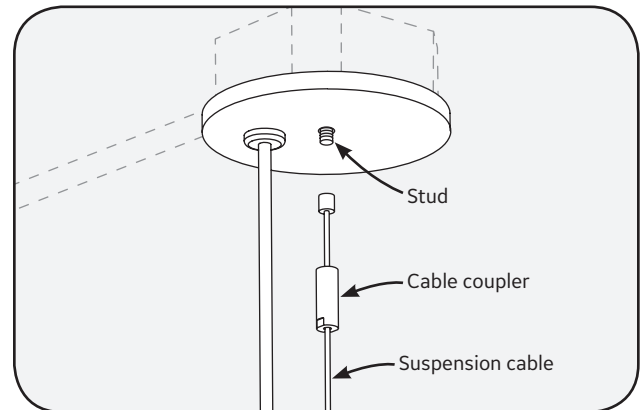
1 Take the accessory from the package. Attach bracket bar to junction box in ceiling with two 8-32 (M4) screws. Repeat on other side.



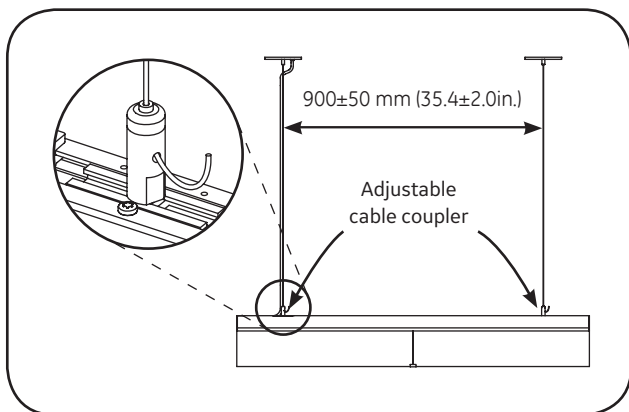
2 Unpack unit from packaging. Properly inspect for defects before installing. **Make sure the luminaire is only carried out by holding two ends of Light engine.** Do not touch the Light Guide when removing. Make sure the end-protection inserts in place with the fixture. Do not remove until fixture is installed.



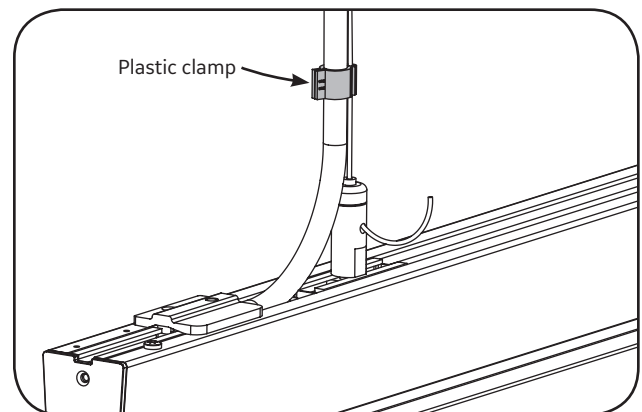
3 Connect the black (neutral) and red (line) wires from the luminaire to the blue (neutral) and red (line), respectively, from the driver enclosure. Connect both green wires to the grounding screw.



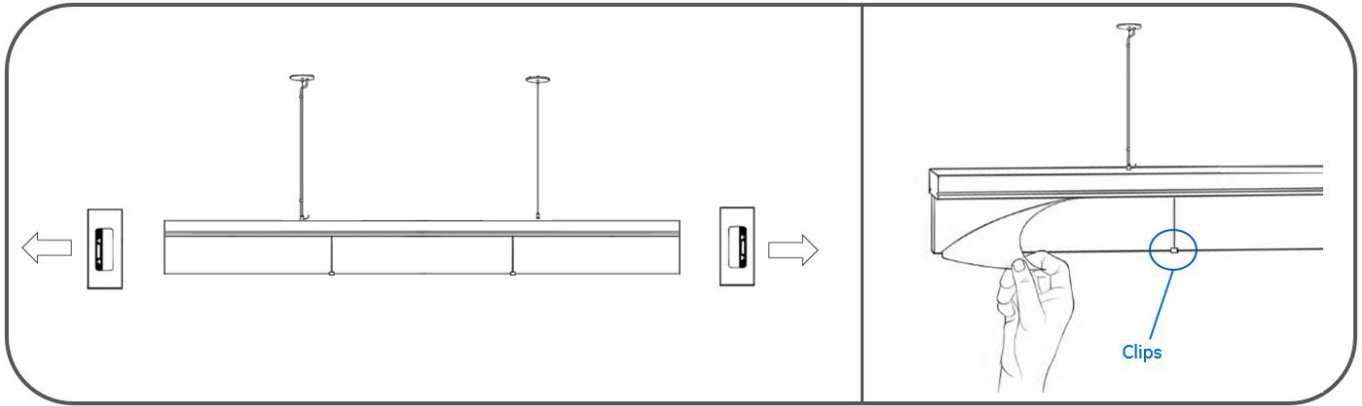
4 Fit canopy over stud of bracket bar, then screw the cable coupler onto stud.



5 Connect adjustable cable coupler with light engine stud. If want to adjust the height and to level a fixture, squeeze the tip of the gripper and pull the suspension cable to the desired height.

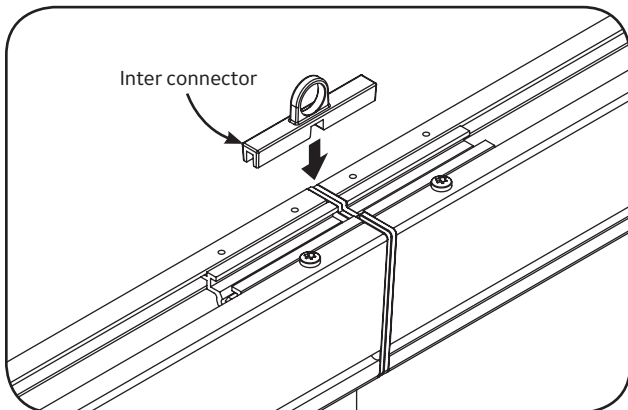


6 Clip the cable and the wire with plastic clamp.

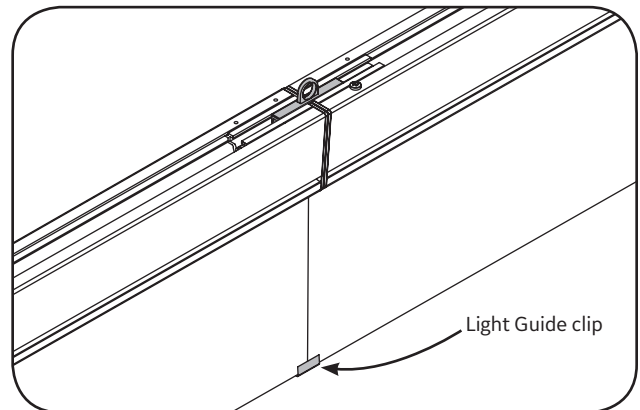


- 7 Remove the end-protection and protective film carefully. Check that clips are still in the correct positions. If the clips fall down, please push them back to their correct positions.

Luminaire Inter Connection and Alignment



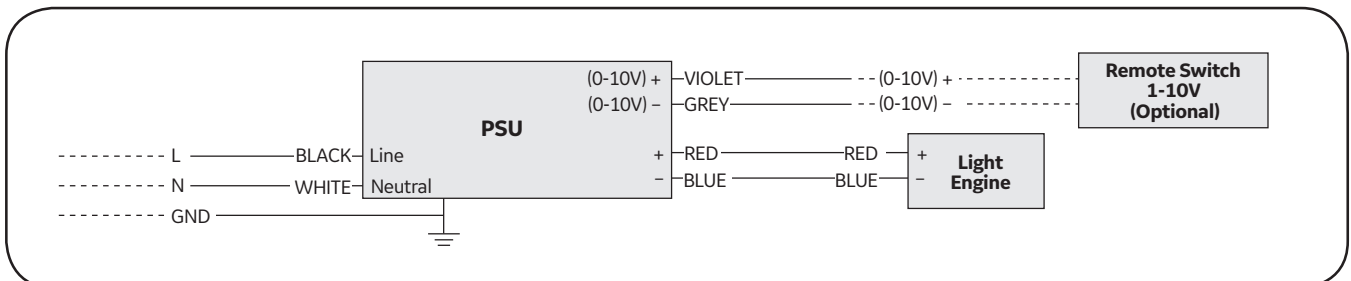
- 1 Put inter connector on the top of two luminaires and make sure that the slot of the inter connector cross the two end caps.



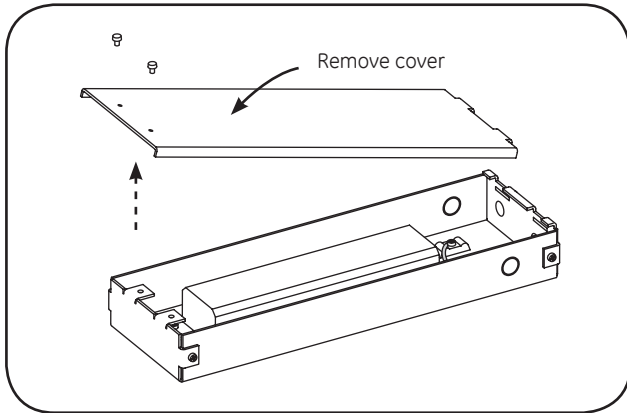
- 2 Push the inter connector into the luminaires. Remove the protective film and insert the Light Guide clip between the two Light Guides.

Wire Diagram for GE Driver

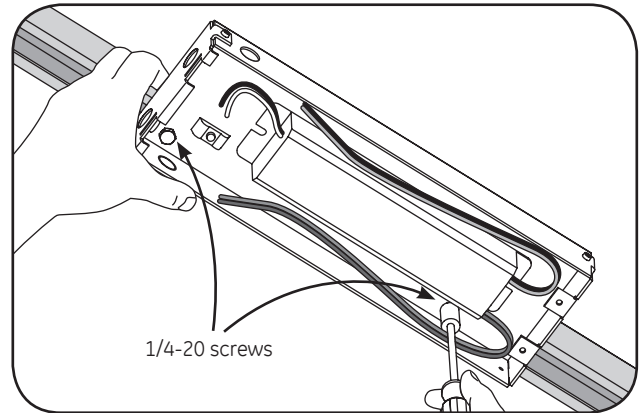
Dimming Type: 1-10V



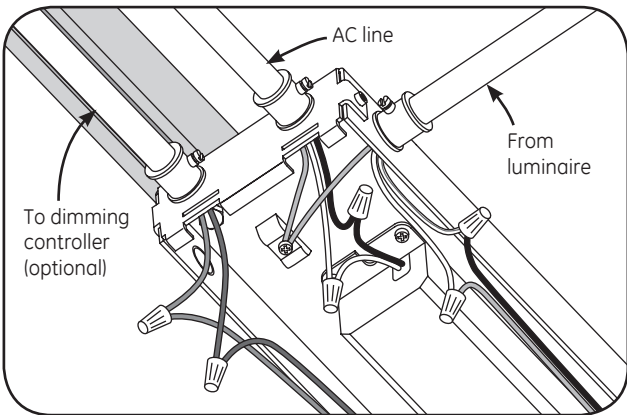
Electrical Connections



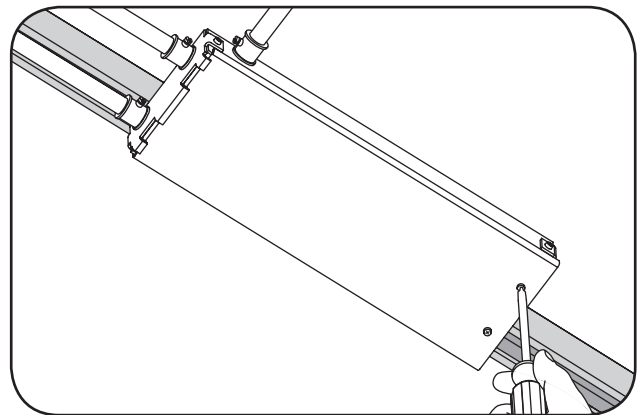
- 1** Remove driver enclosure cover. Carefully remove knockout for AC line input wires.



- 2** Install driver enclosure to a suitable structural member using two 1/4-20 screws.



- 3** First connect the black (line) and white (neutral) wires of the AC line to the black and white wires of the power supply using 18-24AWG (0.82-2.08mm²) twist-on wire connectors. Next connect the luminaire wires to the blue and red wires of the power supply. Connect the green wires to the ground screw.



- 4** Replace electrical enclosure cover. Enclosure cover is on top for installation.

Risk of Damage: Make sure that supply connection, light fixture wiring, and dimming cables are connected to proper driver inputs. Wrong connection may cause damage to the product. Must use UL approved conduit fittings for all enclosure box connections to prevent wire cuts by sharp edges and excessive strain on wiring.

Optional: If using a dimming controller, connect matching-colored wires together.

This device complies with Part 15 of the FCC Rules. Operation is subject to the following two conditions: (1) This device may not cause harmful interference, and (2) this device must accept any interference received, including interference that may cause undesired operation. CAN ICES-005 (A) / NMB-005 (A)

Note: This equipment has been tested and found to comply with the limits for a Class A digital device, pursuant to part 15 of the FCC Rules. These limits are designed to provide reasonable protection against harmful interference when the equipment is operated in a commercial environment. This equipment generates, uses, and can radiate radio frequency energy and, if not installed and used in accordance with the instruction manual, may cause harmful interference to radio communications. Operation of this equipment in a residential area is likely to cause harmful interference in which case the user will be required to correct the interference at his own expense.

current www.led.com
powered by GE

GE and the GE Monogram are trademarks of the General Electric Company and are used under license. Information provided is subject to change without notice. All values are design or typical values when measured under laboratory conditions, and GE makes no warranty or guarantee, express or implied, that such performance will be obtained under end-use conditions. © 2019 Current, powered by GE

IND476 (Rev 08/2019) Enovia Code - A-1018422