

Lumination™ LED Luminaires

Retrofit Commercial Downlight
LED LRC Series



Project name _____
Date _____
Type _____

Product Description:

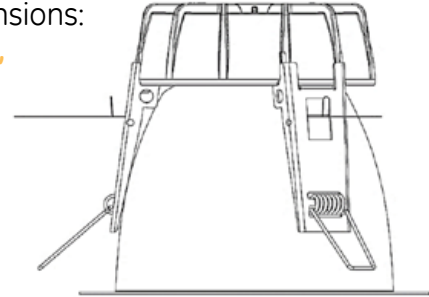
Convert any commercial or industrial downlight to LED with the new Lumination LRC Series retrofit LED downlight. The LRC series delivers exceptional efficacy across all lumen packages for maximum energy savings and quick paybacks. Custom engineered, spec-grade optical system provide an exceptional aesthetic with 45° cutoff and no glare. Tool-free installation from below the ceiling in just minutes. 50,000 hour life virtually eliminates maintenance costs. With output up to 8000 lumens it's ideal for high-ceiling applications.

Performance Summary:

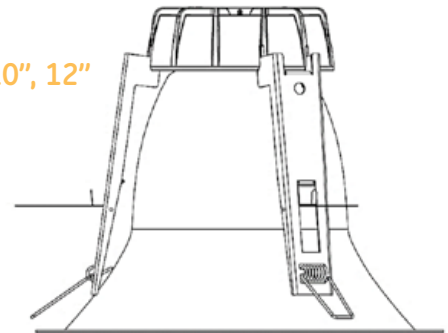
Light Output Range: 1000-8000 lumens
CRI: 83 CRI, 90 CRI, reveal™ 90, TriGain™ 90
CCT: 2700K, 3000K, 3500K, 4000K, 5000K, Sunset Dimming
Input Voltage: 120-277V, 120V, 277V & 347V
Wattage Range: 10-90 watts
Rated Lumen Depreciation: L85 @ 50,000 hrs.
Limited Warranty: 5 Years
System Efficacy: 100-117 LPW

Product Dimensions:

LRC 6"



LRC 8", 10", 12"



*See page 3 for detailed dimensional drawings

- Listings:
- Type IC available 12 (annotation)
 - Damp rated standard
 - Wet rated options



Ordering Information:

FAMILY	FIXTURE TYPE	GENERATION	VOLTAGE	LUMEN	BEAM SPREAD	REFLECTOR FINISH	REFLECTOR COLOR	FLANGE COLOR	CRI	CCT	DRIVER & CONTROLS	OPTION
LRC = Lumination LRC Retrofit Commercial Downlight	6R = 6" Round 8R = 8" Round 10R = 10" Round 12R = 12" Round	B = 2nd Generation	0 = 120 - 277V (available for 1000 & 1500lm only) 1 = 120V 4 = 277V D = 347V	10 = 1000 lumens 15 = 1500 lumens 20 = 2000 lumens 25 ¹ = 2500 lumens 30 = 3000 lumens 40 = 4000 lumens 50 = 5000 lumens 60 = 6000 lumens 80 = 8000 lumens	NR = Narrow (36 degree) WD = Wide (56 degree) WW ² = Wall Wash	SD = Semi-Diffused PT ^{3,9} = Painted (white reflector color and white flange color only)	CL = Clear (no color) WT ⁹ = White Point	MR = Match Reflector WT = White Point WT ⁹ = White Point	8 = 83 CRI T ⁸ = TriGain™ 90 CRI (1000, 1500 2000lm only) R ¹⁰ = reveal™ 90 CRI (1000, 1500 2000lm only)	27 = 2700K 30 = 3000K 35 = 3500K 40 = 4000K 50 ⁵ = 5000K 27 = 2700K 30 = 3000K	VQ = 0-10V Dimming PQ ⁷ = Phase Dimming LQ ⁸ = LDE1 Lutron TQ ¹¹ = Wireless ZigBee Daintree™ Enabled (no sensor)	(blank) = None WR ^{9,15} = Safe Wet Rated EL ¹³ = Emergency Battery Backup SPL ¹⁴ = Sample with 6ft cord and wall plug

Ordering Notes:

1. 2500 lm only available with 3wire L3DA lutron driver
2. Wall wash not available in 12" Reflector or painted reflector finish
3. All-white painted reflectors order PT reflector finish and WT flange color (i.e. PTWTWT)
4. TriGain available only in 1000, 1500, 2000lm options & 3500K and 4000K CCT
5. 5000K available up to 4000lm and in 83 CRI
6. Sunset dimming available in 1000, 2000lm options and 90 CRI
7. Phase dimming only available with 120V and up to 4000lm
8. Lutron available only up to 4000 lumens. 1000, 1500, 2000, 3000 and 4000lm options provided with 2 wire LDE1 lutron driver. 2500lm option provided with 3 wire L3DA lutron driver.
9. Safe wet rated available up to 4000lm. Available only with Wide beam spread. Safe for shower locations and other wet rated needs. WR not available for White Painted Reflectors.
10. Reveal available in 1000, 1500 and 2000lm options & 2700K and 3000CCT.
11. Daintree adds 1.4W to system wattage. Daintree available up to 5000lm options.
12. Type IC only available at 1000 and 1500 lumens and with 0-10V, Lutron or Daintree Drivers/Controls
13. EL not available with 347V and only compatible with 0-10V dimming. Not available with SPL option and sunset dimming.
14. SPL only available with 120V. Provided with a powercord and wall plug for sales and marketing purposes. SPL option is not UL listed.
15. WR not available for White Painted Reflectors.

current
powered by GE



Nominal Lumen Tables: Lumination™ LRC Series

Standard 83 CRI Performance Table

NOMINAL LUMENS	1000	1500	2000	2500	3000	4000	5000	6000	8000
Fixture Lumens	1160	1576	2100	2535	3275	4260	5095	6100	8000
System Input Power (W)	10	13.5	19	25	32.4	42.2	48.1	58.1	78
System Efficacy (LPW)	116	116	110	101	101	101	106	105	102

Configuration Notes:

1. Table based on 4000K CCT using semi-diffused finish with 120V Input
2. For painted white reflector [PTWTWT], multiply lumen output by an additional .75 factor

Standard 83 CRI Scaling Table

CCT	SCALING FACTOR 1000 TO 4000LM	SCALING FACTOR 5000 TO 8000LM
2700K	.83	.94
3000K	.87	.99
3500K	.99	.99
4000K	1.00	1.00
5000K	1.03	Not Offered



Performance Table

NOMINAL LUMENS	1000	1500	2000
Fixture Delivered Lumens	1022	1504	2015
System Input Power (W)	9.9	14.3	19.6
System Efficacy (LPW)	103	105	102
CRI	90		
R9	70		

TriGain™ Scaling Table

CCT	SCALING FACTOR
3500K	1
4000K	1

Configuration Notes:

1. Table based on 3500K/4000K CCT using semi-diffused finish with 120V Input
2. For painted white reflector (PTWTWT) or wet rated reflector [WR], multiply lumen output by an additional .75 factor

reveal™ Performance Table

NOMINAL LUMENS	1000	1500	2000
Fixture Delivered Lumens	1015	1550	2044
System Input Power (W)	13.5	23.9	32.4
System Efficacy (LPW)	75	65	63
CRI	90		
R9	70		

reveal™ Scaling Table

CCT	SCALING FACTOR
2700K	.95
3000K	1

Configuration Notes:

1. Table based on 3000K CCT using semi-diffused finish with 120V Input
2. For painted white reflector (PTWTWT) or wet rated reflector [WR], multiply lumen output by an additional .75 factor

Phase Dimming Performance Table

NOMINAL LUMENS	1000	1500	2000	3000	4000
Fixture Delivered Lumens	1100	1500	2025	3310	4200
System Input Power (W)	15	18.4	21	36.8	46
System Efficacy (LPW)	73.3	81.5	96.4	89.9	91.3

Configuration Notes:

1. Table based on 4000K CCT using semi-diffused finish with 120V Input
2. For painted white reflector (PTWTWT) or wet rated reflector [WR], multiply lumen output by an additional .75 factor

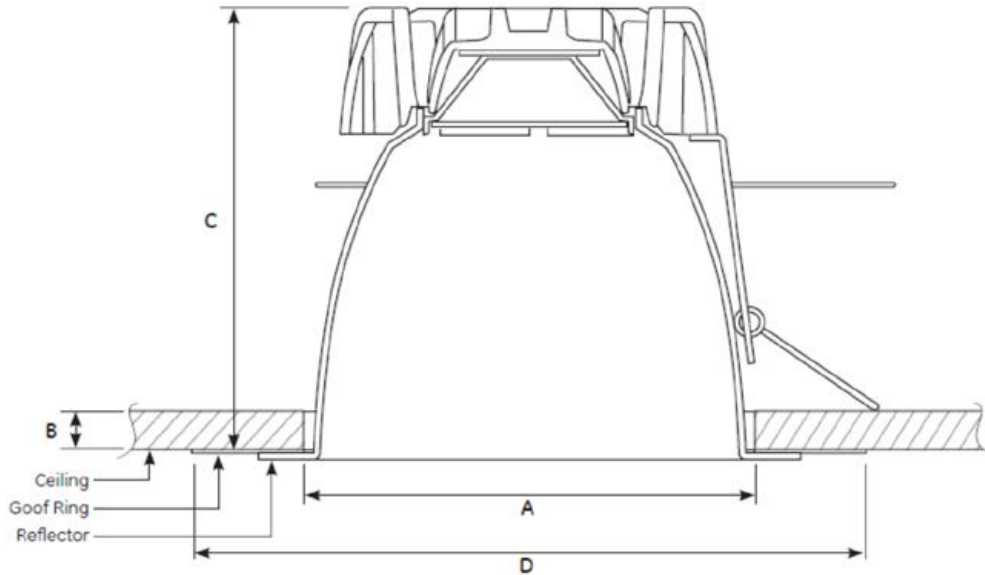
Sunset Dimming Performance Table

NOMINAL LUMENS	1000	2000
Fixture Delivered Lumens	1150	2425
System Input Power (W)	16	34
System Efficacy (LPW)	72	71.5

Configuration Notes:

1. Table based on Sunset Dimming 2700K at full brightness to 2100K at 10% dimmed using semi-diffused finish with 120V Input
2. For painted white reflector (PTWTWT) or wet rated reflector [WR], multiply lumen output by an additional .75 factor

Product Dimensions: Lumination™ LRC Series



DIMENSIONS		DIMENSION DESCRIPTION	RC6	RC8	RC10	RC12
A		Applicable Hole Diameter (1000lm, 1500lm, 2000lm, 2500, 3000lm, 4000lm, 5000lm, 600lm)	6.4 - 7.2	7.5 - 8.9	9.4 - 10.8	11.75 - 13.5
A		Applicable Hole Diameter (8000lm)	6.6 - 7.2	7.5 - 8.9	9.4 - 10.8	11.75 - 13.5
B		Applicable Ceiling Thickness	0.5 - 1.3	0.5 - 1.3	0.5 - 1.3	0.5 - 1.3
C		Height from Bottom of Ceiling (1000lm, 1500lm, 2000lm, 2500lm, 3000lm)	5.9	7.3	8.7	9.7
C		Height from Bottom of Ceiling (4000lm, 5000lm, 6000lm)	6.65	8.1	9.35	10.45
C		Height from Bottom of Ceiling (8000lm)	9.9	11.3	12.7	13.7
D		Max Applicable Hole Diameter of Ring	8.5	10.2	12.1	NA

Note: Dimensions shown in inches

Accessories: LRC Series

PRODUCT DESCRIPTION	MATERIAL DESCRIPTION	MATERIAL
HANGER BAR, C-CHANNEL - 25 1/4" (QUANTITY 2)	BH3	94890
6" ROUND GOOF RING, SEMI-DIFFUSED, CLEAR	GRRC6RSDCL	93018828
6" ROUND GOOF RING, PAINTED, WHITE	GRRC6RPTWT	93018829
8" ROUND GOOF RING, SEMI-DIFFUSED, CLEAR	GRRC8RSDCL	93018830
8" ROUND GOOF RING, PAINTED, WHITE	GRRC8RPTWT	93018831
10" ROUND GOOF RING, SEMI-DIFFUSED, CLEAR	GRRC10RSDCL	93018833
10" ROUND GOOF RING, PAINTED, WHITE	GRRC10RPTWT	93018834
12" ROUND GOOF RING, SEMI-DIFFUSED, CLEAR	GRRC12RSDCL	93066721
12" ROUND GOOF RING, PAINTED, WHITE	GRRC12RPTWT	93066722
12" ROUND ADAPTER RING, SEMI-DIFFUSED, CLEAR	A12RC10RSDPA	93030117
12" ROUND ADAPTER RING, PAINTED, WHITE	A12RC10RPTWT	93030118
6" ROUND NEW CONSTRUCTION FRAME KIT*	FRAME6R	93025091
8" ROUND NEW CONSTRUCTION FRAME KIT	FRAME8R	93025092
ENLIGHTED SENSOR KIT	LCACBAVQNUNGALV	93029451
DAINTREE SENSOR KIT	LCACBAVTQUNGALV	93057194

Note: *Not compatible with 8000lm



12" Round Adapter Ring,
Semi Diffused, Clear: 93030117

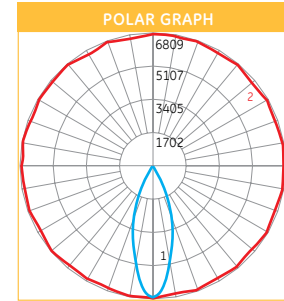


8" Round New Construction
Frame Kit: 93025092

Photometric Data: Lumination™ LRC Series

Narrow Beam – LRCXRBX30NRSDXXX835XX

COEFFICIENTS OF UTILIZATION																			
RC	80%				70%				50%				30%			10%			0%
RW	70%	50%	30%	10%	70%	50%	30%	10%	50%	30%	10%	50%	30%	10%	50%	30%	10%	0%	
0	119	119	119	119	116	116	116	116	111	111	111	106	106	106	102	102	102	100	
1	114	112	110	108	112	110	108	106	106	104	103	102	101	99	98	97	97	95	
2	110	105	102	99	107	104	100	98	100	98	96	97	95	94	95	93	92	90	
3	105	100	95	92	103	98	94	91	96	92	90	93	91	88	91	89	87	85	
4	101	94	90	86	99	93	89	86	91	87	85	89	86	84	87	85	83	81	
5	97	90	85	81	95	89	84	81	87	83	80	85	82	79	84	81	79	77	
6	93	85	80	77	92	85	80	76	83	79	76	82	78	75	81	77	75	74	
7	89	81	76	73	88	81	76	73	80	75	72	78	75	72	77	74	71	70	
8	86	78	73	69	85	77	72	69	76	72	69	75	71	69	74	71	68	67	
9	83	74	69	66	82	74	69	66	73	69	66	72	68	65	71	68	65	64	
10	80	71	66	63	79	71	66	63	70	66	63	69	66	63	69	65	63	61	



Effective Floor Cavity Reflectance 0.20

ZONAL LUMEN SUMMARY			
Zone	Lumens	% of Lamp	% of Fixture
0-20°	1760.39	N.A.	56.40
0-30°	2743.47	N.A.	97.90
0-40°	3047.65	N.A.	97.70
0-60°	3105.84	N.A.	99.60
0-80°	3111.01	N.A.	99.70
0-90°	3111.36	N.A.	99.70

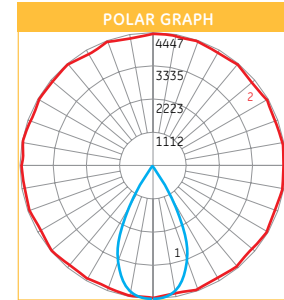
LUMINANCE DATA (CD/SQ.M)			
Angle in Degrees	0°	45°	90°
45°	1285	1247	1200
55°	413	404	391
65°	167	167	155
75°	61	61	61
85°	61	61	61

ZONAL LUMEN SUMMARY	
Zone	Lumens
0-10	588.00
10-20	1172.38
20-30	983.08
30-40	304.18
40-50	45.51
50-60	12.68

Total Luminaire Efficiency = N.A.%

Wide Beam – LRCXRBX30WSDSDXXX835XX

COEFFICIENTS OF UTILIZATION																			
RC	80%				70%				50%				30%			10%			0%
RW	70%	50%	30%	10%	70%	50%	30%	10%	50%	30%	10%	50%	30%	10%	50%	30%	10%	0%	
0	119	119	119	119	116	116	116	116	111	111	111	106	106	106	102	102	102	100	
1	114	111	109	107	111	109	107	105	105	103	102	101	100	99	98	97	96	94	
2	109	104	101	98	107	103	99	96	99	97	94	96	94	92	94	92	90	89	
3	104	98	94	90	102	97	93	89	94	91	88	92	89	86	89	87	85	83	
4	99	92	87	83	98	91	87	83	89	85	82	87	84	81	85	82	80	79	
5	95	87	82	78	93	86	81	78	85	80	77	83	79	76	81	78	76	74	
6	91	83	77	73	89	82	77	73	80	76	72	79	75	72	78	74	71	70	
7	87	78	73	69	85	78	72	69	76	72	68	75	71	68	74	70	68	66	
8	83	74	69	65	82	74	68	65	73	68	65	72	67	64	71	67	64	63	
9	79	71	65	62	78	70	65	61	69	65	61	68	64	61	68	64	61	60	
10	76	67	62	58	75	67	62	58	66	61	58	65	61	58	65	61	58	57	



Effective Floor Cavity Reflectance 0.20

ZONAL LUMEN SUMMARY			
Zone	Lumens	% of Lamp	% of Fixture
0-20°	1483.73	N.A.	47.60
0-30°	2588.49	N.A.	83.00
0-40°	3017.70	N.A.	96.70
0-60°	3103.79	N.A.	99.50
0-80°	3110.83	N.A.	99.70
0-90°	3111.26	N.A.	99.70

LUMINANCE DATA (CD/SQ.M)			
Angle in Degrees	0°	45°	90°
45°	2267	2082	1770
55°	622	604	518
65°	247	234	205
75°	123	102	102
85°	61	61	61

ZONAL LUMEN SUMMARY	
Zone	Lumens
0-10	413.89
10-20	1069.84
20-30	1104.76
30-40	429.21
40-50	69.08
50-60	17.02

Total Luminaire Efficiency = N.A.%

Note: Photometric distributions in the LRC series are the same for 6", 8", 10", and 12"

Typical Specification: Lumination™ LRC Series



LED & Optical Assembly

CRI: 83 CRI, 90 CRI, reveal™ 90, TriGain™ 90
R9: Standard > 0, reveal™ 83, TriGain™ 96
Color Consistency: 4-Step MacAdam Ellipse
Rated Lumen Depreciation: L85 @ 50,000 hrs
Distribution/Options: Wide, Narrow, Wall Wash
Sunset Dimming: SD Option is 2700K at full brightness and warms to 2100K gradually as it dims to 10% of lumen output mimicking the feel of an incandescent lamp – CRI-CCT option “9SD”

Electrical

Input Voltage: 120-277V, 120V, 277V or 347V
Input Frequency: 50/60Hz
System Power Factor (PF): >0.9*
Total Harmonic Distortion (THD): <20%*
LED Driver Type: Class 2
** PF and THD may vary with options*

Ratings & Evaluations

Operating Temperature: -20°C to +30°C*
Storage Temperature: -40°C to +70°C
Surge Protection: ANSI C82.77 Complaint
Location: Dry, Damp, Wet Rated**
Safety: UL/cUL Listed [Non-IC] /6 
Environmental: RoHS compliant

Construction & Finish

Housing: Galvanized steel junction box with multiple knockouts
Heatsink: Custom engineered to provide superior passive cooling performance
Lensing: Polycarbonate diffused, acrylic clear
Reflector: Safe wet rated lenses include tempered glass designed not to break during moderate turbulence. Perfect for shower/bathroom applications (up to 4000lm)
Paint: Powder coat painted reflector options
Weight: 5.0 lbs. (2.3kg)



Controls

Standard Dimming: 0-10VDC [ANSI C137.x] compliant
Minimum Dimming: Standard 0-10V dims down to 10%
Lutron EcoSystem®: Hi-lume driver provides smooth, continuous dimming down to 1%. Built on the EcoSystem® platform, this LED driver has guaranteed compatibility with EcoSystem® digital controls. – Controls option “LU”. Lumen packages 1000, 1500, 2000, 3000 and 4000 provided with LDE1 Fade to Black Lutron driver for an incandescent-like experience. Come with 2 dimming leads. Lumen package 2500 provided a L3D Lutron driver. It comes with standard 3-wire, line-voltage phase-control technology for consistent dimming performance and compatibility with all Lutron 3-wire fluorescent controls. with standard 3-wire.
Wireless Networking & Sensing: ZigBee Wireless Daintree with No Sensor – Controls option “TQ”

Mounting

Typical Mounting: Spring assembly with trigger quick release installation to frame. Junction box rests securely on most existing downlight frames. Hanger bars (BH3 - 94890) for T-grid
Ceiling: Compatible with thickness up to 1.5”
Wiring Access: ½” trade-size KOs on a removable access plate provided

Reflector Options

Standard Reflectors: Polished aluminum with a variety of color & finish options including clear alzak, painted trims, and full painted reflectors
Safe Wet Rated: Lensed reflectors certified by UL for Wet Rating location. Lensed glass is secured by internal flange to seal interior from contaminants and water

Design Life & Warranty

Reliability Testing: Components and systems evaluation at extreme conditions and monitored during production. Thermal protection feature enables prevention of overheating. All components are designed to exceed 85,000 hours of rated life.
System Warranty: 5 Year
Optional Emergency Battery: Provides 90-minutes of Emergency lighting. 120-277V and only compatible with 0-10V dimming driver.

current
powered by GE

All trademarks are the property of their respective owners. Information provided is subject to change without notice. All values are design or typical values when measured under laboratory conditions. Current, powered by GE is a business of the General Electric Company.
© 2018 GE.

