

# Lumination™ LED Luminaires

## New Construction Downlight LDX Square Series



Project name \_\_\_\_\_

Date \_\_\_\_\_

Type \_\_\_\_\_

### Product Description:

Lumination™ LDX Series LED downlights are powered by LED downlight modules. LDX downlights offer a wide range of options that create the ideal ambiance for any application.

### Performance Summary:

**Light Output Range:** 1000-8000 lumens

**CRI:** Standard 82 CRI, TriGain™ 90

**CCT:** 3000K, 3500K, 4000K & 5000K

**Input Voltage:** 120V, 277V, 347V

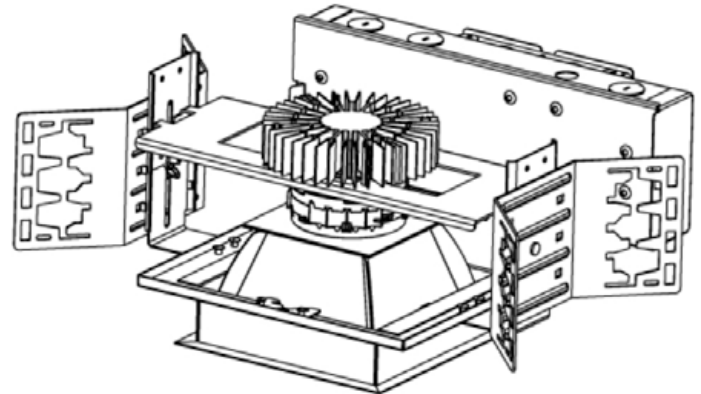
**Rated Lumen Depreciation:** L85 @ 50,000 hours

**Limited Warranty:** 5 years

**System Efficacy:** Up to 103 LPW

**Rating:** Damp Standard/Wet Option

### Product Dimensions:



\*See page 4 for detailed dimensional drawings



### Ordering Information:

A complete fixture consists of a **Configured Housing + Reflector + Hanger Bars**

#### 1. Configured Housing

LDX		S		---		---		---	
FAMILY	FIXTURE TYPE	GENERATION	VOLTAGE	NOMINAL LUMENS	CRI	CCT	CONTROLS	OPTIONS	
LDX = Lumination LDX New Construction Downlight	4S = 4" Square 6S = 6" Square	A = 1 <sup>st</sup> Generation W = Wall Wash	1 = 120V 4 = 277V D = 347V	10 = 1000 lm 15 = 1500 lm 20 = 2000 lm 30 = 3000 lm 40 = 4000 lm 50 = 5000 lm 60 = 6000 lm 80 = 8000 lm *80 not available in 347V or with CP option	8 = 82 CRI Standard T = TriGain™ (1000, 1500, 2000lm in 3500K and 4000K only)	35 = 3500K 40 = 4000K 50 = 5000K	VQ = 0-10V Dimming PQ = Phase Dimming (120V forward phase dimming up to 4000lm only) TS = Wireless ZigBee Daintree™ Enabled (no sensor)	(blank) = None EL = Emergency Battery Backup	

#### 2. Reflector

R		DI		S		---		---	
REFLECTOR	HOUSING TYPE	BEAM SPREAD	REFLECTOR FINISH	REFLECTOR COLOR	FLANGE COLOR	OPTIONS			
R = Reflector	DI4S <sup>1</sup> = 4" Square DI6S = 6" Square	M = Medium W = Wide WW = Wall Wash	SD = Semi-Diffused DF = Diffused SP = Specular PT = Painted (white reflector color only)	(blank) = None WT <sup>2</sup> = White Paint WE <sup>3</sup> = Wheat PW <sup>3</sup> = Pewter GO <sup>3</sup> = Gold BL <sup>4</sup> = Black	MR = Match Reflector WT = White Paint XT <sup>5</sup> = Trimless	(blank) = None			

\*See page 3 for additional reflector information

#### Reflector Ordering Notes:

- DI4S only available in W and WW beam spread
- White painted reflectors only available in PT reflector finish and WT or XT flange finish
- Wheat, pewter, and gold anodized reflector colors only available in SD reflector finish. Contact factory representative for quote.
- Black anodized reflectors only available in DF flange finish. Contact factory representative for quote.
- Trimless only available in the following combinations: RD14SWSDXT, RD14SWPTWTXT, RD14SWDFBLXT, RD16SWSDXT, RD16SWPTWTXT, RD16SWDFBLXT

#### 3. Hanger Bars – BH3 (Ordered Separately)

MATERIAL	MATERIAL DESCRIPTION	PRODUCT DESCRIPTION
93110306	BH3 - 2 required per fixture	HANGER BAR, C-CHANNEL - 25 1/4" (BOXED PAIR)

**current**  
powered by GE



# Nominal Lumen Tables: Lumination™ LDX Series

Standard 82 CRI Performance Table

NOMINAL LUMENS	1000	1500	2000	3000	4000	5000	6000	8000
Fixture Delivered Lumens	1147	1600	2117	3300	4298	5150	6200	8200
System Input Power (W)	12.4	16.5	20.5	34.2	47.6	51.0	62.4	84.9
System Efficacy (LPW)	92.5	97	103	96	90	101	99	96.6

**Configuration Notes:**

1. Table based on 4000K CCT using semi-diffused finish with 120V Input

Standard 82 CRI Scaling Table

CCT	SCALING FACTOR
2700K	.91
3000K	.96
3500K	.99
4000K	1.00
5000K	1.03



Performance Table

NOMINAL LUMENS	1000	1500	2000
Fixture Delivered Lumens	1019	1520	2030
System Input Power (W)	12.4	17.2	20.9
System Efficacy (LPW)	82.2	88.4	97
CRI	90		
R9	96		

**Configuration Notes:**

1. Table based on 3500K/4000K CCT using semi-diffused finish with 120V Input

TriGain™ Scaling Table

CCT	SCALING FACTOR
3500K	1
4000K	1

# Accessories: Lumination™ LDX Series

## Hanger Bars

MATERIAL	MATERIAL DESCRIPTION	PRODUCT DESCRIPTION
93110306	BH3 - 2 required per fixture	HANGER BAR, C-CHANNEL - 25 1/4" (BOXED PAIR)

## Stocked Reflector Options

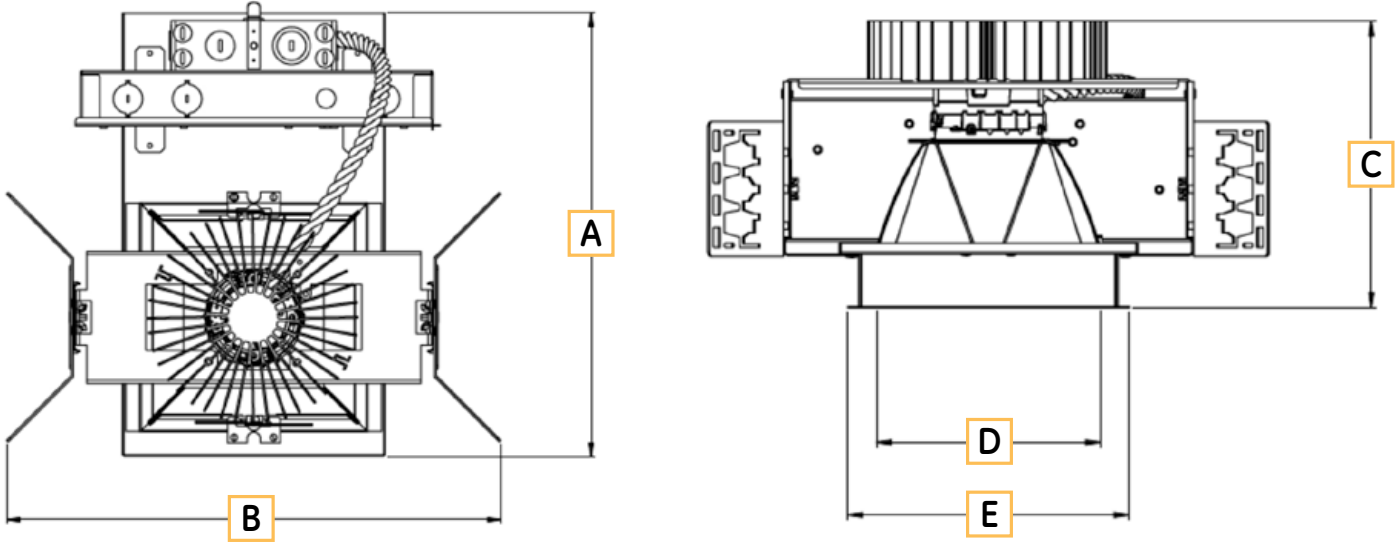


MATERIAL	MATERIAL DESCRIPTION	PRODUCT DESCRIPTION
93986	RDI4SWSDMR	4" SQUARE REFLECTOR, WIDE, SEMI-DIFFUSED, CLEAR REFLECTOR AND TRIM
93987	RDI4SWSDWT	4" SQUARE REFLECTOR, WIDE, SEMI-DIFFUSED, CLEAR REFLECTOR, WHITE TRIM
93992	RDI6MSDMMR	6" SQUARE REFLECTOR, MEDIUM, SEMI-DIFFUSED, CLEAR REFLECTOR AND TRIM
93993	RDI6MSDWT	6" SQUARE REFLECTOR, MEDIUM, SEMI-DIFFUSED, CLEAR REFLECTOR, WHITE TRIM
93994	RDI6SWSDMR	6" SQUARE REFLECTOR, WIDE, SEMI-DIFFUSED, CLEAR REFLECTOR AND TRIM
93995	RDI6SWSDWT	6" SQUARE REFLECTOR, WIDE, SEMI-DIFFUSED, CLEAR REFLECTOR, WHITE TRIM

## Trimless Reflector Options

MATERIAL	MATERIAL DESCRIPTION	PRODUCT DESCRIPTION
93055786	RDI4SWSDXT	4" SQUARE REFLECTOR, WIDE, SEMI-DIFFUSED, CLEAR REFLECTOR, FLANGELESS
93068236	RDI4SWPTWTXT	4" SQUARE REFLECTOR, WIDE, PAINTED, WHITE REFLECTOR, FLANGELESS
93068242	RDI4SWDFBLXT	4" SQUARE REFLECTOR, WIDE, DIFFUSED, BLACK REFLECTOR, FLANGELESS
93067884	RDI6SWSDXT	6" SQUARE REFLECTOR, WIDE, SEMI-DIFFUSED, CLEAR REFLECTOR, FLANGELESS
93068238	RDI6SWPTWTXT	6" SQUARE REFLECTOR, WIDE, PAINTED, WHITE REFLECTOR, FLANGELESS
93068240	RDI6SWDFBLXT	6" SQUARE REFLECTOR, WIDE, DIFFUSED, BLACK REFLECTOR, FLANGELESS

# Product Dimensions: Lumination™ LDX Series



4" SQUARE LOW LUMEN LDX 1000, 1500, 2000 LM	4" SQUARE MEDIUM LUMEN LDX 3000, 4000 LM	4" SQUARE HIGH LUMEN LDX 5000, 6000, 8000 LM
A = 120V, 277V = 12.4" (315mm) 347V = 13.9" (352mm)	A = 120V, 277V = 12.4" (315mm) 347V = 13.9" (352mm)	A = 120V, 277V = 12.4" (315mm) 347V = 13.9" (352mm)
B = 14.8" (376mm)	B = 14.8" (376mm)	B = 14.8" (376mm)
C = 6" (151mm)	C = 6.6" (167mm)	C = 8.5" (217mm)
D = 4.6" (117mm)	D = 4.6" (117mm)	D = 4.6" (117mm)
E = 6" (154mm)	E = 6" (154mm)	E = 6" (154mm)

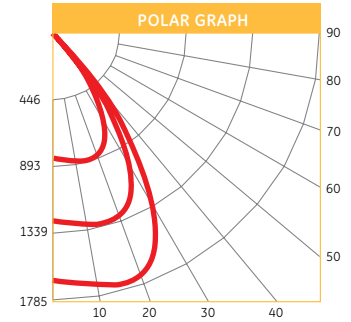
6" SQUARE LOW LUMEN LDX 1000, 1500, 2000 LM	6" SQUARE MEDIUM LUMEN LDX 3000, 4000 LM	6" SQUARE HIGH LUMEN LDX 5000, 6000, 8000 LM
A = 120V, 277V = 13.2" (336mm) 347V = 14.6" (372mm)	A = 120V, 277V = 13.2" (336mm) 347V = 14.6" (372mm)	A = 120V, 277V = 13.2" (336mm) 347V = 14.6" (372mm)
B = 14.8" (376mm)	B = 14.8" (376mm)	B = 14.8" (376mm)
C = 7" (177mm)	C = 7.6" (192mm)	C = 9.9" (251mm)
D = 6" (150mm)	D = 6" (150mm)	D = 6" (150mm)
E = 7.4" (188mm)	E = 7.4" (188mm)	E = 7.4" (188mm)

# Photometric Data: Lumination™ LDX Series

## LDX4S Wide Distribution

COEFFICIENTS OF UTILIZATION																					
RC	80%				70%				50%				30%				10%				0%
	RW	70%	50%	30%	10%	70%	50%	30%	10%	50%	30%	10%	50%	30%	10%	50%	30%	10%	0%		
0	119	119	119	119	116	116	116	116	111	111	111	106	106	106	102	102	102	102	100		
1	113	110	108	105	111	108	106	104	104	102	101	100	99	98	97	96	95	93			
2	107	102	98	95	105	101	97	94	94	97	94	92	94	92	90	92	90	88	86		
3	102	95	90	86	100	94	89	85	91	87	84	89	85	83	86	84	81	80			
4	96	89	83	79	95	87	82	78	85	81	77	83	79	76	81	78	75	74			
5	91	83	77	72	90	82	76	72	80	75	71	78	74	71	77	73	70	69			
6	87	77	71	67	85	77	71	67	75	70	66	74	69	66	72	68	65	64			
7	82	73	66	62	81	72	66	62	71	65	61	69	65	61	68	64	61	59			
8	78	68	62	58	77	67	62	58	66	61	57	65	61	57	64	60	57	55			
9	74	64	58	54	73	64	58	54	63	57	54	62	57	53	61	56	53	52			
10	70	60	54	50	69	60	54	50	59	54	50	58	53	50	58	53	50	49			

NOTE: Floor Cavity Reflectance: 20%



### Candlepower Summary

Angle	NOMINAL MODULE LUMENS		
	1000	1500	2000
0	853	1258	1705
5	863	1274	1726
10	875	1291	1750
15	869	1283	1738
20	822	1214	1644
25	699	1032	1398
30	497	734	994
35	281	415	562
40	137	202	274
45	59	88	119
50	20	30	40
55	9	16	22
60	6	9	12

### Cone of Light

Height	NOMINAL MODULE LUMENS				Dia. (ft.)
	1000	1500	2000		
6'	24	35	47	6.9	
8'	13	20	27	9.2	
10'	9	13	17	11.5	
12'	6	9	12	13.9	
14'	4	6	9	16.2	
16'	3	5	7	18.5	
18'	3	4	5	20.8	
20'	2	3	4	23.1	

### Zonal Lumen Summary

Zone	NOMINAL MODULE LUMENS			% of Fixture
	1000	1500	2000	
0-30°	663	978	1326	68.6
0-40°	881	1300	1762	91.1
0-60°	956	1412	1913	99
0-90°	967	1427	1934	100

### Application Reference (Open Space)

Spacing	NOMINAL MODULE LUMENS					
	1000		1500		2000	
	Avg. fc	W/ft²	Avg. fc	W/ft²	Avg. fc	W/ft²
4' x 4'	60.3	1.08	89.1	1.50	120.7	1.92
6' x 6'	28.1	0.50	41.6	0.70	56.3	0.90
8' x 8'	15.1	0.27	22.3	0.38	30.2	0.48
10' x 10'	10.1	0.18	14.8	0.25	20.1	0.32
10' ceiling. Open Space: 50' x 40' x 10'						

LLF: 1.0 Initial, 80/50/20 Reflectances, 2.5' workplane

### Application Reference (Corridor)

Spacing	NOMINAL MODULE LUMENS					
	1000		1500		2000	
	Avg. fc	W/ft²	Avg. fc	W/ft²	Avg. fc	W/ft²
4' on ctr.	26.0	0.75	38.3	1.04	51.9	1.33
6' on ctr.	17.7	0.51	26.1	0.71	35.3	0.91
8' on ctr.	12.5	0.36	18.4	0.50	24.9	0.64
10' on ctr.	10.4	0.30	15.3	0.42	20.8	0.53
10' ceiling. Corridor: 6'W x 100'L						

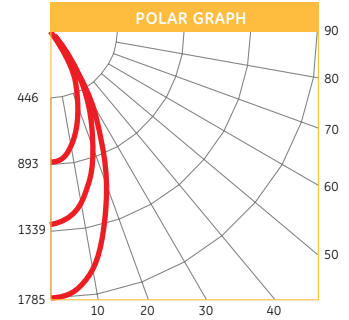
LLF: 1.0 Initial, 80/50/20 Reflectances, Light levels on the ground

# Photometric Data: Lumination™ LDX Series

## LDX6S Medium Distribution

COEFFICIENTS OF UTILIZATION																		
RC	80%				70%				50%			30%			10%			0%
	70%	50%	30%	10%	70%	50%	30%	10%	50%	30%	10%	50%	30%	10%	50%	30%	10%	0%
0	119	119	119	119	116	116	116	116	111	111	111	106	106	106	102	102	102	100
1	114	111	109	107	111	109	107	105	105	103	102	101	100	99	98	97	96	94
2	109	104	101	97	107	103	99	96	99	97	94	96	94	92	94	92	90	89
3	104	98	93	90	102	97	92	89	94	91	88	92	89	86	89	87	85	84
4	99	92	87	83	98	91	87	83	89	85	82	87	84	81	85	83	80	79
5	95	87	82	78	93	86	81	78	85	80	77	83	79	76	81	78	76	74
6	91	83	77	73	89	82	77	73	80	76	72	79	75	72	78	74	71	70
7	87	78	73	69	85	78	72	69	76	72	68	75	71	68	74	70	68	66
8	83	74	69	65	82	74	69	65	73	68	65	72	68	64	71	67	64	63
9	80	71	65	62	78	70	65	62	69	65	61	68	64	61	68	64	61	60
10	76	67	62	59	75	67	62	58	66	62	58	65	61	58	65	61	58	57

NOTE: Floor Cavity Reflectance: 20%

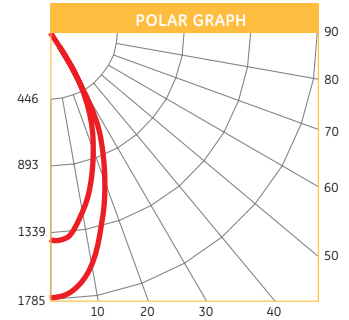


### Candlepower Summary

Angle	NOMINAL MODULE LUMENS				
	1000	1500	2000	3000	4000
0	1613	2380	3225	4838	6331
5	1577	2328	3154	4732	6192
10	1415	2089	2830	4245	5555
15	1200	1772	2400	3601	4712
20	975	1439	1950	2924	3827
25	759	1120	1518	2277	2980
30	422	623	845	1267	1658
35	163	241	327	490	641
40	49	72	98	147	192
45	11	17	23	34	45
50	5	8	11	16	21
55	3	5	7	10	13
60	3	4	5	8	10

### Zonal Lumen Summary

Zone	NOMINAL MODULE LUMENS					% of Fixture
	1000	1500	2000	3000	4000	
0-30°	785	1159	1571	2357	3084	81.3
0-40°	936	1381	1872	2808	3674	96.8
0-60°	961	1418	1922	2883	3772	99.4
0-90°	967	1427	1934	2901	3796	100



### Cone of Light

Height	NOMINAL MODULE LUMENS					Dia. (ft.)
	1000	1500	2000	3000	4000	
6'	45	66	90	134	176	5.2
8'	25	37	50	76	99	7.0
10'	16	24	32	48	63	8.7
12'	11	17	22	34	44	10.4
14'	8	12	16	25	32	12.2
16'	6	9	13	19	25	13.9
18'	5	7	10	15	20	15.7
20'	4	6	8	12	16	17.4

### Application Reference (Open Space)

Spacing	NOMINAL MODULE LUMENS									
	1000		1500		2000		3000		4000	
4' x 4'	61.5	1.08	90.7	1.50	122.9	1.92	160.9	2.58	210.6	3.36
6' x 6'	28.7	0.50	42.3	0.70	57.4	0.90	75.1	1.20	98.3	1.57
8' x 8'	15.4	0.27	22.7	0.38	30.7	0.48	40.2	0.65	52.6	0.84
10' x 10'	10.2	0.18	15.1	0.25	20.5	0.32	26.8	0.43	35.1	0.56
10' ceiling, Open Space: 50' x 40' x 10'					20' ceiling, Open Space 50' x 40' x 20'					

LLF: 1.0 Initial, 80/50/20 Reflectances, 2.5' workplane

### Application Reference (Corridor)

Spacing	NOMINAL MODULE LUMENS									
	1000		1500		2000		3000		4000	
4' on ctr.	28.7	0.75	42.4	1.04	57.4	1.33	59.2	1.79	77.5	2.33
6' on ctr.	19.5	0.51	28.8	0.71	39.1	0.91	40.3	1.22	52.7	1.59
8' on ctr.	13.8	0.36	20.3	0.50	27.6	0.64	28.4	0.86	37.2	1.12
10' on ctr.	11.5	0.30	17.0	0.42	23.0	0.53	23.7	0.72	31.0	0.93
10' ceiling, Corridor: 6'W x 100'L					20' ceiling, Corridor 6' W x 100'L					

LLF: 1.0 Initial, 80/50/20 Reflectances, Light levels on the ground

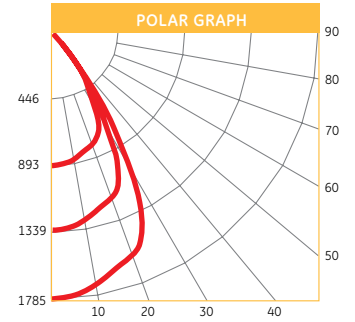
Spacing Criteria: DI6S - Medium = 0.74

# Photometric Data: Lumination™ LDX Series

## LDX6S Wide Distribution

RC	COEFFICIENTS OF UTILIZATION																				
	80%				70%				50%				30%				10%				0%
	70%	50%	30%	10%	70%	50%	30%	10%	50%	30%	10%	50%	30%	10%	50%	30%	10%	0%			
0	119	119	119	119	116	116	116	116	111	111	111	106	106	106	102	102	102	100			
1	113	110	108	106	111	108	106	104	104	102	101	101	99	98	97	96	95	93			
2	108	103	98	95	105	101	97	94	98	95	92	95	92	90	92	90	88	86			
3	102	95	90	86	100	94	89	86	91	87	84	89	86	83	87	84	82	80			
4	97	89	83	79	95	88	83	78	86	81	78	84	80	77	82	78	76	74			
5	92	83	77	73	90	82	77	72	80	75	72	79	74	71	77	73	70	69			
6	87	78	72	67	85	77	71	67	75	70	67	74	69	66	73	69	66	64			
7	82	73	67	62	81	72	66	62	71	66	62	70	65	62	69	64	61	60			
8	78	68	62	58	77	68	62	58	67	62	58	66	61	58	65	60	57	56			
9	74	64	58	54	73	64	58	54	63	58	54	62	57	54	61	57	54	52			
10	71	61	55	51	70	60	55	51	60	54	51	59	54	51	58	54	50	49			

NOTE: Floor Cavity Reflectance: 20%

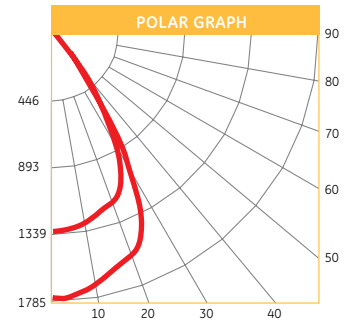


## Candlepower Summary

Angle	NOMINAL MODULE LUMENS				
	1000	1500	2000	3000	4000
0	935	1380	1869	2804	3670
5	928	1370	1856	2784	3643
10	898	1325	1795	2693	3524
15	860	1269	1720	2579	3376
20	832	1228	1664	2496	3267
25	731	1079	1462	2193	2870
30	481	710	962	1443	1889
35	244	360	487	731	957
40	114	169	229	343	449
45	49	72	97	146	191
50	24	36	49	73	95
55	12	18	24	37	48
60	7	10	13	20	26

## Zonal Lumen Summary

Zone	NOMINAL MODULE LUMENS					% of Fixture
	1000	1500	2000	3000	4000	
0-30°	671	991	1343	2014	2636	69.5
0-40°	891	1315	1782	2673	3498	92.2
0-60°	959	1415	1918	2877	3765	99.2
0-90°	967	1427	1934	2901	3796	100



## Cone of Light

Height	NOMINAL MODULE LUMENS					Dia. (ft.)
	1000	1500	2000	3000	4000	
6'	26	38	52	78	102	6.9
8'	15	22	29	44	57	9.2
10'	9	14	19	28	37	11.5
12'	6	10	13	19	25	13.9
14'	5	7	10	14	19	16.2
16'	4	5	7	11	14	18.5
18'	3	4	6	9	11	20.8
20'	2	3	5	7	9	23.1

## Application Reference (Open Space)

Spacing	NOMINAL MODULE LUMENS									
	1000		1500		2000		3000		4000	
	Avg. fc	W/ft²	Avg. fc	W/ft²	Avg. fc	W/ft²	Avg. fc	W/ft²	Avg. fc	W/ft²
4' x 4'	60.4	1.08	89.1	1.50	120.8	1.92	154.4	2.58	202.0	3.36
6' x 6'	28.2	0.50	41.6	0.70	56.4	0.90	72.0	1.20	94.3	1.57
8' x 8'	15.1	0.27	22.3	0.38	30.2	0.48	38.6	0.65	50.5	0.84
10' x 10'	10.1	0.18	14.9	0.25	20.1	0.32	25.7	0.43	33.7	0.56
	10' ceiling, Open Space: 50' x 40' x 10'					20' ceiling, Open Space 50' x 40' x 20'				

LLF: 1.0 Initial, 80/50/20 Reflectances, 2.5' workplane

## Application Reference (Corridor)

Spacing	NOMINAL MODULE LUMENS									
	1000		1500		2000		3000		4000	
	Avg. fc	W/ft²	Avg. fc	W/ft²	Avg. fc	W/ft²	Avg. fc	W/ft²	Avg. fc	W/ft²
4' on ctr.	26.1	0.75	38.6	1.04	52.2	1.33	49.7	1.79	65.1	2.33
6' on ctr.	17.8	0.51	26.2	0.71	35.5	0.91	33.8	1.22	44.3	1.59
8' on ctr.	12.5	0.36	18.5	0.50	25.1	0.64	23.9	0.86	31.2	1.12
10' on ctr.	10.4	0.30	15.4	0.42	20.9	0.53	19.9	0.72	26.0	0.93
	10' ceiling, Corridor: 6'W x 100'L					20' ceiling, Corridor 6' W x 100'L				

LLF: 1.0 Initial, 80/50/20 Reflectances, Light levels on the ground

Spacing Criteria: DI6S - Wide = 1.02

# Typical Specification: Lumination™ LDX Series

## LED & Optical Assembly

**LDX Module:** Replaceable, interchangeable light engine module affords ability to change CCT in the field. Glare-reducing polycarbonate engineered diffuser enhances ceiling aesthetics while maximizing efficiency

	STANDARD	TriGain™	reveal™
CRI	82	90	90
R9	5	96	79

**Color Consistency:** 4-Step MacAdam Ellipse

**Rated Lumen Depreciation:**

Standard L85 = 50,000 hrs

TriGain™ L70 = 60,000 hrs

**TM-21 Calculation at 25C:**

Standard calculated L90 = 49,000 hours

Standard calculated L70 = 125,000 hours

## Electrical

**Input Voltage:** 120V, 277V or 347V

**Input Frequency:** 50/60Hz

**System Power Factor (PF):** >0.9\*

**Total Harmonic Distortion (THD):** <20%\*

**LED Driver Type:** Class 2

**Forward Voltage (Vf) Range:** 36 VDC

\* PF and THD may vary with options



## Ratings & Evaluations

**Operating Temperature:** -20°C to +35°C

**Storage Temperature:** -40°C to +70°C

**Surge Protection:** ANSI C82.77 Compliant

**Location:** Damp Rated

**Safety:** UL/cUL Listed Non-IC  

**Environmental:** RoHS compliant

## Construction & Finish

**Housing:** Galvanized steel and aluminum

**Paint:** Powdercoat painted reflector options

**Weight:** 7.0 lbs. (3.2kg) Standard Option

## Controls

**Standard Dimming:** 0-10VDC [ANSI C137.x] compliant

**Minimum Dimming:** Standard 0-10V dims down to 10%

**Phase Dimming:** 120V forward-phase dimming driver options available (dims to 10%)

**Wireless Networking & Sensing:** ZigBee Wireless Daintree enabled with No Sensor – Controls option “TQ”

## Mounting

**Typical Mounting:** Hanger bars (BH3 - 94890) for T-grid

**Wiring Access:** ½” trade-size KOs on a removable access plate provided

## Accessories & Options

**Optional Chicago Plenum:** Openings in recessed fixture sealed per requirements for CCEA.

## Reflector Options

**Trimless:** Allows for seamless, clean ceiling look

## Design Life & Warranty

**Reliability Testing:** Components and/or systems evaluation at extreme conditions such as extended exposure to high temperature and high humidity and monitored during production using GE best-in-class six sigma quality controls.

**System Warranty:** 5 Years

**Luminaire Design Lifetime:** 5 Years

**Driver Design Lifetime:** 5 Years

**current**  
powered by GE

All trademarks are the property of their respective owners. Information provided is subject to change without notice. All values are design or typical values when measured under laboratory conditions. Current, powered by GE is a business of the General Electric Company.  
© 2018 GE.

