

# Lumination™ LED Luminaires

LED Suspended Retrofit Kit  
LUR Series



Project name \_\_\_\_\_  
Date \_\_\_\_\_  
Type \_\_\_\_\_

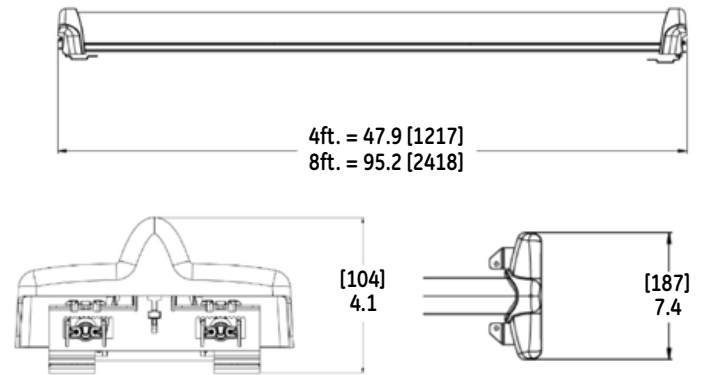
## Product Description:

GE Lumination™ LED fixtures with reveal® TriGain™ technology - LUR Series retrofit kits are designed to offer lighting designers enhanced CRI and R9 without sacrificing efficiency. With CRI and R9 greater than 90, these fixtures optimally display objects like produce, fabric, skin tones and artwork – all with a remarkable efficiency, quick install, reduced maintenance and operating costs.

## Performance Summary:

**Light Output Range:** 3,000-12,000 lumens  
**CRI:** TriGain (90 CRI), Mixed (85 CRI) and Standard (80 CRI)  
**CCT:** 3500K/4000K/5000K  
**Input Voltage:** 120 - 277V  
**Wattage Range:** 20.5 - 95 watts  
**LPW Range:** 127 - 148 LPW  
**Rated Luminaire Lumen Depreciation:**  
 - L70 @ 90,000 hours for Trigain (CRI=T) and Mixed (CRI=M)  
 - L85 @ 75,000 hours for 80CRI (CRI=8)  
**Limited Warranty:** 5 Years  
**Removable Light Engine:** Standard

## Product Dimensions:



Certified by: DLC Standard qualified models available. Please refer to <http://www.designlights.org/QPL> for complete information.

## Ordering Information:

FAMILY	FIXTURE TYPE	GENERATION	VOLTAGE	NOMINAL LUMENS	DISTRIBUTION	CRI/CCT	CONTROLS	MOUNTING	FINISH	RETROFIT BRACKETS	OPTIONS
<b>LUR</b> = Ultra Suspended	<b>I4</b> = Individual 4ft <b>I8</b> = Individual 8ft <b>D8</b> = 2 x 4ft Light Engine + 1 Power Supply	<b>A</b> = 1st Gen	<b>0</b> = 120-277V	<b>4FT ONLY (I4):</b> 30 = 3000 Lumens 42 = 4200 Lumens 52 = 5200 Lumens 62 = 6200 Lumens <b>8FT ONLY (I8/D8)</b> 60 = 6000 Lumens 84 = 8400 Lumens A0 = 10400 Lumens A2 = 12000 Lumens	<b>A1</b> = Aisle <b>W1</b> = Wide <b>V1</b> = Very Wide	<b>835</b> = 80CRI, 3500K <b>840</b> = 80CRI, 4000K <b>850</b> = 80CRI, 5000K <b>T35</b> = TriGain, 3500K <b>T40</b> = TriGain, 4000K <b>M40*</b> = 85 CRI, 4000K  * - Only Available with lumen code: A0 & 52	<b>VQ</b> = 0-10V	<b>CS</b> = Suspended <b>RC</b> = Recessed	<b>WHITE</b> = White	<b>DWF1*</b> = All brackets retrofit <b>GEN1</b> = Genlite retrofit <b>LIT1</b> = Lithonia retrofit <b>LSI1</b> = LSI retrofit <b>SIN1</b> = Single tomb retrofit <b>VSL1</b> = V-Harris retrofit <b>STF1</b> = Strip Fixture & DayBright <b>STF2</b> = Strip Fixture, Bendable <b>WGN4</b> = Recessed Fixture <b>WGN8</b> = No tombstone bracket  * - Only available with option (SP) Please see final page for fixture compatibility & dimensions	<b>SP</b> = Single Pack

LENGTH	LUMEN CODE	CRI/CTT	LUMENS	POWER	LPW	NOTES
4 ft. Only	30	840	3000	20.5	146	- 80 CRI -Lumen Multiplier = 0.97 for CCT 3500K -Lumen Multiplier = 1.02 for CCT 5000K
	42	840	4200	29	145	
	52	840	5200	36	144	
	62	840	6200	44	141	
8 ft. Only	60	840	6000	40	148	
	84	840	8400	57	147	
	A0	840	10400	72	144	
4 ft. Only	A2	840	12500	91	137	
	42	T40	4200	32	130	- 90 CRI-Lumen Multiplier = 1.00 for CCT 3500K
52	T40	5200	39	130		
8 ft. Only	84	T40	8400	66	127	
	A0	T40	10400	80	127	
4 ft. Only	52	M40	5200	36	144	- 85CRI Only.
8 ft. Only	A0	M40	10400	73	142	Available in 4000K



**current**  
powered by GE



# Product Specifications

## LED & Optical

**CRI:** 8 = 80, M = 85, TriGain 90  
**R9:** 8 = 7, M = 25, and T = 90  
**Color Consistency:** 4-Step MacAdam Ellipse  
**Rated Lumen Depreciation:**

- L70 @ 90,000 hours for Trigain and Mixed
- L85 @ 75,000 hours for 80CRI



**TM-21 Calculation at 25C:**

- 80 CRI L85=75,000 hrs.
- 90 CRI L70 =90,000 hrs.

## Electrical

**Input Voltage:** 120-277 VAC  
**Input Frequency:** 50/60Hz  
**System Power Factor (PF):** >0.9  
**Total Harmonic Distortion (THD):** <20%  
**LED Driver Type:** Class 2  
**Forward Voltage (Vf) Range:** 44-50 VDC

## Ratings & Evaluations

**Operating Temperature:** -10°C to +30°C  
**Storage Temperature:** [-40°C to +70°C]  
**Surge Protection:** ANSI C82.77 Complaint  
**Location:** Dry or Damp  
**Safety:** /  Listed  
**Environmental:** RoHS compliant  
**Utility:** NA

## Construction & Finish

**Housing:** Aluminum  
**Lensing:** Acrylic  
**Weight:** <15 lbs (8-ft)

## Design Life & Warranty

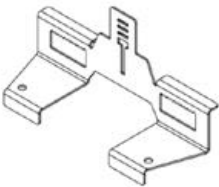
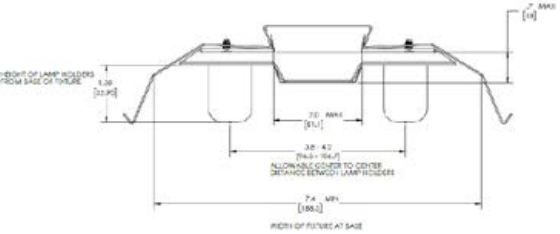
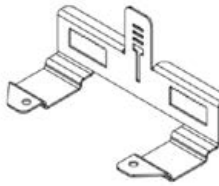
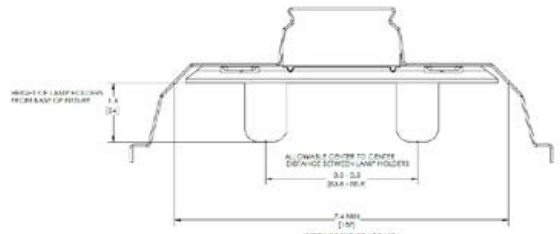
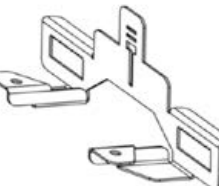
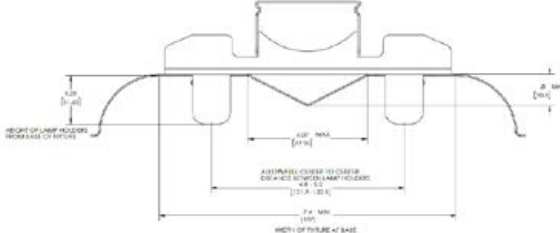
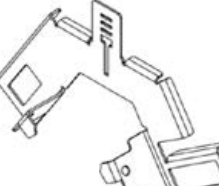
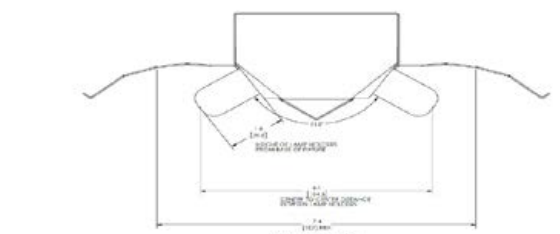
**System Warranty:** 5 Year  
**Reliability Testing:** components and/or systems evaluation at extreme conditions and monitored during production

## Controls

**Standard Dimming:** 0-10VDC  
**Minimum Dimming:** 10 % of maximum light

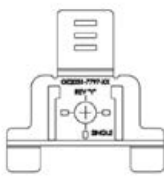
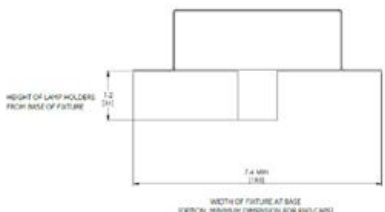
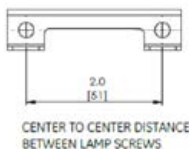
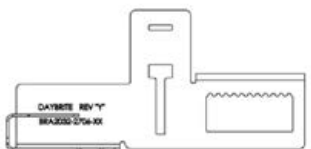
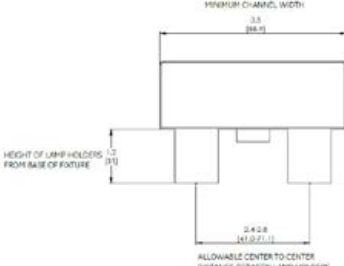
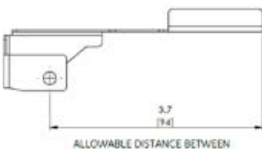
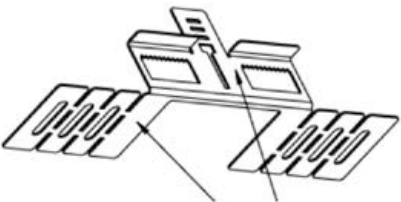
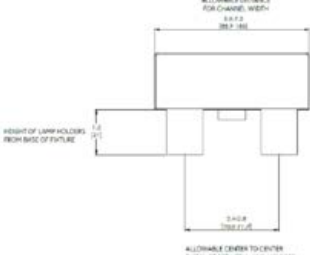
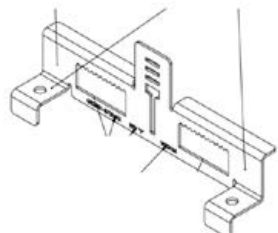
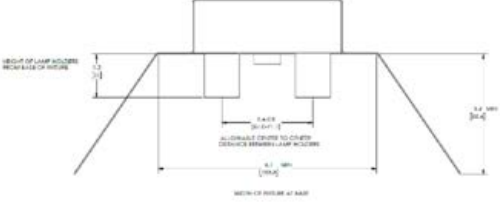
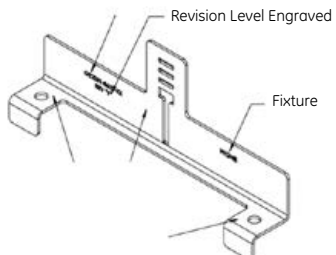



# Brackets Review

OPTIONS	BRACKET DESIGN	BRACKET LIMITS
<p><b>GEN1</b> = Genlyte Retrofit                      Design optimized for                      Model No.  <b>791230001</b></p>		
<p><b>LIT1</b> = Lithonia Retrofit                      Design optimized for                      Model No.  <b>TMSH82321/4US10ISPLR330</b></p>		
<p><b>LSI1</b> = LSI Retrofit                      Design optimized for                      Model No.  <b>WM232 TYPE22 LSI277</b></p>		
<p><b>VSL1</b> = Harris Retrofit                      Design optimized for                      Model No.</p>		

**Note:** Bracket Limit's PDF drawing are located under "design Files" on the LUR Series website.

# Brackets Review

OPTIONS	BRACKET DESIGN	BRACKET LIMITS
<p><b>SIN1</b> = Single Tombstone</p>		  <p>CENTER TO CENTER DISTANCE BETWEEN LAMP SCREWS</p>
<p><b>STF1</b> = Strip Fixture 1 &amp; Daybrite</p>		  <p>ALLOWABLE DISTANCE BETWEEN LAMP SCREW AND TOMBSTONE</p>
<p><b>STF2</b> = Strip Fixture 2 Bendable Side</p>		 <p>ALLOWABLE CENTER TO CENTER DISTANCE BETWEEN LAMP HOLDERS</p>
<p><b>WGN4</b> = Recessed Fixture</p>		 <p>WIDTH OF FIXTURE AT BASE</p>
<p><b>WGN8</b> = No Tombstone Bracket</p>		 <p>WIDTH OF FIXTURE AT BASE</p>

**Note:** Bracket Limit's PDF drawing are located under "design Files" on the LUR Series website.



All trademarks are the property of their respective owners. Information provided is subject to change without notice. All values are design or typical values when measured under laboratory conditions. Current, powered by GE is a business of the General Electric Company. © 2018 GE.

