

Lumination™ LED Luminaires

LED Recessed Luminaire
LBR24 Series - Backlit Recessed



Project name _____
Date _____
Type _____

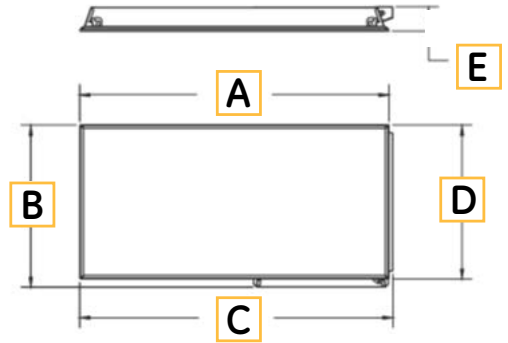
Product Description:

GE Lumination™ LBR Series Recessed LED Luminaires are for commercial ceilings providing high uniformity, excellent efficiency and reduced glare for T-grid ceiling applications. The lumen maintenance of greater than L85 at 50,000 hours operation, allows for lower maintenance costs. With access to the power supply through a drop down door frame, it is suitable for indoor general lighting for both new construction and retrofit luminaire replacements. The uniform light across the lens offers a distinctive, better look than traditional LED “two strip troffers”. Because of the thin frame, this luminaire fills the ceiling grid square with “light.” End users can see the difference and enjoy the fresh new look of an LED luminaire.

Performance Summary:

Light Output Range: 3000-7200 lumens
CRI: 80+, R9 >0
CCT: 3500K/4000K/5000K
Efficacy: 123-130 LPW
Input Voltage: 120-277V, 347V
Wattage Range: 23.0-58.5 watts
Rated Luminaire Lumen Depreciation: L85@50,000 hours
Limited Warranty: 5 Years

Product Dimensions:



A = 47.78in (1214mm)
B = 25.08in (637mm)
C = 48.38in (1229mm)
D = 23.82in (605mm)
E = 3.76in (96mm)

Certified by:

a product of



Please refer to the DLC QPL website for the latest and most complete information.
www.designlights.org/QPL

Ordering Information:

LBR **24** **A** **XX** **MM** **LT** **WHITE**

FAMILY	FIXTURE TYPE	GENERATION	VOLTAGE	NOMINAL LUMENS	DISTRIBUTION	CRI/CCT	CONTROLS	MOUNTING	FINISH	OPTIONS
LBR = Lumination Backlit T-Grid	24 = 2' x 4'	A = 1st Generation	0 = 120-277V D = 347V	XX = Nominal Lumen Level	MM = Med. Lambertian	835 = 80CRI, 3500K 840 = 80CRI, 4000K 850 = 80CRI, 5000K ¹		LT = T-Grid	WHITE = White	(blank) = None CP = Chicago Plenum EL = Emergency Light B2 = Emergency Bypass ³ - Dual Shunt Relay to be used with building generator backup systems to override dimming

EXAMPLE CONFIGURATIONS	LUMINAIRE LUMENS	LUMINAIRE TOTAL SYSTEM WATTS	LUMINAIRE LPW ⁵
LBR24A030MM835VQLTWHITE	3000	23.0	130
LBR24A040MM835VQLTWHITE	4000	31.0	129
LBR24A048MM835VQLTWHITE	4800	37.0	130
LBR24A060MM835VQLTWHITE	6000	47.5	126
LBR24A072MM835VQLTWHITE	7200	58.5	123
LBR24A030MM840VQLTWHITE	3000	23.0	130
LBR24A040MM840VQLTWHITE	4000	31.0	129
LBR24A048MM840VQLTWHITE	4800	37.0	130
LBR24A060MM840VQLTWHITE	6000	47.5	126
LBR24A072MM840VQLTWHITE	7200	58.5	123
LBR24A030MM850VQLTWHITE	3000	23.0	130
LBR24A040MM850VQLTWHITE	4000	31.0	129
LBR24A048MM850VQLTWHITE	4800	37.0	130
LBR24A060MM850VQLTWHITE	6000	47.5	126
LBR24A072MM850VQLTWHITE	7200	58.5	123

CONTROL OPTIONS	DESCRIPTIONS	REF DOCUMENT
VQ	0-10v Dimming	N/A
TQ	Daintree Enterprise Wireless Enabled ²	
TS	Daintree Enterprise Wireless Enabled with Daintree WFA100	
TZ	Daintree Enterprise Wireless with fixture integrated sensor	
TT	Daintree EZ Connect Wireless with fixture integrated sensor	
T1	Daintree One with fixture integrated sensor with factory programmed preset ⁴	
SQ	Digital Input Driver (does not have 0-10v input) that uses a field installed accessory (in the ceiling -not the fixture) that is Daintree compatible such as Daintree One, EZ Connect or Enterprise sensors	

Ordering Notes:

- Contact manufacturer for lead times
- Most commonly ordered for Daintree Enterprise Wireless Enabled
- EL option not available in 347V
- Contact manufacturer prior to ordering to confirm application
- Most Standard base SKU's are DLC, there are exceptions for 347V and EL for meeting PF and/or THD results. Please check the DLC QPL.

ACCESSORIES	DESCRIPTION CODE	PRODUCT CODE
Drywall mount Kit 2' x 4'	GESK11	69523
2' x 4' Surface Mount kit for Backlit T-grid	B24 SMK	212463

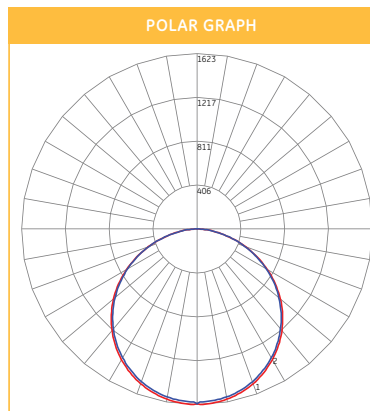
current
powered by GE



Photometric Data: LBR24 Series - Backlit Recessed

ZONAL LUMEN SUMMARY	
Zone	Lumens
0-10	152.90
10-20	439.93
20-30	671.40
30-40	817.35
40-50	857.94
50-60	785.02
60-70	606.73
70-80	355.72
80-90	105.15
90-100	1.67
100-110	0.91
110-120	0.91
120-130	0.92
130-140	0.97
140-150	0.94
150-160	0.80
160-170	0.53
170-180	0.19

ZONAL LUMEN SUMMARY			
Zone	Lumens	% of Lamp	% of Fixture
0-20	592.83	N.A.	12.40
0-30	1264.23	N.A.	26.30
0-40	2081.58	N.A.	43.40
0-60	3724.54	N.A.	77.60
0-80	4686.99	N.A.	97.60
0-90	4792.14	N.A.	99.80
10-90	4639.24	N.A.	96.70
20-40	1488.75	N.A.	31.00
20-50	2346.69	N.A.	48.90
40-70	2249.69	N.A.	46.90
60-80	962.45	N.A.	20.10
70-80	355.72	N.A.	7.40
80-90	105.15	N.A.	2.20
90-110	2.58	N.A.	0.10
90-120	3.50	N.A.	0.10
90-130	4.42	N.A.	0.10
90-150	6.33	N.A.	0.10
90-180	7.85	N.A.	0.20
110-180	5.27	N.A.	0.10
0-180	4799.99	N.A.	100.00



Product Specifications:

LED & Optical:

CRIa: >80
R9: >0
Color Consistency: Central limit 4-Step MacAdam Ellipse with LED recipe approach for tight unit to unit color control
Rated Luminaire Lumen Depreciation: L85@50,000 Hours
TM-21 LED Data:
Calculated: L70 >100,000 hrs
Reported: L85 >60,000 hrs
Distribution: Medium Lambertian

Electrical:

Input Voltage: 120-277, 347 VAC
Input Frequency: 50/60Hz
System Power Factor (PF): >0.9*
Total Harmonic Distortion (THD): <20%*
LED Driver Type: Class 2
** PF and THD may vary with options*

Ratings and Evaluations:

Operating Temperature: -20°C to +35°C
Storage Temperature: -40°C to +70°C
Surge Protection: ANSI C82.77 Compliant
Location: Damp
Safety: UL/CUL Listed
Environmental: RoHS compliant
Utility: DLC™ Qualified Product Listed, check www.designlights.org/QPL for specific products

Construction & Finish:

Housing: Durable, long lasting bezel construction. Steel, electrogalvanized, cold-rolled, commercial quality.
Lensing: Precision formed optical assembly drop down door with access to the power supply from underneath the ceiling plane comprised of high specularly reflective paint.
Paint: Post painted powder coat finish on housing
Weight: <16 pounds

Design Life & Warranty:

System Warranty: 5 Year
Luminaire Design Lifetime: >10 Years
Driver Design Lifetime: >10 year life of continuous operation, >100,000 hour design parameters
Reliability Testing: Components and systems evaluation

Controls:

Standard Dimming: 0-10VDC ANSI C137.x compliant
Minimum Dimming: 10% of rated lumen LED drive current. Contact manufacturer for other available options.
Optional Dimming: Contact Manufacturer
Wireless Networking and Sensing Devices: *
Daintree One: Wireless fixture integrated sensor that is perfect for single fixtures or small area applications. Standalone wireless lighting controls that work independently. Comes preset from the factory, yet can be upgraded to Daintree EZ Connect and/or Daintree Enterprise in the future. Factory preset to shut off 20 minutes after the space is vacated of occupants. Daylight harvesting preset enabled on.
Daintree EZ Connect: Wireless fixture integrated sensor that is designed for room based controls where a group of fixtures communicate to each other and communicate wirelessly in chorus as a system. The advantage is simple, minimal field based commissioning. Factory preset to shut off 20 minutes after the space is vacated of occupants. No daylight harvesting set in initial preset. EZ Connect wireless lighting controls are set up and/or can be changed by the Daintree EZ Connect application that can be downloaded via a smart device.
Daintree Enterprise: Wireless fixture integrated sensor technology that is ideal for multi-site lighting system management. System requires software and commissioning. Monitor multiple controls, lighting, energy, HVAC with unlimited potential for other (3rd party) sensor integration. "Open on the bottom" means that ZigBee communication protocol is an industry standard with countless wireless hardware sensing options. "Open on the top" means that the data from the sensors can be used by any 3rd party software supplier/developer, be it part of a complete BMS system or simple API (Application Programming Interface or "App"). Daintree Enterprise offers a complete future proof solution from any Daintree enabled installed base of fixtures.
Power Addition for Controls: <2 watts
** Contact Factory for specific option availability*

OPTIONS (Listed alphanumerically)

(blank) = None
CP = ChicagoPlenum
EL = Emergency Light³
B2 = Emergency Bypass³-Dual Shunt Relay to be used with building generator back up systems to override dimming

Mounting:

Typical Mounting: Fits standard T-Bar grid (drop ceilings)
Wiring Access: ½" trade-size KO's on a removable access plate provided
T-grid Clips: T-grid clips included, with holes for seismic wires
Surface Mounting: Surface mount kit available.

Accessories & Options:

Optional Emergency Battery: Provides 90-minutes of Emergency lighting. **Note,** EL option is not available with 347V option. Initial design lumen output: 1400 lumens.
Optional Chicago Plenum: Openings in recessed fixture sealed per requirements for CCEA

For more information and access to all of our resources, including our design tool visit: www.gelighting.com

current
powered by GE

All trademarks are the property of their respective owners. Information provided is subject to change without notice. All values are design or typical values when measured under laboratory conditions. Current, powered by GE is a business of the General Electric Company.
© 2018 GE.

